

6

5

4

3

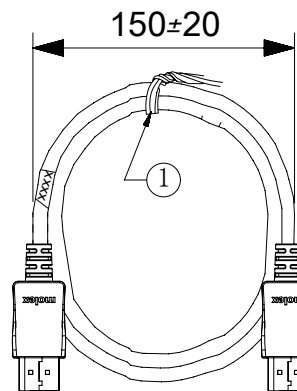
2

1

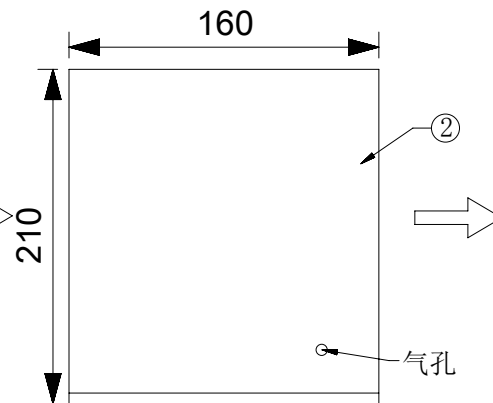
REVISIONS				
EC NO	DATE	REV	DESCRIPTION	CHANGER
	2018/12/20	A	INITIAL RELEASE	DLI50
NA	2019/01/18	A2	ADD PACKING METHOD 6	DLI50
NA	2019/03/28	B1	UPDATE PACKAGE METHOD PER ACTUAL PACKAGE	DLI50

装箱方式:

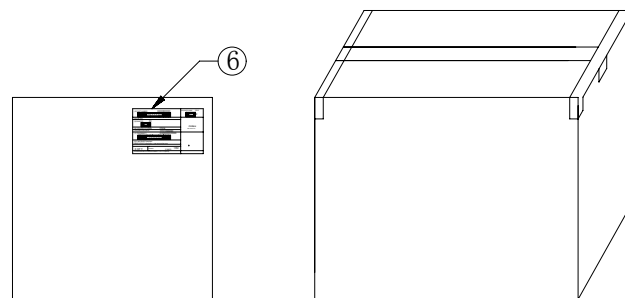
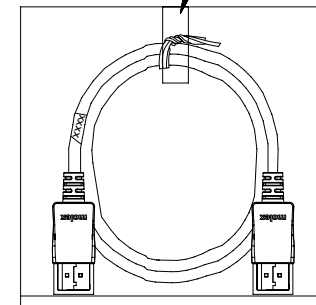
1. 如上图扎线
2. 将检验好的产品单条装入PE袋内, PE袋多出部分反折用小透明胶纸沾起来;
3. 先在箱内放一个防水袋和一块隔板, 将产品整齐摆放于箱内, 20PCS一层, 层与层之间用隔板隔开, 一箱装40PCS, 放一包干燥剂, 最上面一层再放一块隔板;
4. 将防水袋折叠好, 用透明胶纸封口
5. 用封箱胶纸以工字型封箱;
6. 在外箱其中一侧唛右上角贴一出货标签
7. 外箱贴UL标签.



绕线圈数: 上5圈, 下4圈



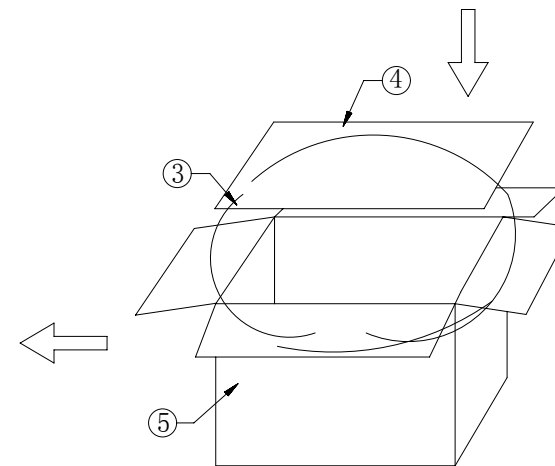
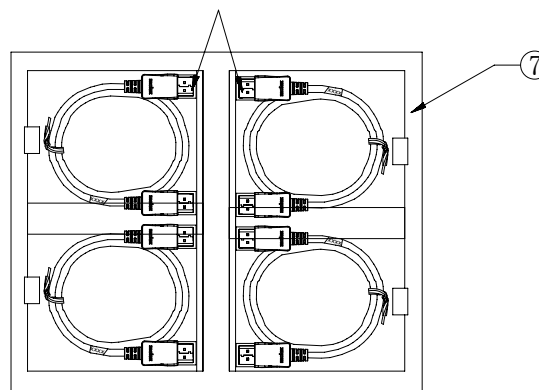
PE袋多出部分反折
用小透明胶纸沾起来



侧唛

正唛

摆放时, PE袋折叠面朝下, 插头对插头摆放



7	干燥剂	干燥剂	1/40
6	标签	空白铜版白贴纸:L127*W76mm	1/40
5	纸箱	纸箱: L385*W285*H200mm 材质(K=K) 红色印字	1/40
4	隔板	隔板: 368*270*3mm 材质(B33)	3/40
3	防水袋	防水袋L915mm*W813mm*0.04mm (813为开口方)	1/40
2	PE袋	PE袋: L210mm*W160mm*0.08mm (160mm为开口方) 无印字有气孔	1
1	扎带	椭圆形PE, 黑色有芯扎带 L=100mm	1
序号	零件名称	规格说明	数量

SYMBOLS										THIS DRAWING CONTAINS INFORMATION THAT IS PROPRIETARY TO MOLEX ELECTRONIC TECHNOLOGIES, LLC AND SHOULD NOT BE USED WITHOUT WRITTEN PERMISSION									
DIMENSION UNITS		SCALE		CURRENT REV DESC:				molex											
∇ = 0	mm	1:1	GENERAL TOLERANCES (UNLESS SPECIFIED)				DISPLAYPORT TO DISPLAYPORT1.3 2M W LATCH												
E = 0	ANGULAR TOL ± °			EC NO: 614529				DOCUMENT NUMBER											
F = 0	4 PLACES ±			DRWN: DLI50 2019/03/28				687830079											
S = 0	3 PLACES ±			CHK'D: DLI50 2019/03/28				DOC TYPE DOC PART REVISION											
▽ = 0	2 PLACES ±			APPR: CLAN01 2019/04/10				PDD PK B1											
▽ = 0	1 PLACE ±			INITIAL REVISION:				MATERIAL NUMBER CUSTOMER SHEET NUMBER											
⊠ = 0	0 PLACES ±			DRWN: DLI50 2018/12/21				68783 687830079											
■ = 0	DRAFT WHERE APPLICABLE			THIRD ANGLE PROJECTION		DRAWING		SERIES		MATERIAL NUMBER		CUSTOMER		SHEET NUMBER					
▽ = 0	MUST REMAIN WITHIN DIMENSIONS			A4-SIZE		68783		687830079		1		1 OF 1							

DOCUMENT STATUS P1 RELEASE DATE 2019/04/10 07:52:36

6

5

4

3

2

1