

PLEASE CHECK WWW.MOLEX.COM FOR LATEST PART INFORMATION

Part Number: [70551-0079](#)
Status: **Active**
Overview: [SL™ Modular Connectors](#)
Description: 2.54mm Pitch SL™ Header, Single Row, Right Angle, 3.05mm Pocket, Shrouded, with Beveled Plastic Peg, 10 Circuits, 0.76µm Gold (Au) Selective Plating, Tin (Sn) PC Tail Plating

Documents:

3D Model	Product Specification PS-70541 (PDF)
Drawing (PDF)	RoHS Certificate of Compliance (PDF)
Product Specification PS-70400 (PDF)	

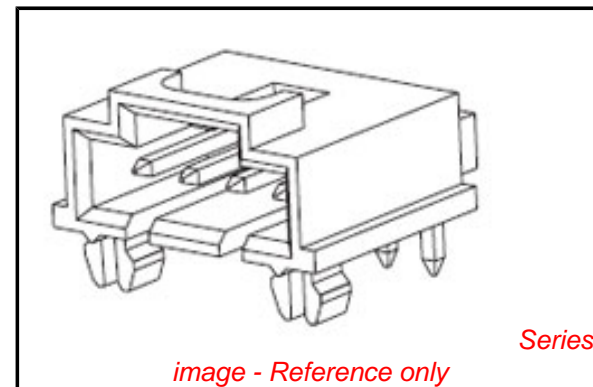


image - Reference only

Agency Certification

CSA	LR19980
UL	E29179

General

Product Family	PCB Headers
Series	70551
Application	Signal, Wire-to-Board
Overview	SL™ Modular Connectors
Product Name	SL™

Physical

Breakaway	No
Circuits (Loaded)	10
Circuits (maximum)	10
Color - Resin	Black
Durability (mating cycles max)	50
First Mate / Last Break	No
Flammability	94V-0
Glow-Wire Compliant	No
Guide to Mating Part	No
Keying to Mating Part	None
Lock to Mating Part	Yes
Material - Metal	Brass, Phosphor Bronze
Material - Plating Mating	Gold
Material - Plating Termination	Tin
Material - Resin	High Temperature Thermoplastic
Number of Rows	1
Orientation	Right Angle
PC Tail Length	3.30mm
PCB Locator	Yes
PCB Retention	Yes
PCB Thickness - Recommended	1.60mm
Packaging Type	Tube
Pitch - Mating Interface	2.54mm
Plating min - Mating	0.762µm
Plating min - Termination	1.905µm
Polarized to Mating Part	Yes
Shrouded	Fully
Stackable	No
Temperature Range - Operating	-40°C to +105°C
Termination Interface: Style	Through Hole

Electrical

EU RoHS

ELV and RoHS Compliant
REACH SVHC Not Reviewed
Low-Halogen Status Not Reviewed

China RoHS



Need more information on product environmental compliance?

Email productcompliance@molex.com
 For a multiple part number RoHS Certificate of Compliance, [click here](#)

Please visit the [Contact Us](#) section for any non-product compliance questions.

Search Parts in this Series

[70551Series](#)

Mates With

SL™ Crimp Housing [70066](#) , [70430](#) , [70400](#)

Current - Maximum per Contact
Voltage - Maximum

3A
250V

Material Info

UPC

800754054928

Reference - Drawing Numbers

Product Specification
Sales Drawing

PS-70400, PS-70541
SDA-70551-****

This document was generated on 07/18/2012

PLEASE CHECK WWW.MOLEX.COM FOR LATEST PART INFORMATION