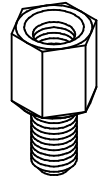
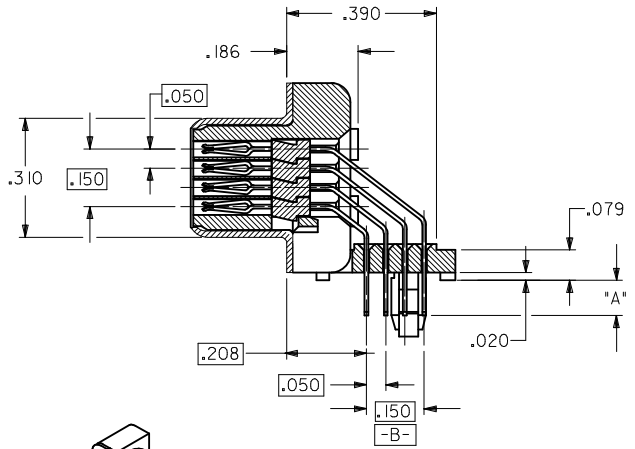
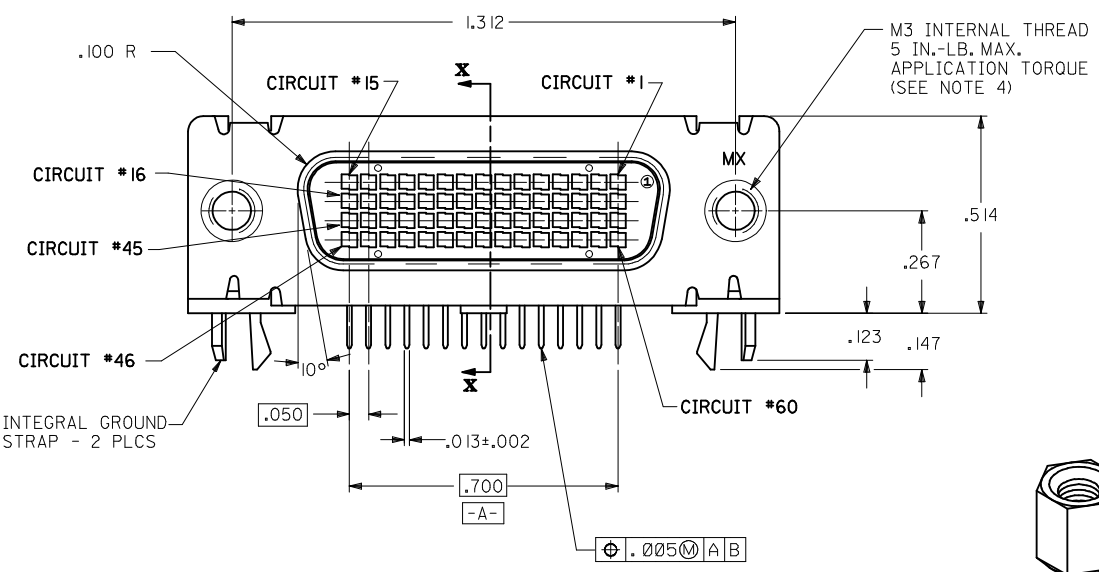
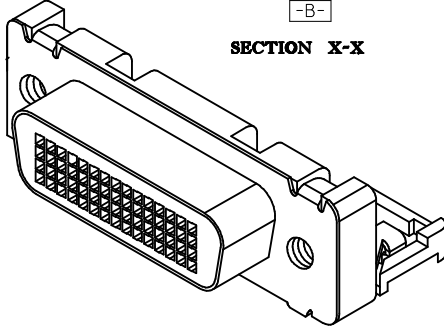


ITEM NUMBER	DIMENSION "A"	PLATING (SEE NOTE 2)	HEXAGONAL SCREWLOCKS PACKAGED WITH CONNECTORS	SCREWLOCK ITEM NUMBER (SEE SD-70982-****)	PACKAGING PER PACKAGING SPECIFICATION
70928-2000	.079±.010	30 GOLD	NO	_____	PK-70873-0291
70928-2001	.092±.010	30 GOLD	NO	_____	PK-70873-0291
70928-2002	.104±.010	30 GOLD	NO	_____	PK-70873-0291
70928-2003	.079±.010	30 GOLD	YES	70982-1003; 4-40 INTERNAL THD	PK-70873-0686
70928-2005	.079±.010	30 GOLD	YES	70982-1004; M-3 INTERNAL THD	PK-70873-0686
70928-2007	.125±.010	30 GOLD	NO	_____	PK-70873-0291
70928-2008	.092±.010	30 GOLD	YES	70982-1003; 4-40 INTERNAL THD	PK-70873-0686
70928-2009	.092±.010	GOLD FLASH	NO	_____	PK-70873-0291
70928-2010	.092±.010	GOLD FLASH	YES	70982-1003; 4-40 INTERNAL THD	PK-70873-0686



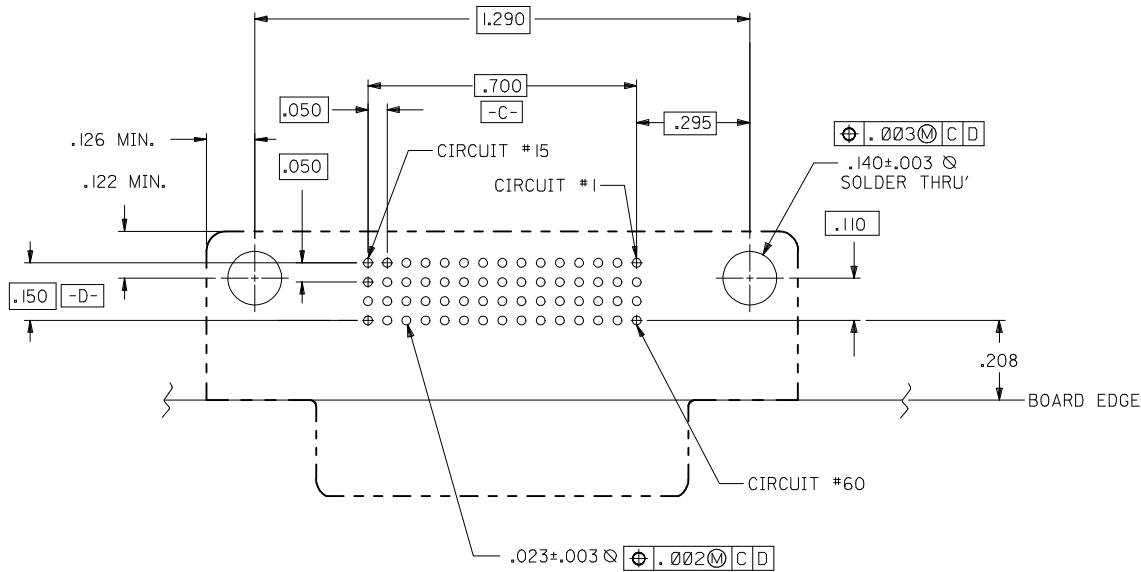
OPTIONAL HEXAGONAL SCREWLOCK



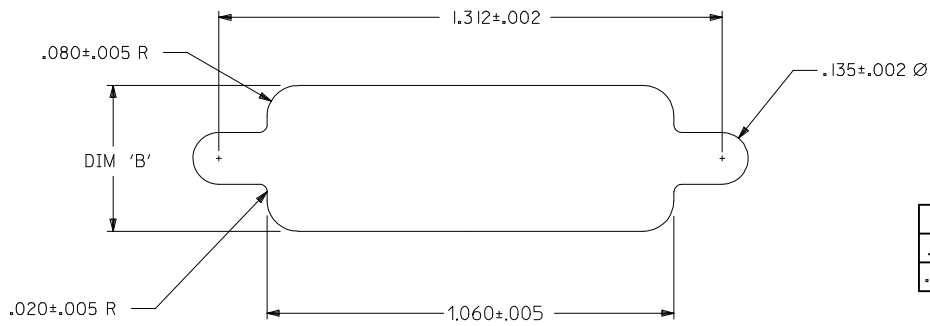
SECTION X-X

NOTES:  
 1) MATERIALS:  
 HOUSING AND MOLDED STICK: GLASS FILLED POLYMER, 94V-0, COLOR BLACK.  
 TERMINALS: COPPER ALLOY .010±.0005 THICK.  
 OUTER SHELL: DEEP DRAWN STEEL, .016(0.40) THICK.  
 HEXAGONAL SCREWLOCK: STEEL.  
 2) PLATING:  
 TERMINALS (SEE CHART TO DETERMINE WHICH PART NUMBER HAS WHICH PLATING):  
 30 GOLD -- 30 MICRONS(0.76 MICROMETERS) MINIMUM SELECTIVE GOLD (Au) IN THE CONTACT AREA;  
 100 MICRONS(2.54 MICROMETERS) MINIMUM SELECTIVE TIN (Sn) IN PC TAIL AREA;  
 OVER NICKEL (Ni) UNDERPLATE OVERALL.  
 GOLD FLASH -- SELECTIVE GOLD (Au) FLASH IN THE CONTACT AREA;  
 100 MICRONS(2.54 MICROMETERS) MINIMUM SELECTIVE TIN (Sn) IN PC TAIL AREA;  
 OVER NICKEL (Ni) UNDERPLATE OVERALL.  
 OUTERSHELL: 150 MICRONS(3.81 MICROMETERS) MINIMUM TIN (Sn) OVER 50 MICRONS(1.27 MICROMETERS) MINIMUM NICKEL (Ni) OVERALL.  
 3) CONFORMS TO PRODUCT SPECIFICATION PS-70928.  
 4) THREAD GAGE MAY REQUIRE UP TO 1 IN.-LB. OF TORQUE DURING GAGING PROCESS.  
 5) PART COMPLIES WITH CLASS B OF COSMETIC SPECIFICATION PS-45499-002

<b>MOD PANEL CUT-OUT</b> EC NO: UCP2012-0335 DRWING:MORGAN 2011/08/12 CHKD:MPOFF 2014/04/11 APPR:SMILLER 2014/05/12	QUALITY SYMBOLS 	GENERAL TOLERANCES (UNLESS SPECIFIED)		DIMENSION STYLE <b>INCH ONLY</b>		SCALE 4:1	DESIGN UNITS INCH	THIRD ANGLE PROJECTION		
		mm	INCH	DRAWN BY MOS	DATE 1993/02/08	.050" PITCH LFH 60 CKT RIGHT ANGLE I/O RECEPTACLE <b>molex</b>				
		4 PLACES ± .005 ± .010		CHECKED BY CAB	DATE 1993/02/08					
		3 PLACES ± .005 ± .010		APPROVED BY CAB		DATE 1993/02/08	DOCUMENT NO. SDA-70928-20**			
2 PLACES ± 0.25 ± .015		MATERIAL NO. <b>SEE TABLE</b>			SHEET NO. 1 OF 2					
1 PLACE ± 0.38 ± .015		DRAFT WHERE APPLICABLE MUST REMAIN WITHIN DIMENSIONS			THIS DRAWING CONTAINS INFORMATION THAT IS PROPRIETARY TO MOLEX. INCORPORATED AND SHOULD NOT BE USED WITHOUT WRITTEN PERMISSION					
0 PLACE ± .005 ± .010		ANGULAR ±1/2°								



COMPONENT SIDE  
RECOMMENDED P.C.B. LAYOUT



RECOMMENDED PANEL CUT-OUT

DIM. 'B'	PANEL THICKNESS
.400±.005	.039
.420±.005	.064

<b>SEE SHEET 1</b> EC NO: UCP2012-0335 DRWINDMORGAN 2011/08/12 CHKD:MPOFF 2014/04/11 APPR:SMILLER 2014/05/12	QUALITY SYMBOLS 	GENERAL TOLERANCES (UNLESS SPECIFIED) <table border="1"> <thead> <tr> <th></th> <th>mm</th> <th>INCH</th> </tr> </thead> <tbody> <tr> <td>4 PLACES</td> <td>± .---</td> <td>± .---</td> </tr> <tr> <td>3 PLACES</td> <td>± .---</td> <td>± .010</td> </tr> <tr> <td>2 PLACES</td> <td>± 0.25</td> <td>± .015</td> </tr> <tr> <td>1 PLACE</td> <td>± 0.38</td> <td>± .---</td> </tr> <tr> <td>0 PLACE</td> <td>± .---</td> <td>± .---</td> </tr> </tbody> </table>		mm	INCH	4 PLACES	± .---	± .---	3 PLACES	± .---	± .010	2 PLACES	± 0.25	± .015	1 PLACE	± 0.38	± .---	0 PLACE	± .---	± .---	DIMENSION STYLE <b>INCH ONLY</b> DRAWN BY DATE MOS 1993/02/08 CHECKED BY DATE CAB 1993/02/08 APPROVED BY DATE CAB 1993/02/08	SCALE <b>4:1</b> DESIGN UNITS <b>INCH</b> 	TITLE <b>.050" PITCH LFH 60 CKT          RIGHT ANGLE I/O          RECEPTACLE</b> <b>molex</b>
		mm	INCH																				
	4 PLACES	± .---	± .---																				
	3 PLACES	± .---	± .010																				
2 PLACES	± 0.25	± .015																					
1 PLACE	± 0.38	± .---																					
0 PLACE	± .---	± .---																					
		ANGULAR ±1/2° DRAFT WHERE APPLICABLE MUST REMAIN WITHIN DIMENSIONS	MATERIAL NO. <b>SEE TABLE</b>	DOCUMENT NO. <b>SDA-70928-20**</b>	SHEET NO. <b>2 OF 2</b>																		
			THIS DRAWING CONTAINS INFORMATION THAT IS PROPRIETARY TO MOLEX INCORPORATED AND SHOULD NOT BE USED WITHOUT WRITTEN PERMISSION																				