

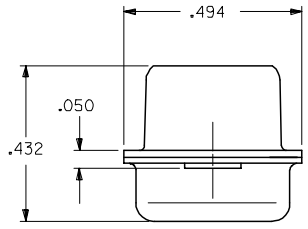
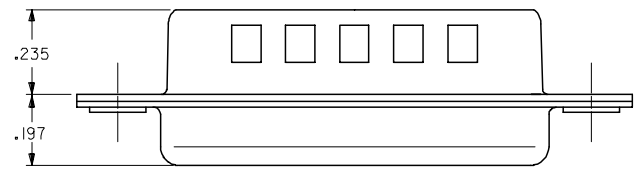
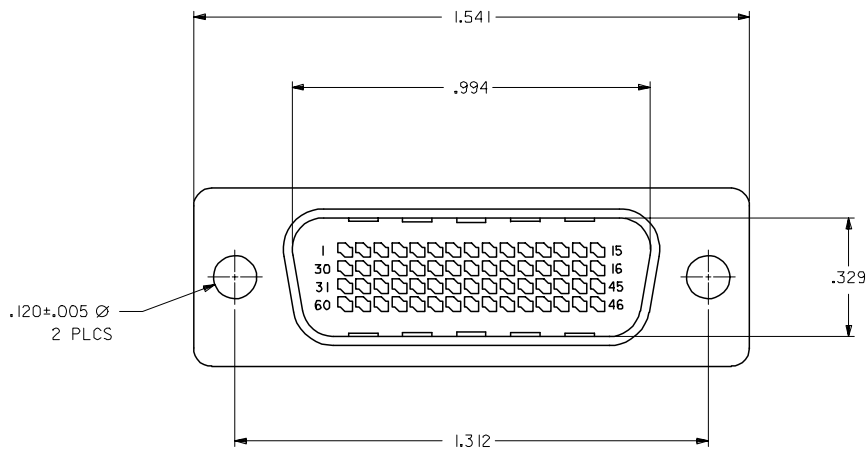
13 12 11 10 9 8 7 6 5 4 3 2 1

J
I
H
G
F
E
D
C
B
A

J
I
H
G
F
E
D
C
B
A

- NOTES:**
- 1) PLASTIC HOUSING:
GLASS FILLED LCP (LIQUID CRYSTAL POLYMER), UL 94 V-0, COLOR: BLACK.
 - 2) FRONT SHELL:
DEEP DRAWN STEEL, .020" THICK;
PLATING: SEE TABLE
BRIGHT TIN: 150-250 MICROINCHES BRIGHT TIN OVER 50-150 MICROINCHES NICKEL OVER COPPER FLASH OVERALL (OPTIONAL).
BRIGHT NICKEL: 100-175 MICROINCHES BRIGHT NICKEL OVER 50 MICROINCHES MAXIMUM COPPER OVERALL.
 - 3) BACK SHELL:
DEEP DRAWN STEEL, .016" THICK;
PLATING: 150-250 MICROINCHES BRIGHT TIN OVER 50-150 MICROINCHES NICKEL OVER COPPER FLASH OVERALL (OPTIONAL).
 - 4) THIS CONNECTOR CONFORMS TO PRODUCT SPECIFICATION PS-70928.
 - 5) PACKAGING SPECIFICATION PK-70873-0236 APPLIES.
 - 6) SEE APPLICATION SPECIFICATION PS-70929 FOR ASSEMBLY AND TERMINATION DETAILS.
 - 7) INSERT-MOLDED TERMINAL STRIP ASSEMBLIES ARE SUPPLIED SEPARATELY (SEE SHEET 2 FOR ORDERING INFORMATION).

NOTE FOR LEAD FREE CONVERSION:
THE PRIMARY SHIPPING CARTON WILL BE LABELED "COMPLIANT TO RoHS DIRECTIVE 2002/95/EC AND ELV ANNEX II OF DIRECTIVE 2000/53/EC". CARTONS WITHOUT THIS LABEL MAY CONTAIN PRODUCT WITH LEAD.



2	A
1	B
SHT	REV

PART NO.	PRODUCT DESCRIPTION	FRONT SHELL PLATING
70929-2020	60 CKT. I/O PLUG CONNECTOR SUB-ASSEMBLY	BRIGHT TIN
70929-2029	60 CKT. I/O PLUG CONNECTOR SUB-ASSEMBLY	BRIGHT NICKEL

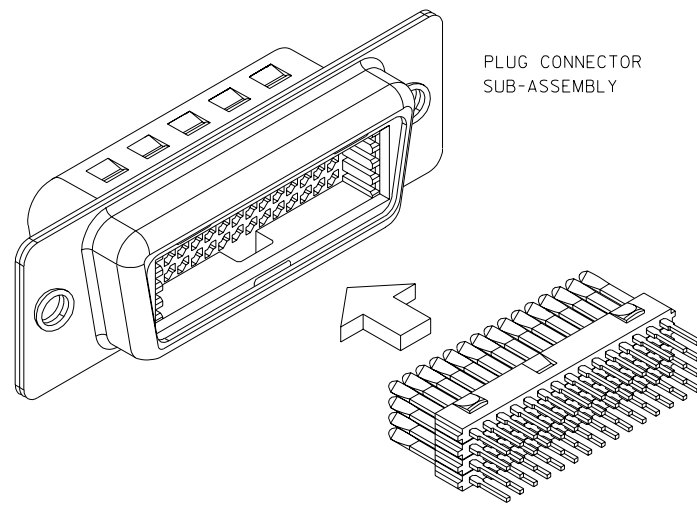
ADD 70929-2029 EC NO: UICP2006-0666 DRAWN BY: BARRA CHKD: BORGAN APPR: MILLER	2006/02/06 2006/02/07 2006/02/09	DESCRIPTION
---	--	-------------

QUALITY SYMBOLS	GENERAL TOLERANCES (UNLESS SPECIFIED)
▽=0	mm INCH
▽=0	4 PLACES ± --- ± ---
	3 PLACES ± --- ± ---
	2 PLACES ± --- ± ---
	1 PLACE ± --- ± ---
	ANGULAR ±1/2°
	DRAFT WHERE APPLICABLE MUST REMAIN WITHIN DIMENSIONS

DIMENSION STYLE	SCALE	DESIGN UNITS	THIRD ANGLE PROJECTION
INCH ONLY	4:1	INCH	☉ □
DRAWN BY	DATE	TITLE	
RKA	2004/08/16	SALES ASSEMBLY	
CHECKED BY	DATE	LFH 60CKT I/O PLUG	
BB	2004/08/16	FOR CABLE ASSEMBLIES	
APPROVED BY	DATE		
SM	2004/08/16		
MATERIAL NO.	DOCUMENT NO.	SHEET NO.	
	SD-70929-001	1 OF 2	

MOLEX INCORPORATED	THIS DRAWING CONTAINS INFORMATION THAT IS PROPRIETARY TO MOLEX INCORPORATED AND SHOULD NOT BE USED WITHOUT WRITTEN PERMISSION
--------------------	---

12 11 10 9 8 7 6 5 4 3 2 1



PLUG CONNECTOR
SUB-ASSEMBLY

INSERT MOLDED TERMINAL STICKS
SUPPLIED SEPARATELY
SEE SALES DRAWING: SDA-70984-100*
NOTE: STICKS SHOWN WITH CARRIER REMOVED

70929

A SEE SHEET 1

DIMENSIONS SHOWN (METRIC) INCH		▽ = 0		▼ = 0		REVISE ONLY ON CAD SYSTEM	
UNLESS OTHERWISE SPECIFIED TOLERANCES: ANGULAR ± 1/2°							
3 PLACE ±		INCH		METRIC		---	
2 PLACE ±		---		±		---	
1 PLACE ---		±		---		---	
DRAFT WHERE APPLICABLE MUST REMAIN WITHIN DIMENSIONS							
DRWG. BY: RKA	CHK'D. BY: BB	FILE NAME: S70029X1	THIS DRAWING CONTAINS INFORMATION THAT IS PROPRIETARY TO MOLEX INC. AND SHOULD NOT BE USED WITHOUT WRITTEN PERMISSION.	DRWG. NO.: SD-70929-001	DIV.:	SIZE: CD	C
APPR'D. BY: SM	SCALE: 4: 1	DATE: 04/8/16	U.S.A.	SHEET NO.: 2	DATE: 04/8/16	U.S.A.	A
PART NO. SEE SHEET 1		MFG. SH. REV. LTR. REVISIONS		FROM: LISLE, ILL. 60532			