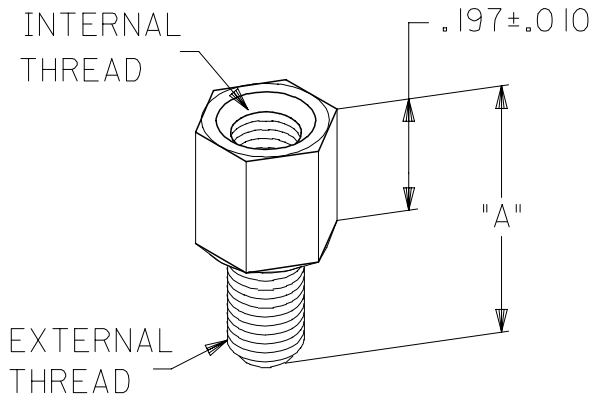


6	5	4	3	2	1
PART NUMBER	DIMINSION "A"	INTERNAL THREAD	EXTERNAL THREAD	FINISH	
70982-1002	.394±.020	4-40 UNC	M3	TIN PLATE	

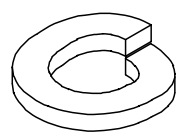
NOTE:

COMPONENTS WILL BE KITTED IN PVC BAGS PER THE FOLLOWING BILL OF MATERIALS:

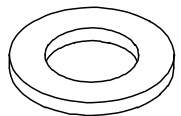
BILL OF MATERIALS		
ITEM #	QTY	DESCRIPTION
1	2	HEX. LOCK SCREW
2	4	WASHER
3	2	LOCKWASHER
4	2	NUT



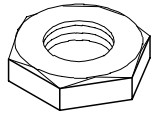
ITEM #1



ITEM #3



ITEM #2



ITEM #4

REMOVED 70982-1006
 EC NO: UCP2006-2579
 DRWN:MS IBARRA 2006/09/25
 CHKD:BBARKER 2006/10/02
 APPR:SMILLER 2006/10/03

QUALITY SYMBOLS	DESCRIPTION
▽=0	
▽=0	

GENERAL TOLERANCES (UNLESS SPECIFIED)		
	mm	INCH
4 PLACES	± .005	± .0005
3 PLACES	± .005	± .0005
2 PLACES	± .005	± .0005
1 PLACE	± .005	± .0005
ANGULAR ±1/2°		
DRAFT WHERE APPLICABLE MUST REMAIN WITHIN DIMENSIONS		

DIMENSION STYLE INCH ONLY	
DRAWN BY	DATE
MOS	1992/09/14
CHECKED BY	DATE
OSULLIVAN	1992/09/14
APPROVED BY	DATE
BIXLER	1992/09/14
MATERIAL NO. SEE TABLE	

SCALE 4:1	DESIGN UNITS INCH	THIRD ANGLE PROJECTION
TITLE 3/16 HEXAGONAL SCREWLOCK HARDWARE KIT		
MOLEX INCORPORATED		
DOCUMENT NO. SDMS-70982-****		SHEET NO. 1 OF 1
THIS DRAWING CONTAINS INFORMATION THAT IS PROPRIETARY TO MOLEX INCORPORATED AND SHOULD NOT BE USED WITHOUT WRITTEN PERMISSION		