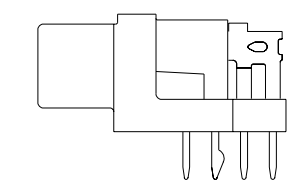
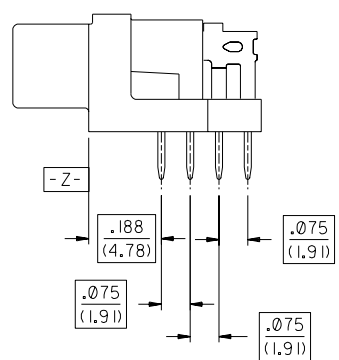
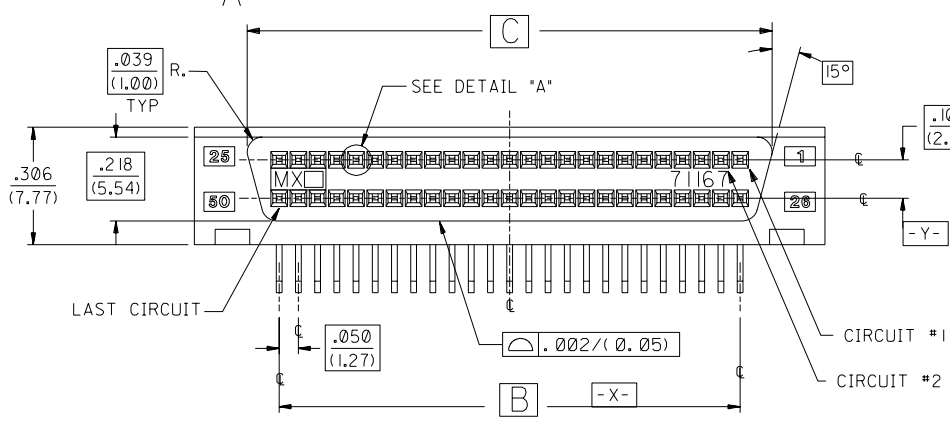
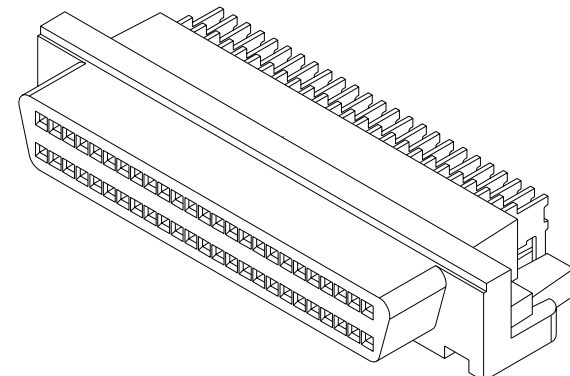
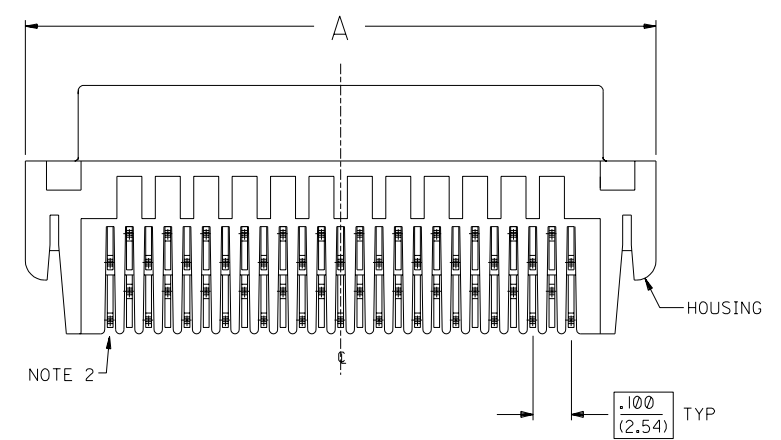


DETAIL "A"
SCALE 10:1



RETENTION TAIL OPTION
A-71061-1*** AND A-71061-3***

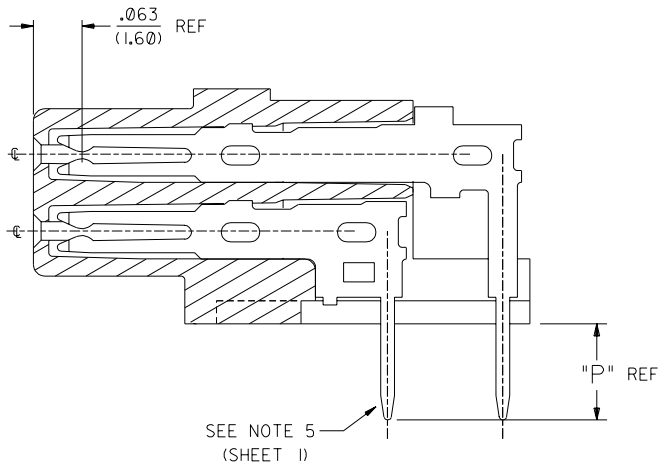


- NOTES:
- REFER TO PS-79058 PRODUCT SPEC. FOR ELECTRICAL, MECHANICAL AND ENVIRONMENTAL SPECIFICATIONS.
 - MATERIAL:
RECEPTACLE HOUSING: GLASS FILLED LCP (LIQUID CRYSTAL POLYMER); COLOR - BLACK; UL 94V-0
TERMINALS: PHOSPHOR BRONZE
 - PACKAGING:
PARTS PACKAGED IN TUBES PER PK-70873-0423
 - SEE SHEET 5 FOR CHARTED DIMENSIONS.
 - FOR FIXED TAIL/PCB PATTERN AT LAST CIRCUIT POSITIONS REFER TO SECTION A-A ON SHEETS 2 AND 3, AND PCB LAYOUT SHOWN ON SHEETS 4 AND 5.
- PLATING FINISH
SELECTIVE GOLD: THICKNESS= 30 MICROINCHES/(0.76 MICROMETERS) MINIMUM.
SELECTIVE TIN: THICKNESS= 75 MICROINCHES/(1.90 MICROMETERS) MINIMUM.
NICKEL UNDERPLATE OVERALL.

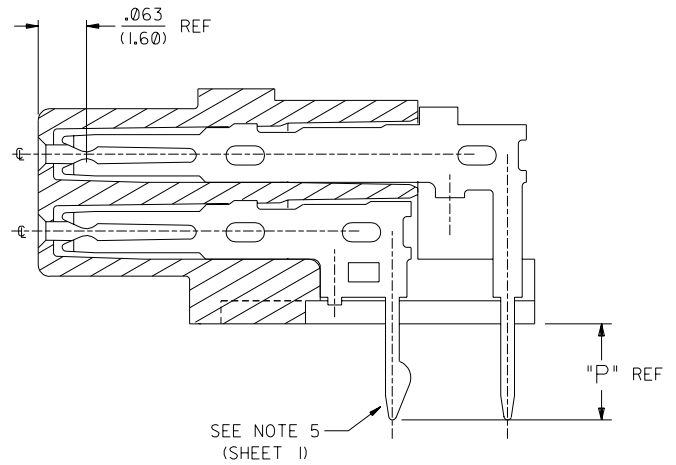
NOTE FOR LEAD FREE CONVERSION:
THE PRIMARY SHIPPING CARTON WILL BE LABELED "COMPLIANT TO ROHS DIRECTIVE 2002/95/EC AND ELV ANNEX II OF DIRECTIVE 2000/53/EC". CARTONS WITHOUT THIS LABEL MAY CONTAIN PRODUCT WITH LEAD.

E		ADDED -3* SERIES EC #UDT2000-0115 J. LONG 99/07/30		DIMENSIONS SHOWN (METRIC) INCH UNLESS OTHERWISE SPECIFIED TOLERANCES: ANGULAR ± 1/2°		REVISE ONLY ON CAD SYSTEM	
G	OBSOLETE PART # ECN# UCP2005-0311 BSMART 04/08/09	DI	ADDED DATE CODE PER EC # U80357 J. LONG 97/07/24	3 PLACE ± .005	---	TITLE SALES ASSEMBLY SCSI RECEPTACLE	
F	LEADFREE ECN# UCP2004-1925 DMORGAN 04/04/06	D	ADDED NEW TAIL PATTERN PER ECN # U60600 95/11/14 J. LONG	2 PLACE ± --- ± 0.13	---	MOLEX INCORPORATED SHEET NO. DATE U.S.A. 1 of 5 95/03/02	
LTR.	REVISIONS	LTR.	REVISIONS	1 PLACE --- ± ---	---	PART NO. DRWG. NO. SEE SHEET 5 SDA-71061-****	
				DRAFT WHERE APPLICABLE MUST REMAIN WITHIN DIMENSIONS		THIS DRAWING CONTAINS INFORMATION THAT IS PROPRIETARY TO MOLEX INC. AND SHOULD NOT BE USED WITHOUT WRITTEN PERMISSION.	
				DRWG. BY J. Long	CHK'D BY J. Long	DIV. SIZE dc C	
				APP'D. BY DJB	SCALE 4 1		

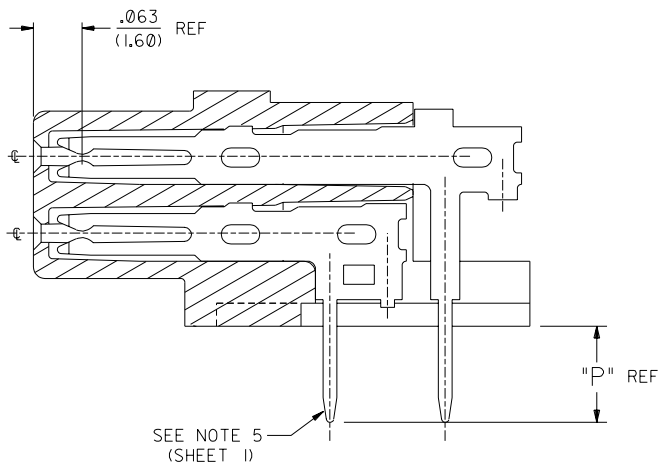
5	G
4	G
3	G
2	G
1	G
MFG. SH. REV.	



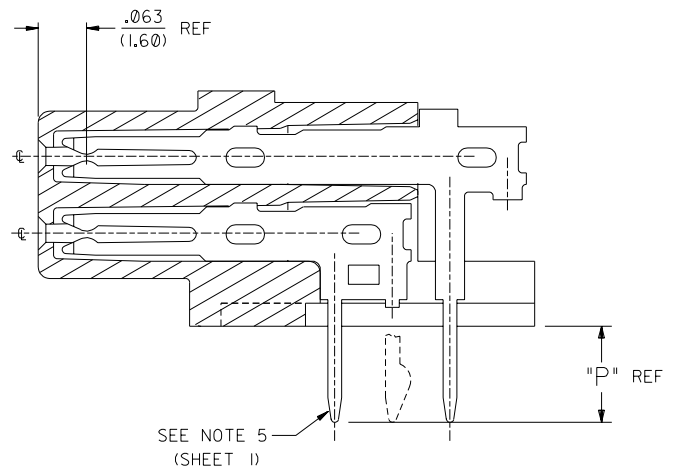
FOR 50 CIRCUIT ASSEMBLIES
A-71061-0***



FOR 50 CIRCUIT ASSEMBLIES
A-71061-1***



FOR 68 CIRCUIT ASSEMBLIES
SECTION A-A
A-71061-0***



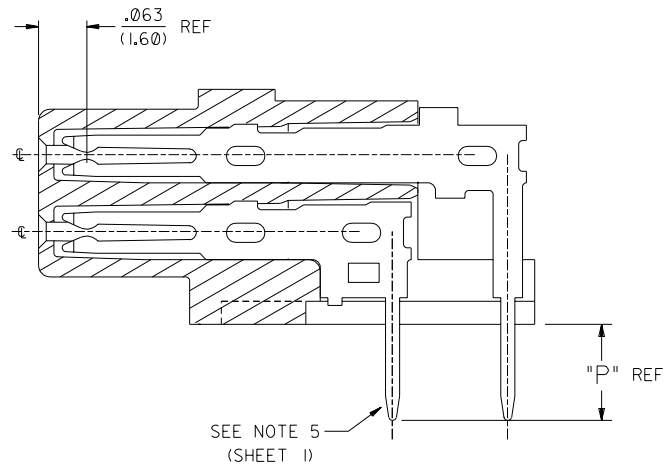
FOR 68 CIRCUIT ASSEMBLIES
SECTION A-A
FOR RETENTION TAIL OPTION
A-71061-1***

** TYPE I TAIL OPTIONS **

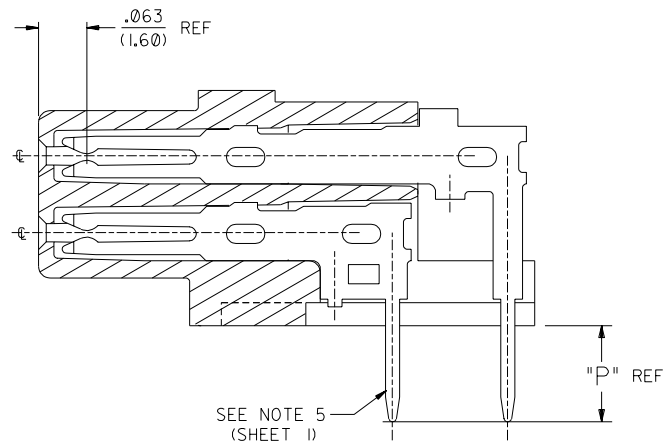
		D	SEE SHEET 1
G	SEE SHEET 1	B	SEE SHEET 1
E	SEE SHEET 1	A	SEE SHEET 1
LTR.	REVISIONS	LTR.	REVISIONS

DIMENSIONS SHOWN (METRIC) INCH	
UNLESS OTHERWISE SPECIFIED TOLERANCES: ANGULAR ± 1/2°	
3 PLACE	± .005
2 PLACE	± --- ± 0.13
1 PLACE	± --- ± ---
DRAFT WHERE APPLICABLE MUST REMAIN WITHIN DIMENSIONS	
DRWG. BY: J. Long	CHK'D. BY: J. Long
APP'D. BY:	SCALE: 4 : 1

MFG. SH. REV.		REVISE ONLY ON CAD SYSTEM	
TITLE: SALES ASSEMBLY SCSI RECEPTACLE		SHEET NO. 2	DATE 95/03/03
MOLEX INCORPORATED LITSE,ILL. 60532 U.S.A.		FILE NAME: 57106102.DEN	THIS DRAWING CONTAINS INFORMATION THAT IS PROPRIETARY TO MOLEX INC. AND SHOULD NOT BE USED WITHOUT WRITTEN PERMISSION.
PART NO. SEE SHEET 5		DRWG. NO. SDA-71061-***	DC C



FOR TYPE I 50 CIRCUIT ASSEMBLIES
A-71061-2***

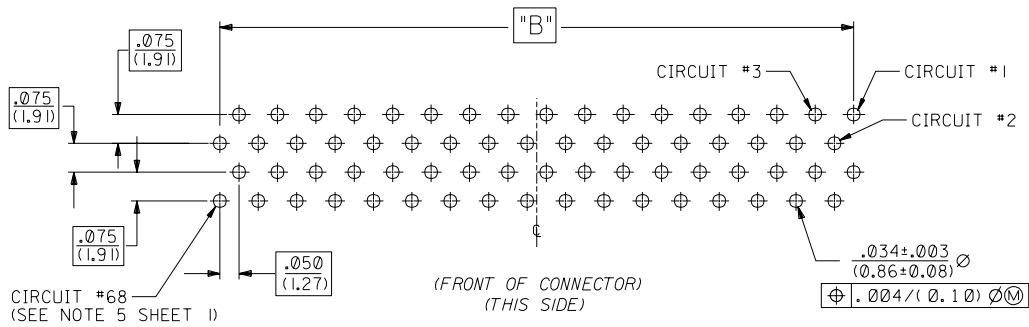


FOR TYPE II 68 CIRCUIT ASSEMBLIES
SECTION A-A
A-71061-2***

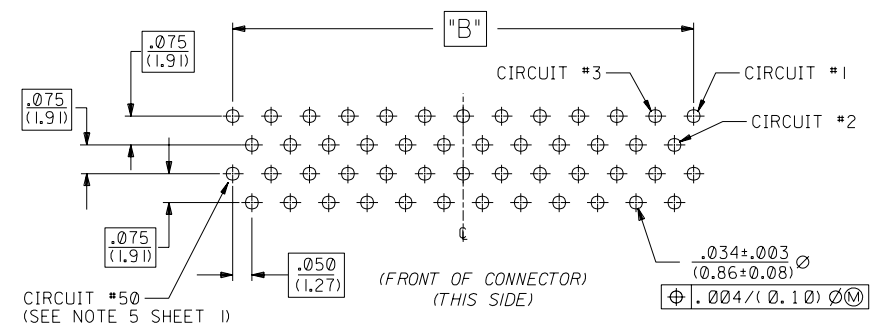
71061

MFG. SH. REV.

		G		SEE SHEET 1	DIMENSIONS SHOWN (METRIC) INCH UNLESS OTHERWISE SPECIFIED TOLERANCES: ANGULAR ± 1/2°		REVISE ONLY ON CAD SYSTEM																					
		E		SEE SHEET 1	<table border="1"> <tr> <th></th> <th>INCH</th> <th>METRIC</th> </tr> <tr> <td>3 PLACE</td> <td>± .005</td> <td>---</td> </tr> <tr> <td>2 PLACE</td> <td>± ---</td> <td>± 0.13</td> </tr> <tr> <td>1 PLACE</td> <td>---</td> <td>± ---</td> </tr> </table>			INCH	METRIC	3 PLACE	± .005	---	2 PLACE	± ---	± 0.13	1 PLACE	---	± ---	<table border="1"> <tr> <td>TITLE</td> <td>SALES ASSEMBLY SCSI RECEPTACLE</td> </tr> <tr> <td>MOLEX</td> <td>MOLEX INCORPORATED</td> </tr> <tr> <td>FILE NAME</td> <td>SEE SHEET 5</td> </tr> <tr> <td>DRWG. NO.</td> <td>SDA-71061-***</td> </tr> </table>		TITLE	SALES ASSEMBLY SCSI RECEPTACLE	MOLEX	MOLEX INCORPORATED	FILE NAME	SEE SHEET 5	DRWG. NO.	SDA-71061-***
	INCH	METRIC																										
3 PLACE	± .005	---																										
2 PLACE	± ---	± 0.13																										
1 PLACE	---	± ---																										
TITLE	SALES ASSEMBLY SCSI RECEPTACLE																											
MOLEX	MOLEX INCORPORATED																											
FILE NAME	SEE SHEET 5																											
DRWG. NO.	SDA-71061-***																											
		D		SEE SHEET 1	<small>DRAFT WHERE APPLICABLE MUST REMAIN WITHIN DIMENSIONS</small>		<table border="1"> <tr> <td>PART NO.</td> <td>60532</td> <td>SHEET NO.</td> <td>3</td> <td>DATE</td> <td>95/11/14</td> </tr> <tr> <td>U.S.A.</td> <td></td> <td></td> <td></td> <td></td> <td></td> </tr> </table>		PART NO.	60532	SHEET NO.	3	DATE	95/11/14	U.S.A.													
PART NO.	60532	SHEET NO.	3	DATE	95/11/14																							
U.S.A.																												
LTR.		REVISIONS		LTR.		REVISIONS		<small>THIS DRAWING CONTAINS INFORMATION THAT IS PROPRIETARY TO MOLEX INC. AND SHOULD NOT BE USED WITHOUT WRITTEN PERMISSION.</small>																				
<table border="1"> <tr> <td>DRWG. BY</td> <td>J. Long</td> <td>CHK'D. BY</td> <td>J. Long</td> </tr> <tr> <td>APP'D. BY</td> <td></td> <td>SCALE</td> <td>4 : 1</td> </tr> </table>		DRWG. BY	J. Long	CHK'D. BY	J. Long	APP'D. BY		SCALE	4 : 1							<table border="1"> <tr> <td>DRWG. NO.</td> <td>SDA-71061-***</td> <td>FILE NAME</td> <td>SEE SHEET 5</td> </tr> <tr> <td>DRWG. NO.</td> <td>SDA-71061-***</td> <td>FILE NAME</td> <td>SEE SHEET 5</td> </tr> </table>		DRWG. NO.	SDA-71061-***	FILE NAME	SEE SHEET 5	DRWG. NO.	SDA-71061-***	FILE NAME	SEE SHEET 5			
DRWG. BY	J. Long	CHK'D. BY	J. Long																									
APP'D. BY		SCALE	4 : 1																									
DRWG. NO.	SDA-71061-***	FILE NAME	SEE SHEET 5																									
DRWG. NO.	SDA-71061-***	FILE NAME	SEE SHEET 5																									

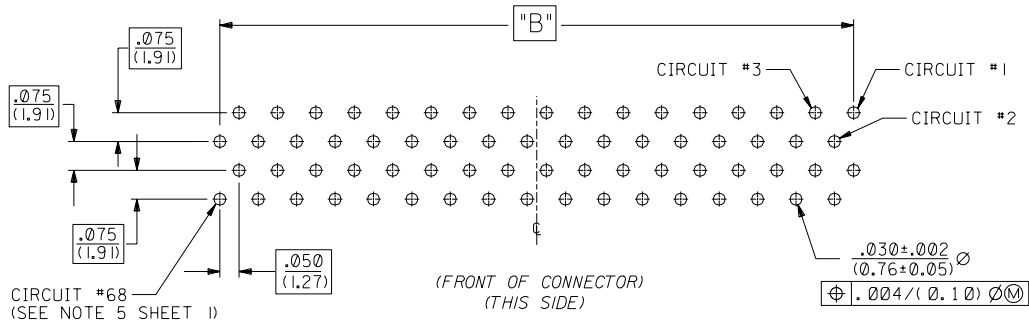


TYPE 168 CIRCUIT P.C. BOARD LAYOUT
CONNECTOR SIDE

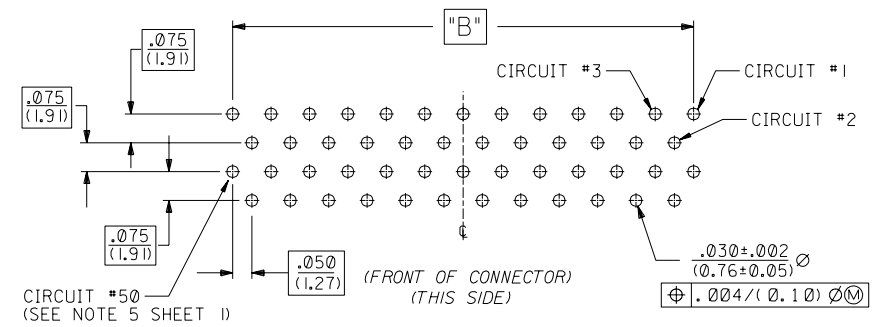


TYPE 150 CIRCUIT P.C. BOARD LAYOUT
CONNECTOR SIDE

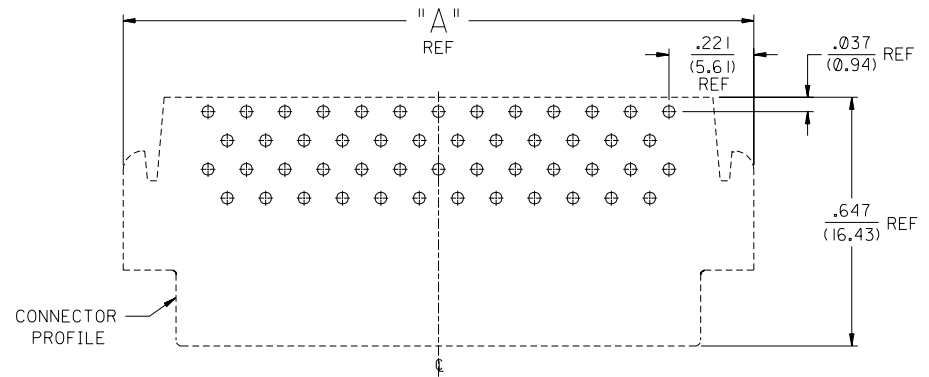
TYPE 1 TAIL P.C. BOARD LAYOUT FOR A-71061-0***



TYPE 168 CIRCUIT P.C. BOARD LAYOUT
CONNECTOR SIDE



TYPE 150 CIRCUIT P.C. BOARD LAYOUT
CONNECTOR SIDE



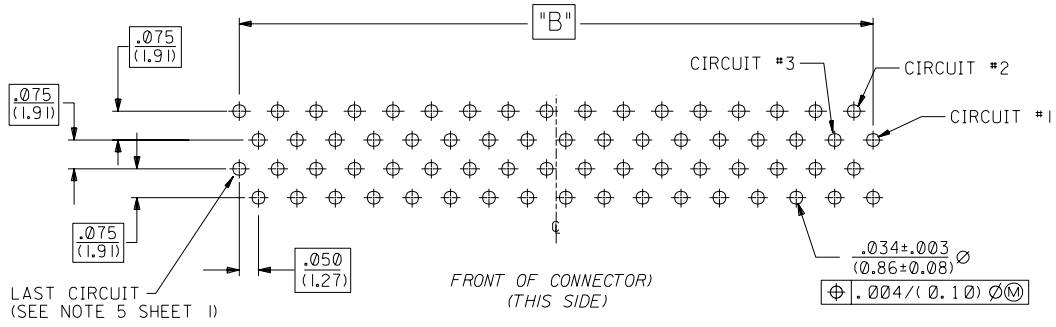
RECOMMENDED CONNECTOR LAYOUT
(50 CKT SHOWN FOR REFERENCE)

TYPE 1 RETENTION TAIL P.C. BOARD LAYOUT A-71061-1***

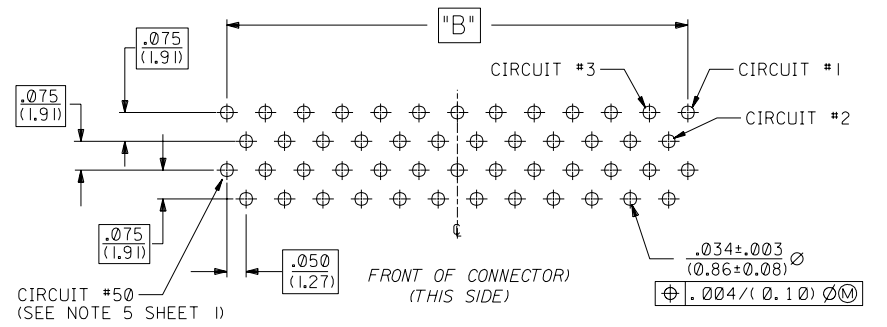
D		SEE SHEET 1	DIMENSIONS SHOWN (METRIC) INCH UNLESS OTHERWISE SPECIFIED TOLERANCES: ANGULAR ± 1/2°		REVISE ONLY ON CAD SYSTEM	
G	SEE SHEET 1	B	SEE SHEET 1	3 PLACE ± .005 METRIC	TITLE SALES ASSEMBLY SCSI RECEPTACLE	
E	SEE SHEET 1	A	SEE SHEET 1	2 PLACE ± --- ± 0.13	MOLEX INCORPORATED SHEET NO. DATE LITTLE, ILL. 60532 U.S.A. 4 95/03/03	
LTR.	REVISIONS	LTR.	REVISIONS	1 PLACE --- ± ---	PART NO. DRWG. NO. SEE SHEET 5 SDA-71061-****	
			DRAFT WHERE APPLICABLE MUST REMAIN WITHIN DIMENSIONS		THIS DRAWING CONTAINS INFORMATION THAT IS PROPRIETARY TO MOLEX INC. AND SHOULD NOT BE USED WITHOUT WRITTEN PERMISSION.	
APPR. BY J. Long		CHK'D. BY J. Long		FILE NAME S7106104 00N	DIV. DC	SIZE C

13	12	11	10	9	8	7	6	5	4	3	2	1		
A-71061-0*** ITEM NO.	A-71061-1*** ITEM NO.	A-71061-2*** ITEM NO.		CKT. SIZE	DIM. A INCH MM		DIM. B INCH MM		DIM. C INCH MM		DIM. P INCH MM		RECMD PCB INCH MM	
71061-0001				50	1.642	41.71	1.200	30.48	1.366	34.70	.125	3.18	.062	1.57
71061-0003	71061-1003	71061-2003		68	2.092	53.14	1.650	41.91	1.816	46.13	.125	3.18	.062	1.57

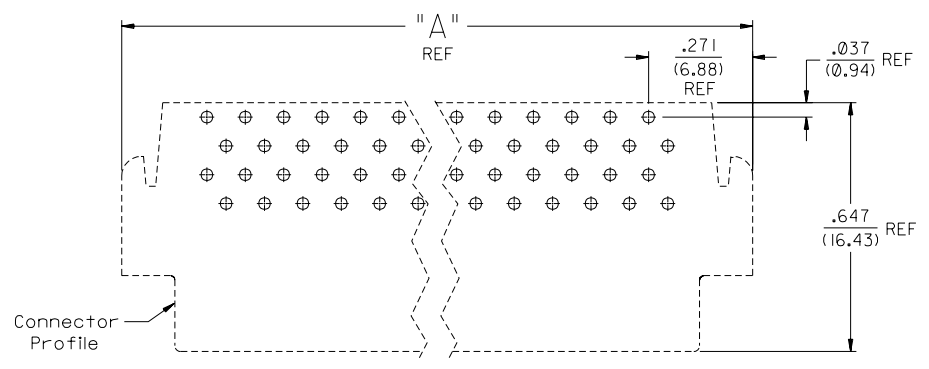
71061	4	3	2	1
-------	---	---	---	---



TYPE 1168 CIRCUIT P.C. BOARD LAYOUT
CONNECTOR SIDE



TYPE 150 CIRCUIT P.C. BOARD LAYOUT
CONNECTOR SIDE



Recommended Connector Layout
(TYPE 1168 CIRCUIT SHOWN FOR REFERENCE)

TYPE 11 TAIL P.C. BOARD LAYOUT FOR 68 CKT A-71061-2***

LTR.		REVISIONS		LTR.		REVISIONS		DIMENSIONS SHOWN (METRIC) INCH UNLESS OTHERWISE SPECIFIED TOLERANCES: ANGULAR ± 1/2°		REVISE ONLY ON CAD SYSTEM	
G		SEE SHEET 1		D		SEE SHEET 1		3 PLACE ± .005 --- 2 PLACE ± --- ± 0.13 1 PLACE --- ± ---		TITLE SALES ASSEMBLY SCSI RECEPTACLE	
G		SEE SHEET 1		D		SEE SHEET 1		DRAWING WHERE APPLICABLE MUST REMAIN WITHIN DIMENSIONS		MOLEX INCORPORATED LITSE, ILL. 60532 U.S.A.	
LTR.		REVISIONS		LTR.		REVISIONS		DRAWG. BY J. Long		SHEET NO. 5	
LTR.		REVISIONS		LTR.		REVISIONS		APPROV. BY J. Long		DATE 95/11/14	
LTR.		REVISIONS		LTR.		REVISIONS		SCALE 1/4"		THIS DRAWING CONTAINS INFORMATION THAT IS PROPRIETARY TO MOLEX INC. AND SHOULD NOT BE USED WITHOUT WRITTEN PERMISSION.	
LTR.		REVISIONS		LTR.		REVISIONS		FILE NAME S71061-105.DGN		PART NO. SDA-71061-***	
LTR.		REVISIONS		LTR.		REVISIONS		SIZE DC		C	