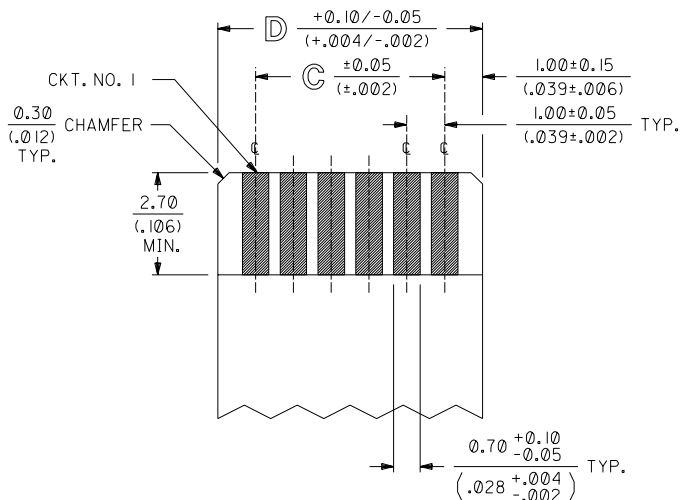


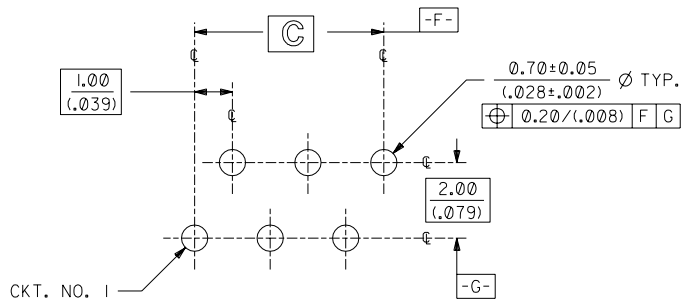
NOTES:

- CONNECTOR MATERIALS:  
HOUSING IS MADE OF NYLON (SEE CHART ON SHEET 2 FOR COLOR) AND ACTUATOR IS MADE OF LCP (LIQUID CRYSTAL POLYMER) (COLOR IS BLUE), BOTH ARE GLASS-FILLED AND RATED U.L. 94V-0; TERMINALS ARE 0.32/(.013) THICK PHOSPHOR BRONZE.
- TERMINAL FINISH:  
5.0 MICROMETERS/200 MICRONS MINIMUM TIN OVER 1.3 MICROMETERS/ 50 MICRONS MINIMUM NICKEL UNDERPLATE OVERALL.
- THIS CONNECTOR CONFORMS TO PRODUCT SPECIFICATION PS-71226.
- SEE SHEET 2 FOR CONNECTOR PART NUMBERS, PACKAGING OPTIONS, AND DIMENSIONS NOT SHOWN BELOW.



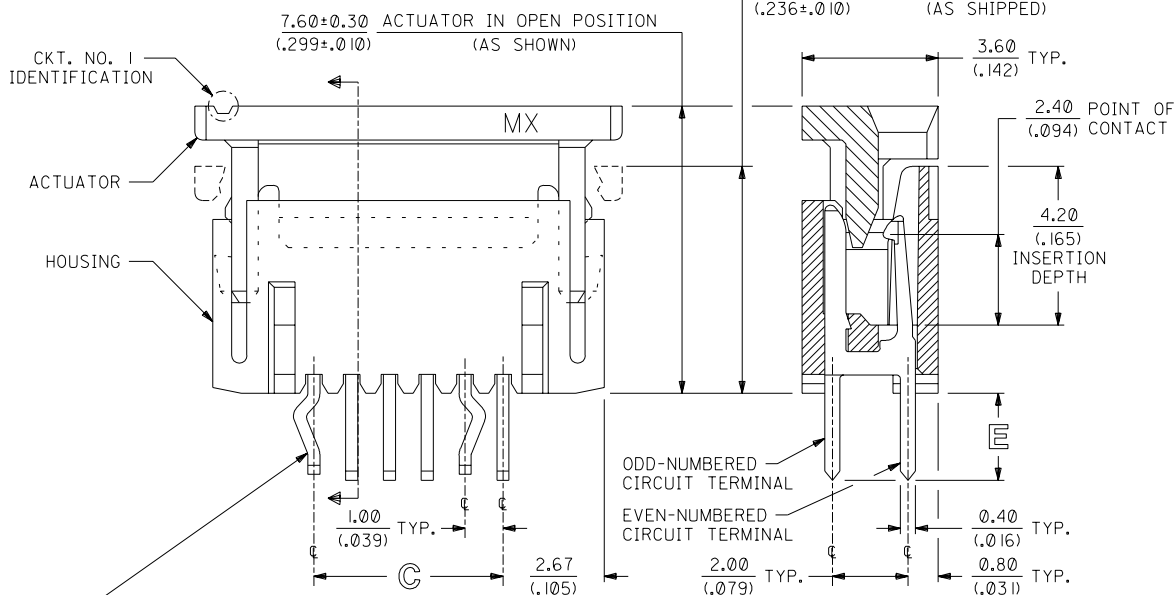
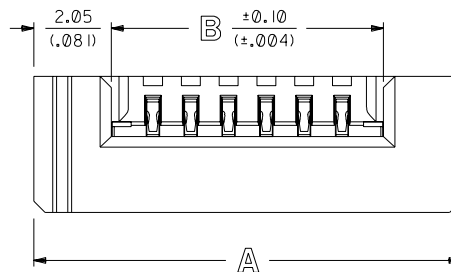
RECOMMENDED FFC DIMENSIONS

FINISHED THICKNESS =  $0.30 \pm 0.05 / (0.012 \pm 0.002)$



RECOMMENDED PC BOARD LAYOUT

COMPONENT SIDE IS SHOWN



KINK-PINS ARE LOCATED AT THE TWO ENDMOST ODD-NUMBERED CIRCUIT POSITIONS (KINK-PINS ARE NOT AVAILABLE ON 40 CIRCUIT CONNECTORS)

NOTE FOR LEAD FREE CONVERSION:

THE PRIMARY SHIPPING CARTON WILL BE LABELED "COMPLIANT TO ROHS DIRECTIVE 2002/95/EC AND ELV ANNEX II OF DIRECTIVE 2000/53/EC". CARTONS WITHOUT THIS LABEL MAY CONTAIN PRODUCT WITH LEAD.

DIMENSIONS SHOWN METRIC/(INCHES)

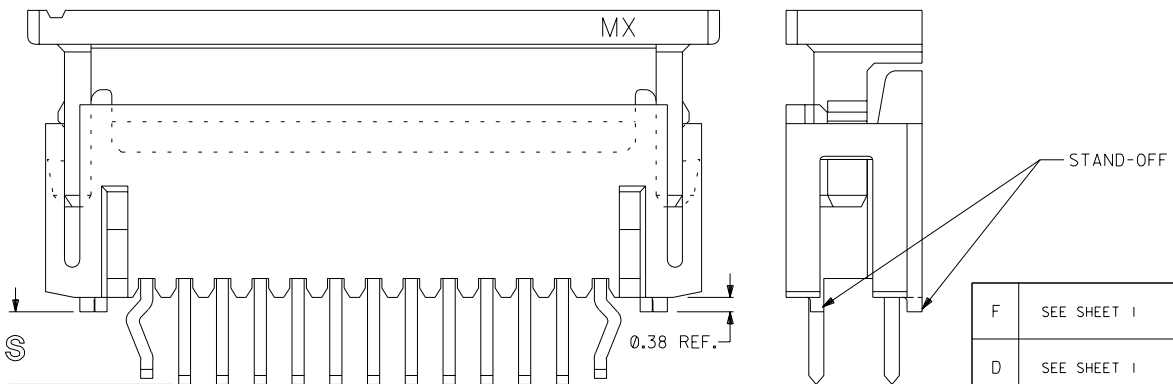
F			DELETE TUBE PKG LCP2003-1972 RWHITE 03/03/17			C2			ADD C.K.T. NO. 1 ECN #UDT1999-0014 07/08/98 LMCGRATH			UNLESS OTHERWISE SPECIFIED TOLERANCES: ANGULAR $\pm 1/2^\circ$			REVISIONS ONLY ON CAD SYSTEM		
E			MOD HSG GEOMETRY ECN #UDT1999-1104 DMORGAN 99/07/09			C1			ADD PKG SPEC ECN #UDT1998-0299 05/26/98 LMCGRATH			3 PLACE $\pm 0.05$			TITLE		
G			LEAD FREE CONV ECN UCP2004-2092 RKADAMS 04/04/22			D			ADD P/N -2675 ECN #UDT1999-0824 DMORGAN 99/04/06			2 PLACE $\pm$			1,00mm/(.039) PITCH, ZIF, FFC CONNECTOR		
G			ADD P/N -2675 ECN #UDT1999-0824 DMORGAN 99/04/06			C			ADDED TOL. & BASIC BOXES PER EC # U81224 J. LONG 97/11/20			1 PLACE $\pm$			MOLEX INCORPORATED LISLE, ILL. 60532		
LTR.			REVISIONS			LTR.			REVISIONS			LTR.			REVISIONS		
DRWG. BY APP'D. BY			GLT CAB			CHK'D. BY SCALE			CAB 10 : 1			FILE NAME SD7122607 DGN			SHEET NO. 1 OF 2		
DATE			12/16/92			DIV.			CPP			PART NO. SEE SHEET 2			DRWG. NO. SD-71226-***5		

2	F
1	G

MFG. SH. REV.

THIS DRAWING CONTAINS INFORMATION THAT IS PROPRIETARY TO MOLEX INC. AND SHOULD NOT BE USED WITHOUT WRITTEN PERMISSION.

CKT SIZE	ITEM NUMBER	HOUSING COLOR	X=NOT TOOLED	DIM A	DIM B	DIM C	DIM D	DIM E
4	71226-0425	NATURAL		9.30/(.366)	5.20/(.205)	3.00/(.118)	5.00/(.197)	2.25±0.20 (.089±.008)
6	71226-0625	NATURAL		11.30/(.445)	7.20/(.283)	5.00/(.197)	7.00/(.276)	
8	71226-0825	NATURAL		13.30/(.524)	9.20/(.362)	7.00/(.276)	9.00/(.354)	
10	71226-1025	NATURAL		15.30/(.602)	11.20/(.441)	9.00/(.354)	11.00/(.433)	
12	71226-1225	NATURAL		17.30/(.681)	13.20/(.520)	11.00/(.433)	13.00/(.512)	
14	71226-1425	NATURAL		19.30/(.760)	15.20/(.598)	13.00/(.512)	15.00/(.591)	
16	71226-1625	NATURAL		21.30/(.839)	17.20/(.677)	15.00/(.591)	17.00/(.669)	
18	71226-1825	NATURAL		23.30/(.917)	19.20/(.756)	17.00/(.669)	19.00/(.748)	
20	71226-2025	NATURAL		25.30/(.996)	21.20/(.835)	19.00/(.748)	21.00/(.827)	
22	71226-2225	NATURAL		27.30/(1.075)	23.20/(.913)	21.00/(.827)	23.00/(.906)	
24	71226-2425	NATURAL		29.30/(1.154)	25.20/(.992)	23.00/(.906)	25.00/(.984)	
26	71226-2625	NATURAL		31.30/(1.232)	27.20/(1.071)	25.00/(.984)	27.00/(1.063)	
28	71226-2825	NATURAL		33.30/(1.311)	29.20/(1.150)	27.00/(1.063)	29.00/(1.142)	
30	71226-3025	NATURAL		35.30/(1.390)	31.20/(1.228)	29.00/(1.142)	31.00/(1.220)	
40	71226-4025	NATURAL	X	45.30/(1.783)	41.20/(1.622)	39.00/(1.536)	41.00/(1.614)	
4	71226-0435	NATURAL		9.30/(.366)	5.20/(.205)	3.00/(.118)	5.00/(.197)	3.15±0.20 (.124±.008)
6	71226-0635	NATURAL		11.30/(.445)	7.20/(.283)	5.00/(.197)	7.00/(.276)	
8	71226-0835	NATURAL		13.30/(.524)	9.20/(.362)	7.00/(.276)	9.00/(.354)	
10	71226-1035	NATURAL		15.30/(.602)	11.20/(.441)	9.00/(.354)	11.00/(.433)	
12	71226-1235	NATURAL		17.30/(.681)	13.20/(.520)	11.00/(.433)	13.00/(.512)	
14	71226-1435	NATURAL		19.30/(.760)	15.20/(.598)	13.00/(.512)	15.00/(.591)	
16	71226-1635	NATURAL		21.30/(.839)	17.20/(.677)	15.00/(.591)	17.00/(.669)	
18	71226-1835	NATURAL		23.30/(.917)	19.20/(.756)	17.00/(.669)	19.00/(.748)	
20	71226-2035	NATURAL		25.30/(.996)	21.20/(.835)	19.00/(.748)	21.00/(.827)	
22	71226-2235	NATURAL		27.30/(1.075)	23.20/(.913)	21.00/(.827)	23.00/(.906)	
24	71226-2435	NATURAL		29.30/(1.154)	25.20/(.992)	23.00/(.906)	25.00/(.984)	
26	71226-2635	NATURAL		31.30/(1.232)	27.20/(1.071)	25.00/(.984)	27.00/(1.063)	
28	71226-2835	NATURAL		33.30/(1.311)	29.20/(1.150)	27.00/(1.063)	29.00/(1.142)	
30	71226-3035	NATURAL		35.30/(1.390)	31.20/(1.228)	29.00/(1.142)	31.00/(1.220)	
40	71226-4035	NATURAL	X	45.30/(1.783)	41.20/(1.622)	39.00/(1.536)	41.00/(1.614)	
26	71226-2675	NATURAL		31.30/(1.232)	27.20/(1.071)	25.00/(.984)	27.00/(1.063)	2.77±0.20 (.109±.008)



STAND-OFF OPTION (71226-2675 SHOWN)  
SEE SHEET I FOR DIMENSION NOT SHOWN

PACKAGED IN TRAYS PER PK-70873-0246

DIMENSIONS SHOWN METRIC/(INCH)		MFG.	SH.	REV.
F	SEE SHEET I	B	SEE SHEET I	
D	SEE SHEET I	AI	SEE SHEET I	
CI	SEE SHEET I	A	SEE SHEET I	
LTR.	REVISIONS	LTR.	REVISIONS	

UNLESS OTHERWISE SPECIFIED TOLERANCES: ANGULAR ± 1/2°	▽ = 0	▼ = 0	REVISE ONLY ON CAD SYSTEM
5 PLACE ± — — — —	INCH	METRIC	
2 PLACE ± — — — —			
1 PLACE — — — — ±			
DRAFT WHERE APPLICABLE MUST REMAIN WITHIN DIMENSIONS			
DRWG. BY: GLT	CHK'D. BY: CAB	PART NO. SEE CHART	DRWG. NO. SD-71226-***5
APP'D. BY: CAB	SCALE: :	FILE NAME: SD7122608B.DGN	THIS DRAWING CONTAINS INFORMATION THAT IS PROPRIETARY TO MOLEX INC. AND SHOULD NOT BE USED WITHOUT WRITTEN PERMISSION.

MOLEX INCORPORATED  
L1SLE,ILL. 60532 U.S.A.  
SHEET NO. 2 DATE 12/16/92  
DIV. CPP