

NOTES:

1. MATERIALS:

- HOUSING: HIGH TEMPERATURE THERMOPLASTIC, UL94 V-0, COLOR:BLACK
- TAIL ALIGNER: HIGH TEMPERATURE THERMOPLASTIC, UL94 V-0, COLOR:BLACK
- TERMINAL: HIGH PERFORMANCE COPPER ALLOY
- BRACKET: BRASS
- SHELL: STEEL
- INSERT: BRASS

2. FINISHES:

- TERMINAL: 0.05-0.25 MICROMETERS GOLD FLASH IN CRITICAL AREA OVER 0.75 MICROMETERS MINIMUM PALLADIUM NICKEL IN CRITICAL AREA. 1.87 MICROMETERS MINIMUM TIN IN SOLDER TAIL AREA OVER 1.25 MICROMETERS MINIMUM NICKEL.
- BRACKET: 5.0 MICROMETERS BRIGHT TIN OVER 2.50 MICROMETERS COPPER.
- SHIELD: 3.8 MICROMETERS MINIMUM BRIGHT TIN OVER 1.3 MICROMETERS MINIMUM NICKEL OVER COPPER FLASH (OPTIONAL).
- INSERT: 2.54 MICROMETERS MINIMUM NICKEL.

3. PART PERFORMS TO MOLEX PRODUCT SPECIFICATION

PS-71425-9999.

4. PACKAGE PER PK-70873-0823.

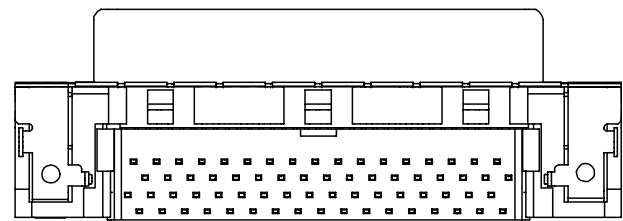
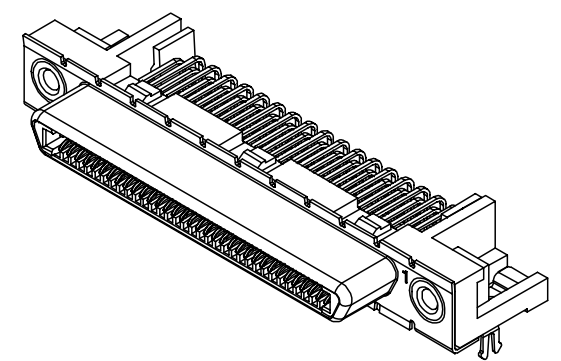
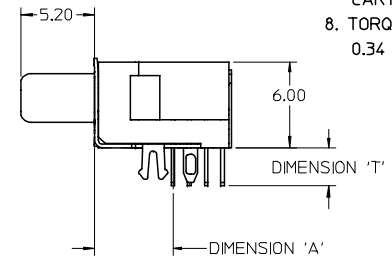
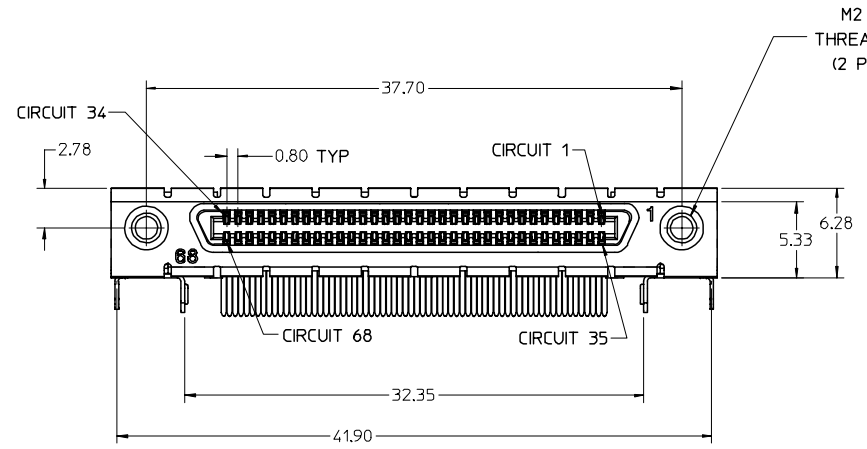
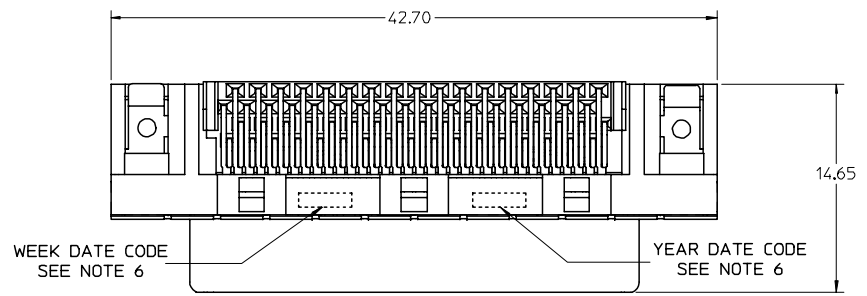
5. APPLICABLE STANDARDS: EIA-3652 AND SFF-8441.

6. DATE CODE: YR/WK PER EIA-476-A.

7. THE PRIMARY SHIPPING CATRON WILL BE LABELED "COMPLIANT TO ROHS DIRECTIVE 2002/95/EC AND ELV ANNEX II OF DIRECTIVE 2000/53/EC". CARTONS WITHOUT THIS LABEL MAY CONTAIN PRODUCT WITH LEAD

8. TORQUE TO INSTALL SCREWLOCKS INTO THREADED INSERTS:

0.34 Nm MAXIMUM.



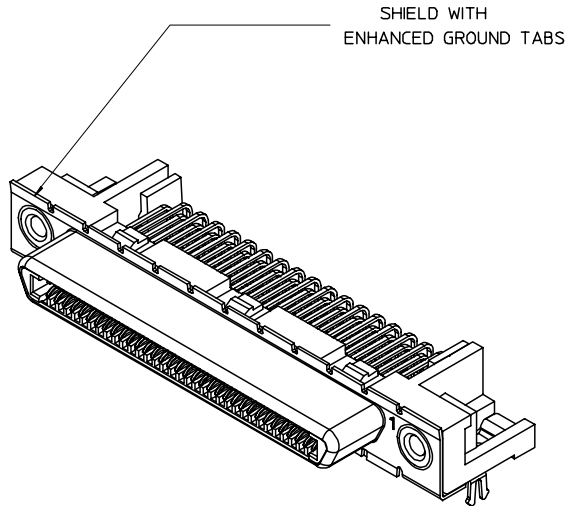
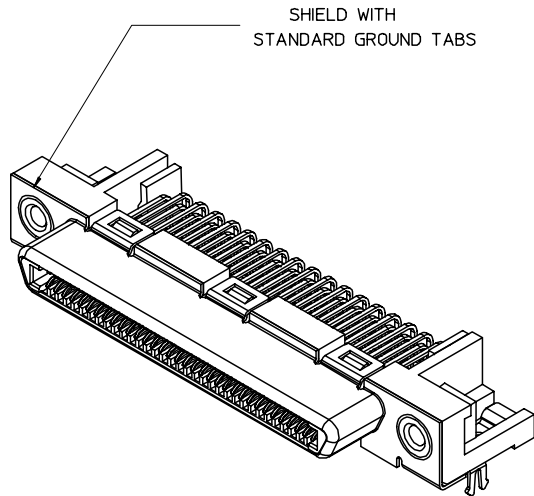
ADD DIM. TO PCB LAYOUT	DESCRIPTION
EC NO: UCP2007-0783	DRWN:MSIBARRA 2006/10/12
CHKD:BBARKER 2006/10/24	APPR:SMILLER 2006/10/25
J	REV

QUALITY SYMBOLS	GENERAL TOLERANCES (UNLESS SPECIFIED)														
	<table border="1"> <tr> <td></td> <td>mm</td> <td>INCH</td> </tr> <tr> <td>4 PLACES</td> <td>± ---</td> <td>± ---</td> </tr> <tr> <td>3 PLACES</td> <td>± ---</td> <td>± ---</td> </tr> <tr> <td>2 PLACES</td> <td>± 0.13</td> <td>± ---</td> </tr> <tr> <td>1 PLACE</td> <td>± 0.25</td> <td>± ---</td> </tr> </table>		mm	INCH	4 PLACES	± ---	± ---	3 PLACES	± ---	± ---	2 PLACES	± 0.13	± ---	1 PLACE	± 0.25
	mm	INCH													
4 PLACES	± ---	± ---													
3 PLACES	± ---	± ---													
2 PLACES	± 0.13	± ---													
1 PLACE	± 0.25	± ---													
▽=0	ANGULAR ±1/2°														
∇=0	DRAFT WHERE APPLICABLE														
	MUST REMAIN WITHIN DIMENSIONS														

SCALE 4:1	DESIGN UNITS METRIC
DIMENSION STYLE MM ONLY	
DRAWN BY KSTILES	DATE 11/14/2002
CHECKED BY KSTILES	DATE 11/15/2002
APPROVED BY MBNAKIS	DATE 11/22/2002

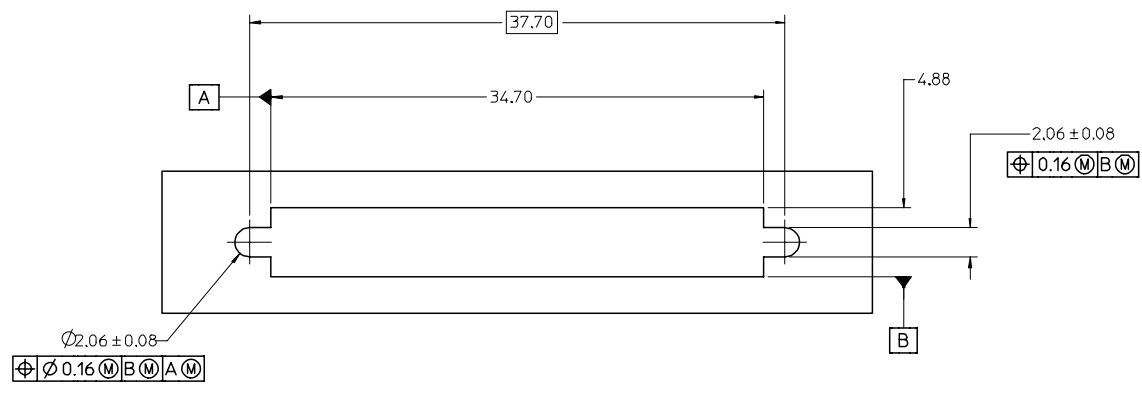
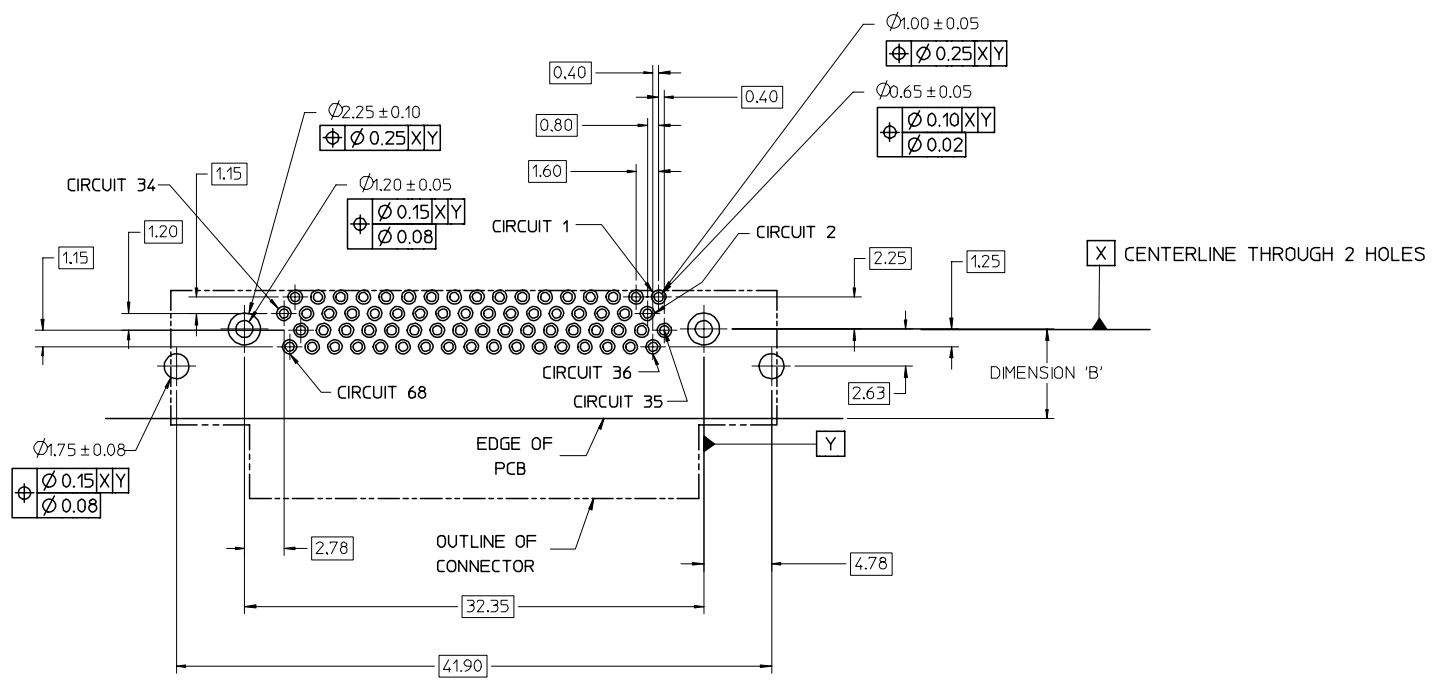
THIRD ANGLE PROJECTION	REVISE ON CAD ONLY
TITLE VHDCI RIGHT ANGLE ASSEMBLY	
MOLEX INCORPORATED	
MATERIAL NO. SEE CHART	DOCUMENT NO. SD-71430-015
SHEET NO. 1 OF 3	

PCB THICKNESS	PART NUMBER	TAIL LENGTH 'T'	ENHANCED GROUND TABS	SCREWLOCKS	TAIL LOC. 'A'	HOLE LOC. 'B'
1.60	71430-0101	2.08	NO	NONE	5.50	6.30
1.60	71430-0007	2.08	NO	LOOSE IN BAGS	5.50	6.30
1.60	71430-0005	2.08	YES	NONE	5.50	6.30
1.60	71430-0008	2.08	YES	LOOSE IN BAGS	5.50	6.30
2.36	71430-0268	2.71	NO	NONE	5.50	6.30
2.36	71430-0006	2.71	NO	INSTALLED	5.50	6.30
2.36	71430-0004	2.71	YES	NONE	5.50	6.30
2.36	71430-0009	2.71	YES	INSTALLED	5.50	6.30
2.36	71430-0016	2.71	NO	LOOSE IN BAGS	5.50	6.30
2.36	71430-0019	2.71	YES	LOOSE IN BAGS	5.50	6.30
2.36	71430-0010	2.71	YES	NONE	5.00	5.80
1.60	71430-0011	2.08	YES	NONE	5.00	5.80



OPTIONAL SCREWLOCK
PART NUMBER 71433-0002

UPDATE REV LEVEL EC NO: UCP2007-0783 DRWN:MSIBARRA 2006/10/12 CHKD:BBARKER 2006/10/24 APPR:SMILLER 2006/10/25	QUALITY SYMBOLS	GENERAL TOLERANCES (UNLESS SPECIFIED)		SCALE 4:1	DESIGN UNITS METRIC	THIRD ANGLE PROJECTION	REVISE ON CAD ONLY
	▽=0	mm	INCH	DIMENSION STYLE MM ONLY		TITLE VHDCI RIGHT ANGLE ASSEMBLY	
	◇=0	4 PLACES ± --- ± ---	3 PLACES ± --- ± ---	DRAWN BY KSTILES	DATE 11/14/2002	MOLEX INCORPORATED	
		2 PLACES ±0.13 ± ---	1 PLACE ±0.25 ± ---	CHECKED BY KSTILES	DATE 11/15/2002	MATERIAL NO. SEE CHART	DOCUMENT NO. SD-71430-015
		ANGULAR ±1/2°		APPROVED BY MBNAKIS	DATE 11/22/2002	THIS DRAWING CONTAINS INFORMATION THAT IS PROPRIETARY TO MOLEX INCORPORATED AND SHOULD NOT BE USED WITHOUT WRITTEN PERMISSION	
		DRAFT WHERE APPLICABLE MUST REMAIN WITHIN DIMENSIONS					



NOTE:

FOR FULL MATE WITH PLUG, PANEL THICKNESS SHOULD NOT EXCEED 1.0mm.

FUNCTIONAL MATING WITH MOLEX PLUG CAN STILL BE MAINTAINED WITH PANELS AS THICK AS 2.5mm (BUT PLUG AND RECEPTACLE WILL NOT BE FULLY MATED).

ADD DIM. TO PCB LAYOUT EC NO: UCP2007-0783 DRWN: MSIBARRA 2006/10/12 CHKD: BBARKER 2006/10/24 APPR: SMILLER 2006/10/25	QUALITY SYMBOLS ▽ = 0 ▽ = 0	GENERAL TOLERANCES (UNLESS SPECIFIED)		SCALE 4:1	DESIGN UNITS METRIC	THIRD ANGLE PROJECTION	REVISE ON CAD ONLY		
				DIMENSION STYLE MM ONLY		TITLE VHDCI RIGHT ANGLE ASSEMBLY			
		4 PLACES ± --- ± ---	3 PLACES ± --- ± ---	2 PLACES ± 0.13 ± ---	1 PLACE ± 0.25 ± ---	DRAWN BY KSTILES	DATE 11/14/2002	MATERIAL NO. SEE CHART	
		ANGULAR ±1/2°				CHECKED BY KSTILES	DATE 11/15/2002	DOCUMENT NO. SD-71430-015	SHEET NO. 3 OF 3
DRAFT WHERE APPLICABLE MUST REMAIN WITHIN DIMENSIONS				APPROVED BY MBNAKIS	DATE 11/22/2002	THIS DRAWING CONTAINS INFORMATION THAT IS PROPRIETARY TO MOLEX INCORPORATED AND SHOULD NOT BE USED WITHOUT WRITTEN PERMISSION			