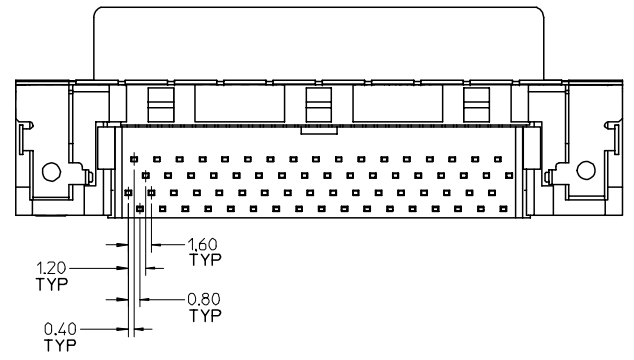
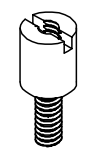
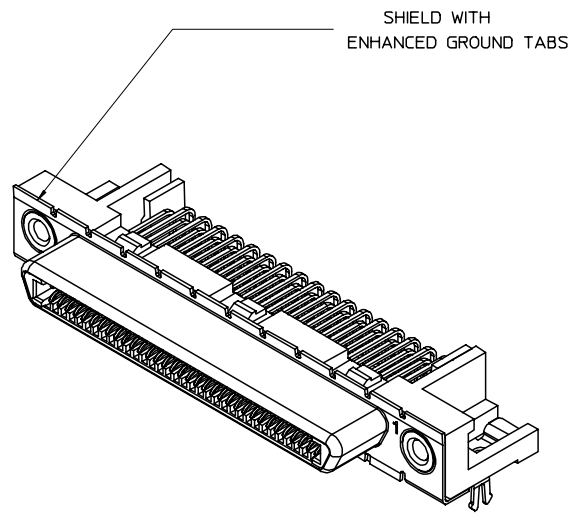
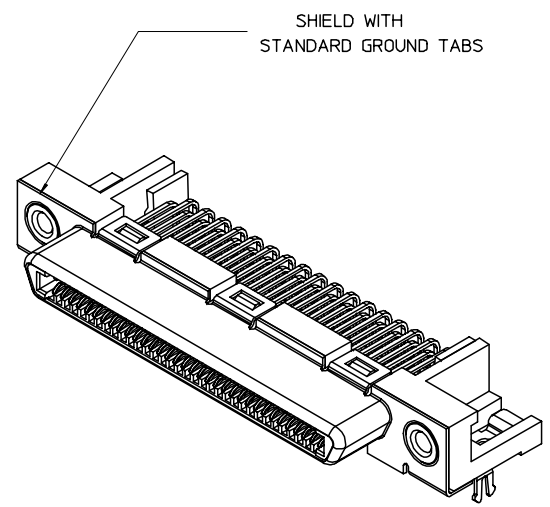


- NOTES:
- MATERIALS:
 - HOUSING: HIGH TEMPERATURE THERMOPLASTIC, UL94 V-0, COLOR:BLACK
 - TAIL ALIGNER: HIGH TEMPERATURE THERMOPLASTIC, UL94 V-0, COLOR:BLACK
 - TERMINAL: HIGH PERFORMANCE COPPER ALLOY
 - BRACKET: BRASS
 - SHELL: STEEL
 - INSERT: BRASS
 - FINISHES:
 - TERMINAL: 0.05-0.25 MICRO-METERS GOLD FLASH IN CRITICAL AREA OVER 0.75 MICRO-METERS MINIMUM PALLADIUM NICKEL IN CRITICAL AREA, 1.87 MICRO-METERS MINIMUM TIN-LEAD IN SOLDER TAIL AREA OVER 1.25 MICRO-METERS MINIMUM NICKEL.
 - BRACKET: 5.0 MICRO-METERS BRIGHT TIN OVER 2.50 MICRO-METERS COPPER.
 - SHIELD: 3.8 MICRO-METERS MINIMUM BRIGHT TIN/LEAD OVER 1.3 MICRO-METERS MINIMUM NICKEL.
 - INSERT: 2.54 MICRO-METERS MINIMUM NICKEL.
 - PART PERFORMS TO MOLEX PRODUCT SPECIFICATION PS-71425-9999.
 - PACKAGE PER PK-70873-0823.
 - APPLICABLE STANDARDS: EIA-3652 AND SFF-8441.
 - DATE CODE: YR/WK PER EIA-476-A.



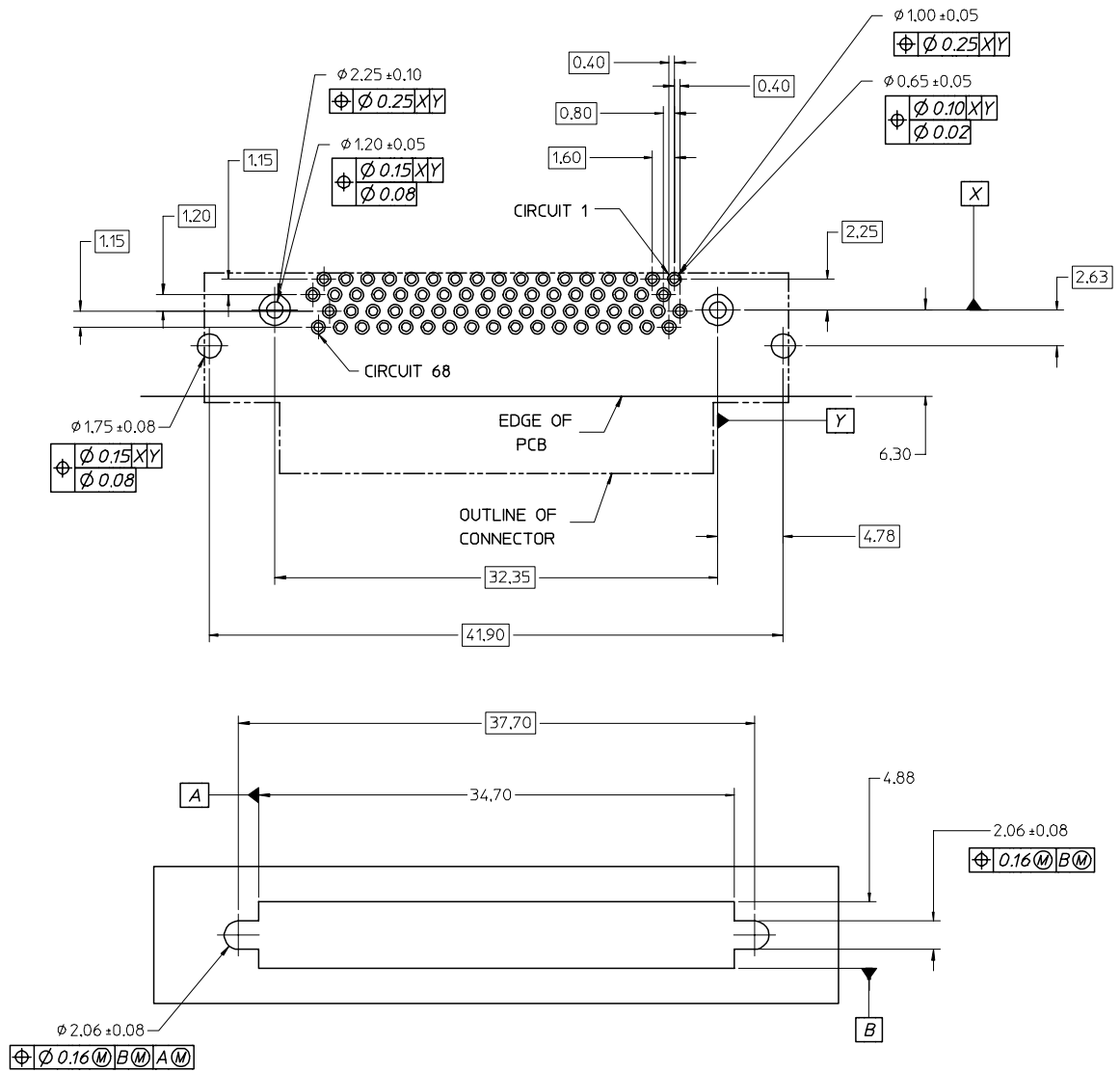
EC NO: UCP2004-0517 DRWN: RLWHITE 2003/10/15 CHKD: BBARKER 2003/10/17 APPR: SMILLER 2003/10/22	QUALITY SYMBOLS ▽-0 ◻-0	GENERAL TOLERANCES (UNLESS SPECIFIED)		SCALE 4:1	DESIGN UNITS METRIC	THIRD ANGLE PROJECTION	REVISE ON CAD ONLY		
			m/m	INCH	DIMENSION STYLE MM ONLY		TITLE VHD CI RIGHT ANGLE ASSEMBLY		
		4 PLACES ± --- ± ---	3 PLACES ± --- ± ---	2 PLACES ± 0.13 ± ---	1 PLACE ± 0.25 ± ---	DRAWN BY KSTILES	DATE 11/14/2002	MOLEX INCORPORATED	
		ANGULAR ±1/2°				CHECKED BY KSTILES	DATE 11/15/2002	MATERIAL NO. SEE CHART	DOCUMENT NO. SD-71430-015
	DRAFT WHERE APPLICABLE MUST REMAIN WITHIN DIMENSIONS			APPROVED BY MBNAKIS	DATE 11/22/2002	SHEET NO. 1 OF 3			
THIS DRAWING CONTAINS INFORMATION THAT IS PROPRIETARY TO MOLEX INCORPORATED AND SHOULD NOT BE USED WITHOUT WRITTEN PERMISSION									

PCB THICKNESS	PART NUMBER	TAIL LENGTH 'T'	ENHANCED GROUND TABS	SCREWLOCKS
1.60	71430-0101	2.08	NO	NONE
1.60	71430-0007	2.08	NO	LOOSE IN BAGS
1.60	71430-0005	2.08	YES	NONE
1.60	71430-0008	2.08	YES	LOOSE IN BAGS
2.36	71430-0268	2.71	NO	NONE
2.36	71430-0006	2.71	NO	INSTALLED
2.36	71430-0004	2.71	YES	NONE
2.36	71430-0009	2.71	YES	INSTALLED
2.36	71430-0016	2.71	NO	LOOSE IN BAGS
2.36	71430-0019	2.71	YES	LOOSE IN BAGS



OPTIONAL SCREWLOCK
PART NUMBER 71433-0002

EC NO: UCP2004-0517 DRWN: RLWHITE 2003/10/15 CHKD: BBARKER 2003/10/17 APPR: SMILLER 2003/10/22	DESCRIPTION REV	QUALITY SYMBOLS	GENERAL TOLERANCES (UNLESS SPECIFIED)		SCALE	DESIGN UNITS	THIRD ANGLE PROJECTION	REVISE ON CAD ONLY	
		▼ - 0 ◻ - 0	mm INCH	4 PLACES ± --- ± ---	4:1	METRIC	TITLE		
				3 PLACES ± --- ± ---		MM ONLY	VHDCI RIGHT ANGLE ASSEMBLY		
				2 PLACES ± 0.13 ± ---			DRAWN BY DATE KSTILES 11/14/2002		
		1 PLACE ± 0.25 ± ---					CHECKED BY DATE KSTILES 11/15/2002		
			ANGULAR ±1/2°				APPROVED BY DATE MBNAKIS 11/22/2002		
			DRAFT WHERE APPLICABLE				MATERIAL NO. DOCUMENT NO. SHEET NO. SEE CHART SD-71430-015 2 OF 3		
			MUST REMAIN WITHIN DIMENSIONS				THIS DRAWING CONTAINS INFORMATION THAT IS PROPRIETARY TO MOLEX INCORPORATED AND SHOULD NOT BE USED WITHOUT WRITTEN PERMISSION		



NOTE:

FOR FULL MATE WITH PLUG, PANEL THICKNESS SHOULD NOT EXCEED 1.0mm.

FUNCTIONAL MATING WITH MOLEX PLUG CAN STILL BE MAINTAINED WITH PANELS AS THICK AS 2.5mm (BUT PLUG AND RECEPTACLE WILL NOT BE FULLY MATED).

EC NO: UCP2004-0517 DRWN: RLWHITE 2003/10/15 CHKD: BBARKER 2003/10/17 APPR: SWILLER 2003/10/22	QUALITY SYMBOLS	GENERAL TOLERANCES (UNLESS SPECIFIED)		SCALE 4:1	DESIGN UNITS METRIC	THIRD ANGLE PROJECTION	REVISE ON CAD ONLY
	▽ - 0 ◻ - 0		mm	INCH	DIMENSION STYLE MM ONLY		TITLE VHDCI RIGHT ANGLE ASSEMBLY
		4 PLACES	± ---	± ---	DRAWN BY KSTILES	DATE 11/14/2002	
		3 PLACES	± ---	± ---	CHECKED BY KSTILES	DATE 11/15/2002	
		2 PLACES	± 0.13	APPROVED BY MBNAKIS	DATE 11/22/2002	MATERIAL NO. SEE CHART	DOCUMENT NO. SD-71430-015
		1 PLACE	± 0.25	DRAFT WHERE APPLICABLE MUST REMAIN WITHIN DIMENSIONS		THIS DRAWING CONTAINS INFORMATION THAT IS PROPRIETARY TO MOLEX INCORPORATED AND SHOULD NOT BE USED WITHOUT WRITTEN PERMISSION	SHEET NO. 3 OF 3