

NOTES:

1. MATERIALS:

- HOUSING: HIGH TEMPERATURE THERMOPLASTIC, UL94 V-0, COLOR:BLACK
- TAIL ALIGNER: HIGH TEMPERATURE THERMOPLASTIC, UL94 V-0, COLOR:BLACK
- TERMINAL: HIGH PERFORMANCE COPPER ALLOY
- BRACKET: BRASS
- SHELL: STEEL
- INSERT: BRASS

2. FINISHES:

- TERMINAL: 0.05-0.25 MICROMETERS GOLD FLASH IN CRITICAL AREA OVER 0.75 MICROMETERS MINIMUM PALLADIUM NICKEL IN CRITICAL AREA. 1.87 MICROMETERS MINIMUM TIN IN SOLDER TAIL AREA OVER 1.25 MICROMETERS MINIMUM NICKEL.
- BRACKET: 5.0 MICROMETERS BRIGHT TIN OVER 2.50 MICROMETERS COPPER.
- SHIELD: 3.8 MICROMETERS MINIMUM BRIGHT TIN OVER 1.3 MICROMETERS MINIMUM NICKEL OVER COPPER FLASH (OPTIONAL).
- INSERT: 2.54 MICROMETERS MINIMUM NICKEL.

3. PART PERFORMS TO MOLEX PRODUCT SPECIFICATION

PS-71425-9999.

4. PACKAGE PER PK-70873-0823.

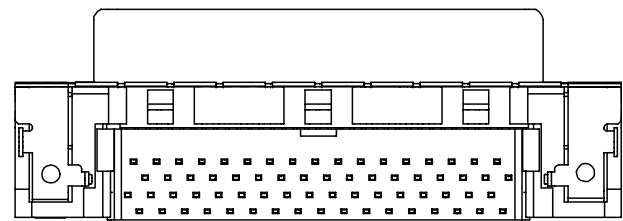
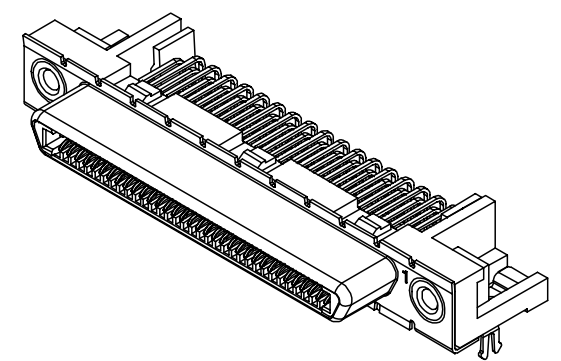
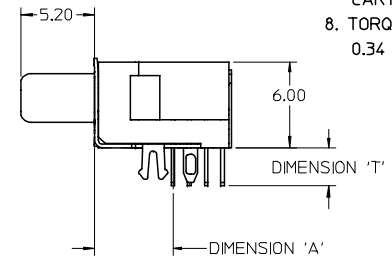
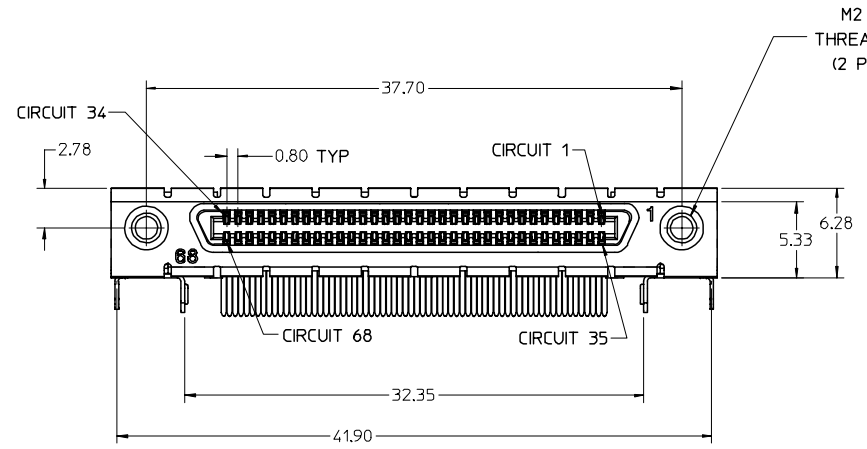
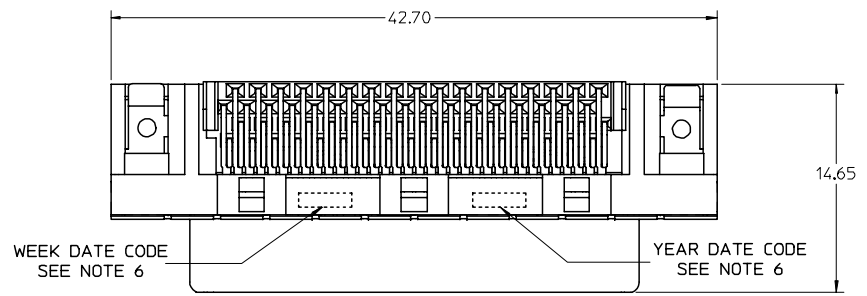
5. APPLICABLE STANDARDS: EIA-3652 AND SFF-8441.

6. DATE CODE: YR/WK PER EIA-476-A.

7. THE PRIMARY SHIPPING CATRON WILL BE LABELED "COMPLIANT TO ROHS DIRECTIVE 2002/95/EC AND ELV ANNEX II OF DIRECTIVE 2000/53/EC". CARTONS WITHOUT THIS LABEL MAY CONTAIN PRODUCT WITH LEAD

8. TORQUE TO INSTALL SCREWLOCKS INTO THREADED INSERTS:

0.34 Nm MAXIMUM.



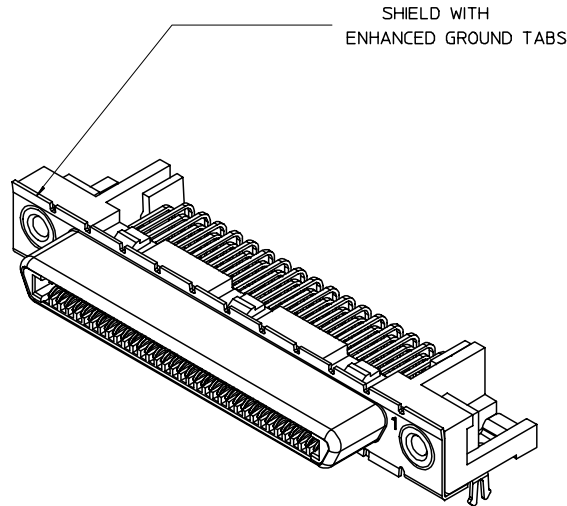
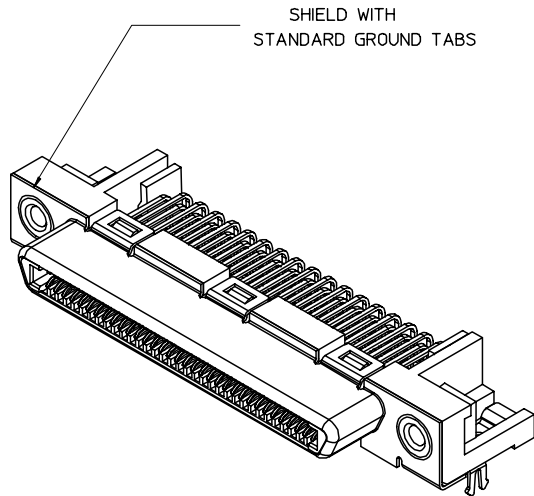
ADD DIM. TO PCB LAYOUT	QUALITY SYMBOLS
EC NO: UCP2007-0783	▽=0
DRWN:MSIBARRA 2006/10/12	▽=0
CHKD:BBARKER 2006/10/24	
APPR:SMILLER 2006/10/25	
REV	DESCRIPTION
J	

GENERAL TOLERANCES (UNLESS SPECIFIED)	
	mm
	INCH
4 PLACES	± --- ± ---
3 PLACES	± --- ± ---
2 PLACES	± 0.13 ± ---
1 PLACE	± 0.25 ± ---
ANGULAR ±1/2°	
DRAFT WHERE APPLICABLE	
MUST REMAIN WITHIN DIMENSIONS	

SCALE	DESIGN UNITS
4:1	METRIC
DIMENSION STYLE	
MM ONLY	
DRAWN BY	DATE
KSTILES	11/14/2002
CHECKED BY	DATE
KSTILES	11/15/2002
APPROVED BY	DATE
MBNAKIS	11/22/2002

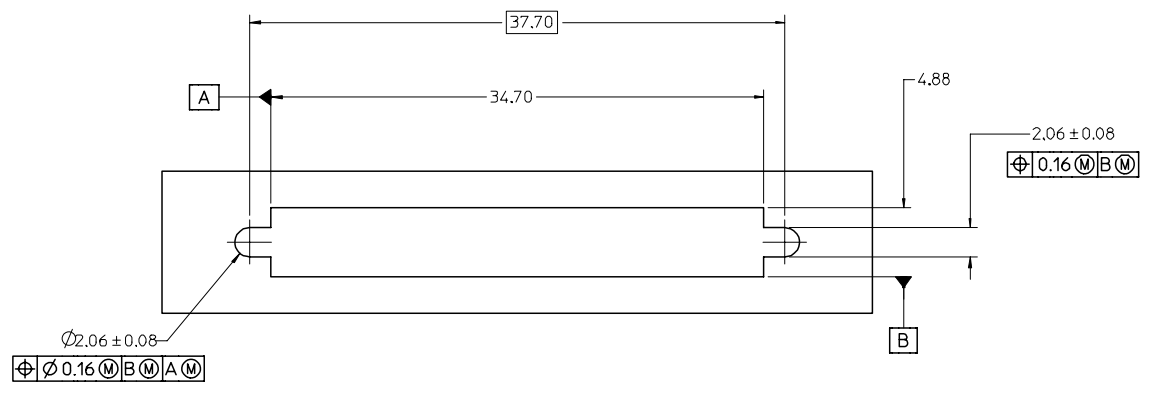
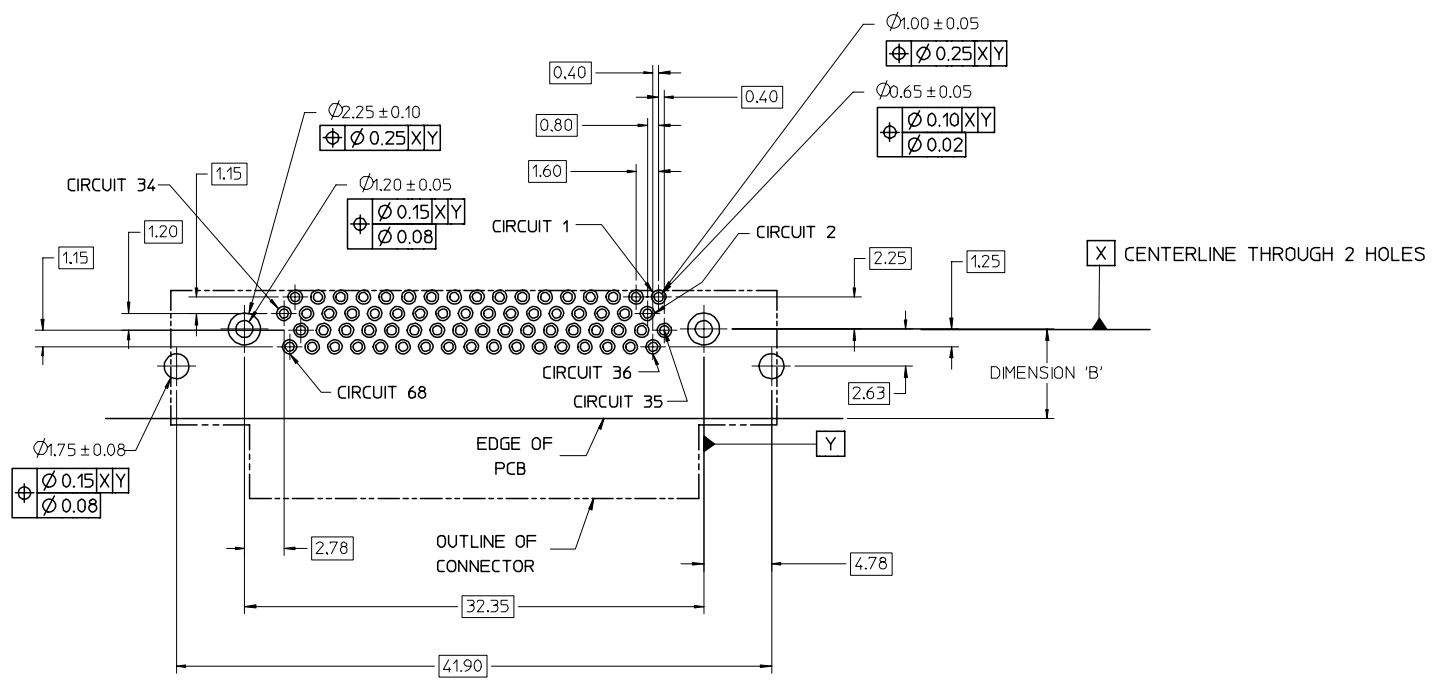
THIRD ANGLE PROJECTION	REVISE ON CAD ONLY
TITLE	
VHDCI RIGHT ANGLE ASSEMBLY	
MOLEX INCORPORATED	
MATERIAL NO.	DOCUMENT NO.
SEE CHART	SD-71430-015
SHEET NO.	1 OF 3
THIS DRAWING CONTAINS INFORMATION THAT IS PROPRIETARY TO MOLEX INCORPORATED AND SHOULD NOT BE USED WITHOUT WRITTEN PERMISSION	

PCB THICKNESS	PART NUMBER	TAIL LENGTH 'T'	ENHANCED GROUND TABS	SCREWLOCKS	TAIL LOC. 'A'	HOLE LOC. 'B'
1.60	71430-0101	2.08	NO	NONE	5.50	6.30
1.60	71430-0007	2.08	NO	LOOSE IN BAGS	5.50	6.30
1.60	71430-0005	2.08	YES	NONE	5.50	6.30
1.60	71430-0008	2.08	YES	LOOSE IN BAGS	5.50	6.30
2.36	71430-0268	2.71	NO	NONE	5.50	6.30
2.36	71430-0006	2.71	NO	INSTALLED	5.50	6.30
2.36	71430-0004	2.71	YES	NONE	5.50	6.30
2.36	71430-0009	2.71	YES	INSTALLED	5.50	6.30
2.36	71430-0016	2.71	NO	LOOSE IN BAGS	5.50	6.30
2.36	71430-0019	2.71	YES	LOOSE IN BAGS	5.50	6.30
2.36	71430-0010	2.71	YES	NONE	5.00	5.80
1.60	71430-0011	2.08	YES	NONE	5.00	5.80



OPTIONAL SCREWLOCK
PART NUMBER 71433-0002

UPDATE REV LEVEL EC NO: UCP2007-0783 DRWN:MSIBARRA 2006/10/12 CHKD:BBARKER 2006/10/24 APPR:SMILLER 2006/10/25	QUALITY SYMBOLS ▽=0 ◁=0	GENERAL TOLERANCES (UNLESS SPECIFIED)		SCALE 4:1	DESIGN UNITS METRIC	THIRD ANGLE PROJECTION	REVISE ON CAD ONLY	
		4 PLACES ± --- ± ---	3 PLACES ± --- ± ---	DIMENSION STYLE MM ONLY		TITLE VHDCI RIGHT ANGLE ASSEMBLY		
		2 PLACES ±0.13 ± ---	1 PLACE ±0.25 ± ---	DRAWN BY KSTILES	DATE 11/14/2002	MATERIAL NO. SEE CHART		
		ANGULAR ±1/2°		CHECKED BY KSTILES	DATE 11/15/2002	DOCUMENT NO. SD-71430-015	SHEET NO. 2 OF 3	THIS DRAWING CONTAINS INFORMATION THAT IS PROPRIETARY TO MOLEX INCORPORATED AND SHOULD NOT BE USED WITHOUT WRITTEN PERMISSION
DRAFT WHERE APPLICABLE MUST REMAIN WITHIN DIMENSIONS		APPROVED BY MBAKIS	DATE 11/22/2002					



NOTE:
FOR FULL MATE WITH PLUG, PANEL THICKNESS SHOULD NOT EXCEED 1.0mm.

FUNCTIONAL MATING WITH MOLEX PLUG CAN STILL BE MAINTAINED WITH PANELS AS THICK AS 2.5mm (BUT PLUG AND RECEPTACLE WILL NOT BE FULLY MATED).

ADD DIM. TO PCB LAYOUT EC NO: UCP2007-0783 DRWN: MSIBARRA 2006/10/12 CHKD: BBARKER 2006/10/24 APPR: SMILLER 2006/10/25	QUALITY SYMBOLS ▽ = 0 ▽ = 0	GENERAL TOLERANCES (UNLESS SPECIFIED)		SCALE 4:1	DESIGN UNITS METRIC	THIRD ANGLE PROJECTION	REVISE ON CAD ONLY		
				DIMENSION STYLE MM ONLY		TITLE VHDCI RIGHT ANGLE ASSEMBLY			
		4 PLACES ± --- ± ---	3 PLACES ± --- ± ---	2 PLACES ± 0.13 ± ---	1 PLACE ± 0.25 ± ---	DRAWN BY KSTILES	DATE 11/14/2002	MATERIAL NO. SEE CHART	
		ANGULAR ±1/2°				CHECKED BY KSTILES	DATE 11/15/2002	DOCUMENT NO. SD-71430-015	SHEET NO. 3 OF 3
DRAFT WHERE APPLICABLE MUST REMAIN WITHIN DIMENSIONS				APPROVED BY MBNAKIS	DATE 11/22/2002	THIS DRAWING CONTAINS INFORMATION THAT IS PROPRIETARY TO MOLEX INCORPORATED AND SHOULD NOT BE USED WITHOUT WRITTEN PERMISSION			