

NOTES:

1. MATERIALS:

HOUSING: GLASS-FILLED LIQUID CRYSTAL POLYMER (LCP), UL94 V-0, COLOR: BLACK  
 TAIL ALIGNER: GLASS-FILLED LIQUID CRYSTAL POLYMER (LCP),  
 TERMINAL: PHOSPHOR BRONZE  
 BRACKET: BRASS  
 SHELL: STEEL  
 INSERT: BRASS

2. FINISHES:

TERMINAL: 0.05-0.25 MICROMETERS GOLD FLASH IN CRITICAL AREA  
 OVER 0.75 MICROMETERS MINIMUM PALLADIUM NICKEL IN  
 CRITICAL AREA. 1.87 MICROMETERS MINIMUM TIN IN  
 SOLDER TAIL AREA OVER A NICKEL UNDERPLATE.  
 SHIELD: 3.8 MICROMETERS MINIMUM BRIGHT TIN OVER NICKEL.  
 INSERT: 2.54 MICROMETERS MINIMUM NICKEL.

3. PART CONFORMS TO MOLEX PRODUCT SPECIFICATION PS-71425-9999.

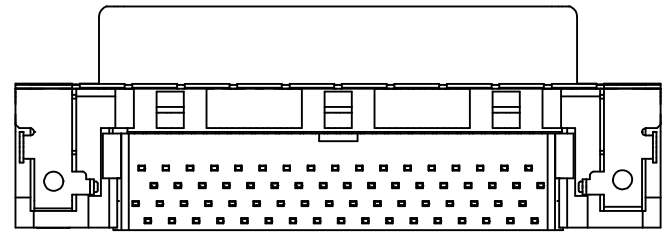
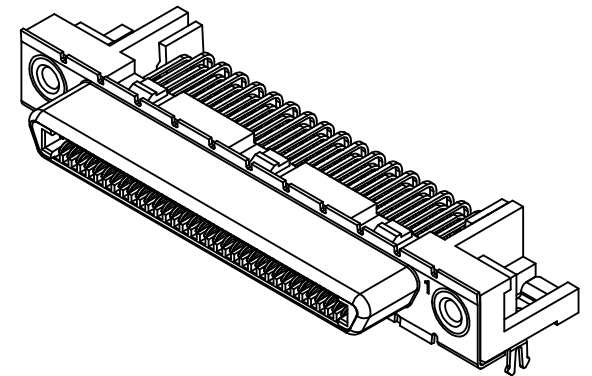
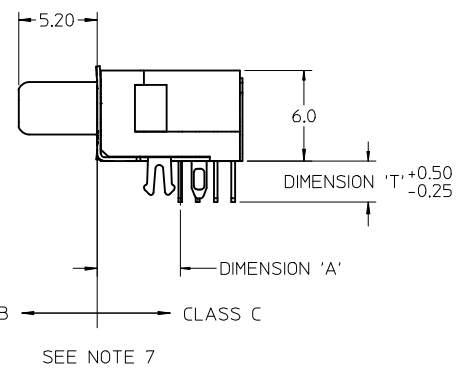
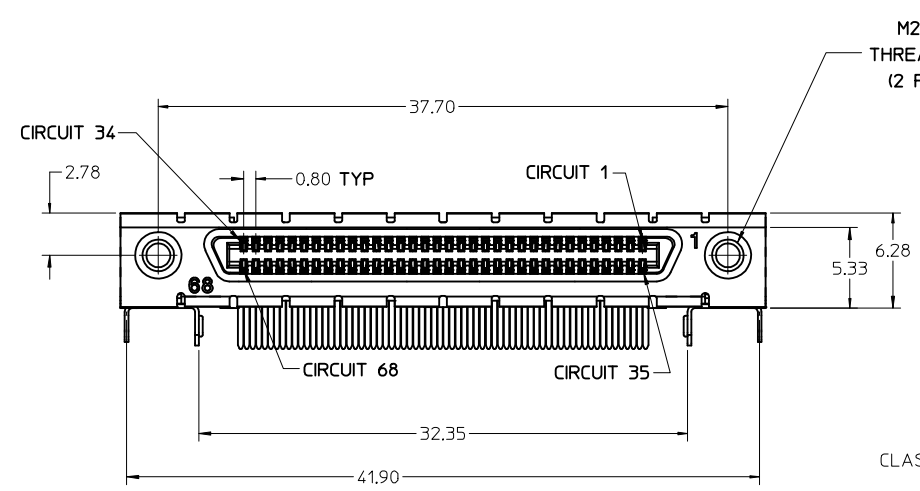
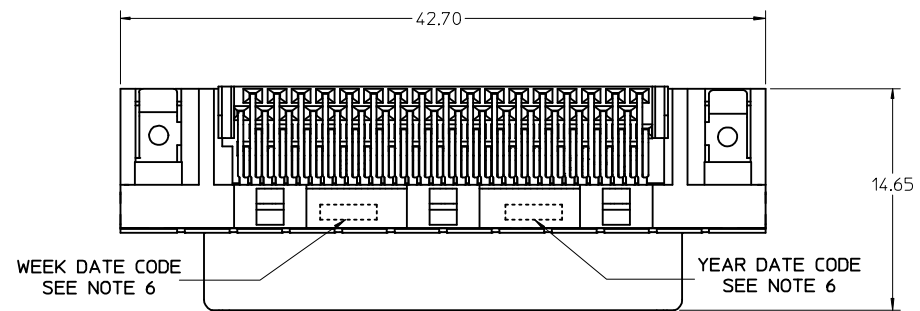
4. PACKAGED PER PK-71430-0101.

5. APPLICABLE STANDARDS: EIA-3652 AND SFF-8441.

6. DATE CODE: YR/WK PER EIA-476-A.

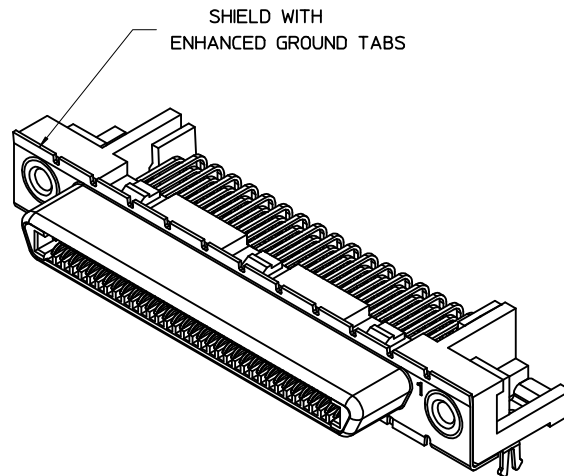
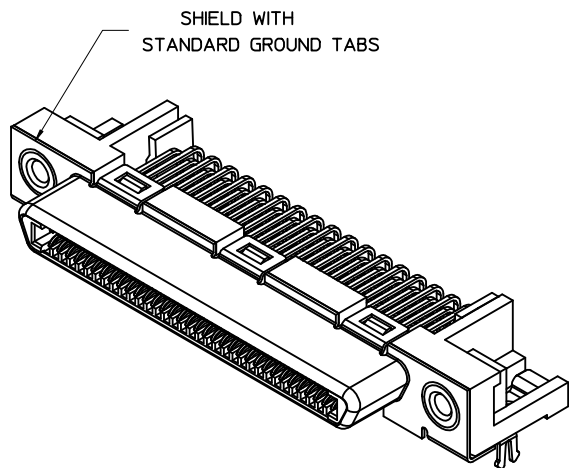
7. PRODUCT COMPLIES WITH COSMETIC SPECIFICATION PS-45499-002.  
SEE SIDE VIEW FOR SURFACE CLASSIFICATIONS.

8. TORQUE TO INSTALL SCREWLOCKS INTO THREADED INSERTS:  
0.34 Nm MAXIMUM.



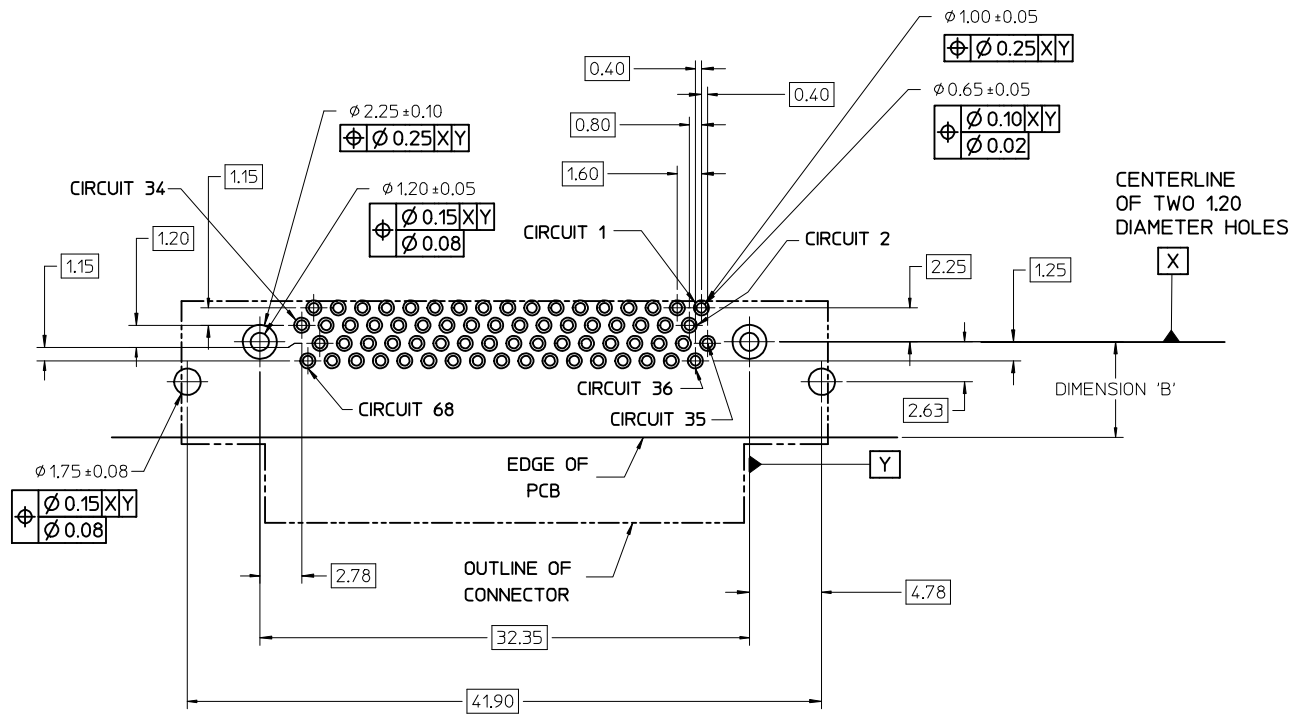
<b>FIX TAIL TOLERANCE</b> EC NO: UCP2012-3896 DRW: BARKER 2012/05/29 CHKD: MWLF APPR: SMILLER 2012/08/31	QUALITY SYMBOLS 	GENERAL TOLERANCES (UNLESS SPECIFIED)		DIMENSION STYLE	SCALE	DESIGN UNITS	THIRD ANGLE PROJECTION		
				MM ONLY	4:1	METRIC			
				DRAWN BY DATE	TITLE	<b>VHDCI RIGHT ANGLE ASSEMBLY</b>  			
				CHECKED BY DATE					
		ANGULAR ±1/2°		MATERIAL NO.	DOCUMENT NO.	SHEET NO.			
		DRAFT WHERE APPLICABLE MUST REMAIN WITHIN DIMENSIONS		SEE SHEET 2	SD-71430-015	1 OF 3			
				THIS DRAWING CONTAINS INFORMATION THAT IS PROPRIETARY TO MOLEX INCORPORATED AND SHOULD NOT BE USED WITHOUT WRITTEN PERMISSION					

PCB THICKNESS	PART NUMBER	TAIL LENGTH *T* (SEE FIGURE FOR TOLERANCE)	ENHANCED GROUND TABS	SCREWLOCKS	TAIL LOC. *A*	HOLE LOCATION *B*
1.60	71430-0101	2.08	NO	NONE	5.5	6.50 MAXIMUM
1.60	71430-0007	2.08	NO	LOOSE IN BAGS		
1.60	71430-0005	2.08	YES	NONE		
1.60	71430-0008	2.08	YES	LOOSE IN BAGS		
2.36	71430-0268	2.71	NO	NONE		
2.36	71430-0006	2.71	NO	INSTALLED		
2.36	71430-0004	2.71	YES	NONE		
2.36	71430-0009	2.71	YES	INSTALLED		
2.36	71430-0016	2.71	NO	LOOSE IN BAGS		
2.36	71430-0019	2.71	YES	LOOSE IN BAGS		
2.36	71430-0012	2.71	YES	NONE	5.3	6.30 MAXIMUM
1.60	71430-0013	2.08	YES	NONE		



OPTIONAL SCREWLOCK  
PART NUMBER 71433-0002

SEE SHEET 1 EC NO: UCP2012-3896 DRWN:BBARKER 2012/05/29 CHKD:MMOLFE APPR:SMILLER 2012/08/31	QUALITY SYMBOLS	GENERAL TOLERANCES (UNLESS SPECIFIED)	DIMENSION STYLE	SCALE	DESIGN UNITS	THIRD ANGLE PROJECTION
	▽=0	mm INCH	MM ONLY	4:1	METRIC	
	▽=0	4 PLACES ± --- ± ---	DRAWN BY DATE	TITLE		
	▽=0	3 PLACES ± --- ± ---	CHECKED BY DATE	VHDCI RIGHT ANGLE ASSEMBLY		
	2 PLACES ± 0.13 ± ---	APPROVED BY DATE	molex			
	1 PLACE ± 0.25 ± ---	MATERIAL NO.	DOCUMENT NO.			
	0 PLACE ± ±	SEE TABLE	SD-71430-015			
	ANGULAR ±1/2°	THIS DRAWING CONTAINS INFORMATION THAT IS PROPRIETARY TO MOLEX INCORPORATED AND SHOULD NOT BE USED WITHOUT WRITTEN PERMISSION	SHEET NO. 2 OF 3			
	DRAFT WHERE APPLICABLE MUST REMAIN WITHIN DIMENSIONS					



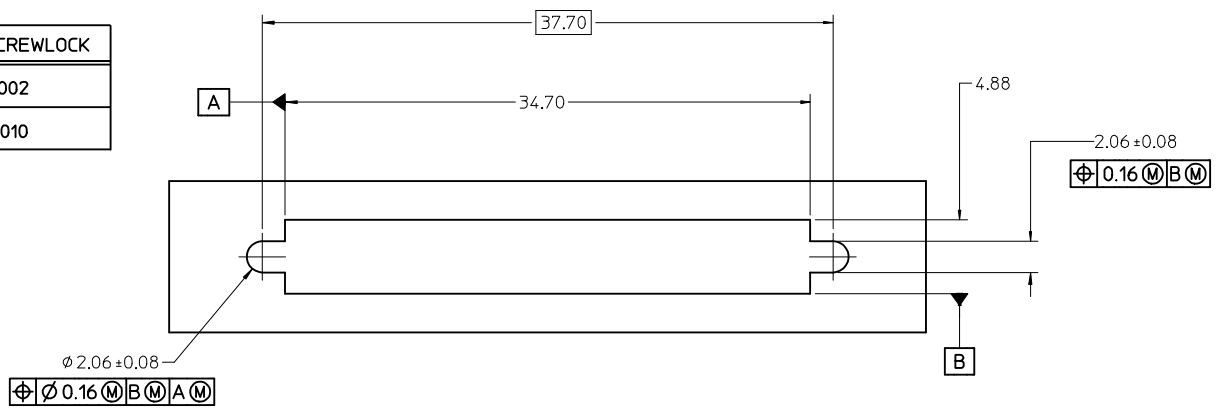
NOTES:

1. FOR FULL MATE WITH PLUG, PANEL THICKNESS SHOULD NOT EXCEED 1.0mm.

FUNCTIONAL MATING WITH MOLEX PLUG CAN STILL BE MAINTAINED WITH PANELS AS THICK AS 2.5mm (BUT PLUG AND RECEPTACLE WILL NOT BE FULLY MATED).

2. GUIDELINES FOR CHOOSING A MOLEX SCREWLOCK:

PANEL THICKNESS	RECOMMENDED SCREWLOCK
LESS THAN OR EQUAL TO 1.00 MM	71433-0002
1.01 TO 2.15 MM	71433-0010



SEE SHEET 1 EC NO: UCP2012-3896 DRAWN:BBARKER 2012/05/29 CHKD:HWOLFE APPR:SMILLER 2012/08/31	QUALITY SYMBOLS ▽=0 ▽=0 ▽=0	GENERAL TOLERANCES (UNLESS SPECIFIED)		DIMENSION STYLE MM ONLY		SCALE 4:1	DESIGN UNITS METRIC	THIRD ANGLE PROJECTION		
		4 PLACES ± --- ± ---	3 PLACES ± --- ± ---	2 PLACES ± 0.13 ± ---	1 PLACE ± 0.25 ± ---	0 PLACE ± ±	DRAWN BY DATE KSTILES 11/14/2002		CHECKED BY DATE KSTILES 11/15/2002	
		ANGULAR ±1/2°		APPROVED BY DATE MBNAKIS 11/22/2002		MATERIAL NO.		DOCUMENT NO.		SHEET NO.
		DRAFT WHERE APPLICABLE MUST REMAIN WITHIN DIMENSIONS		SEE SHEET 2		SD-71430-015		3 OF 3		
THIS DRAWING CONTAINS INFORMATION THAT IS PROPRIETARY TO MOLEX INCORPORATED AND SHOULD NOT BE USED WITHOUT WRITTEN PERMISSION										

NOTES:

1. MATERIALS:

HOUSING: GLASS-FILLED LIQUID CRYSTAL POLYMER (LCP), UL94 V-0, COLOR: BLACK  
TAIL ALIGNER: GLASS-FILLED LIQUID CRYSTAL POLYMER (LCP),  
TERMINAL: PHOSPHOR BRONZE  
BRACKET: BRASS  
SHELL: STEEL  
INSERT: BRASS

2. FINISHES:

TERMINAL: 0.05-0.25 MICROMETERS GOLD FLASH IN CRITICAL AREA  
OVER 0.75 MICROMETERS MINIMUM PALLADIUM NICKEL IN  
CRITICAL AREA. 1.87 MICROMETERS MINIMUM TIN IN  
SOLDER TAIL AREA OVER A NICKEL UNDERPLATE.  
SHIELD: 3.8 MICROMETERS MINIMUM BRIGHT TIN OVER NICKEL.  
INSERT: 2.54 MICROMETERS MINIMUM NICKEL.

3. PART CONFORMS TO MOLEX PRODUCT SPECIFICATION PS-71425-9999.

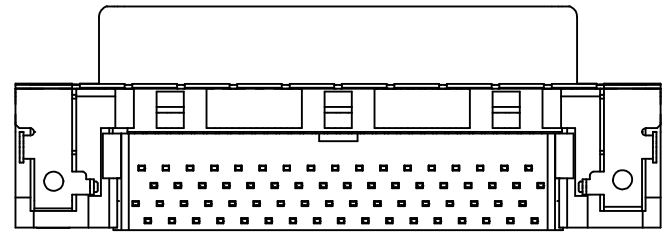
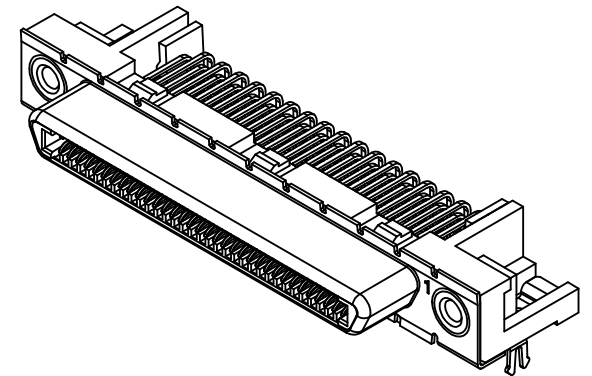
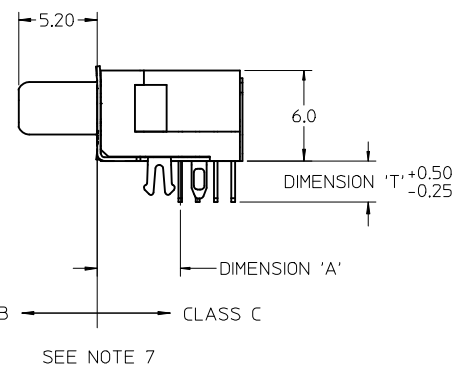
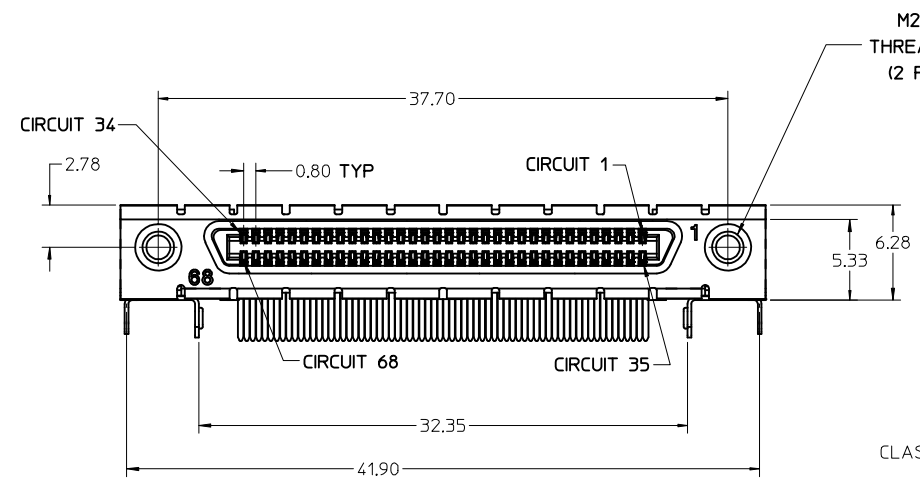
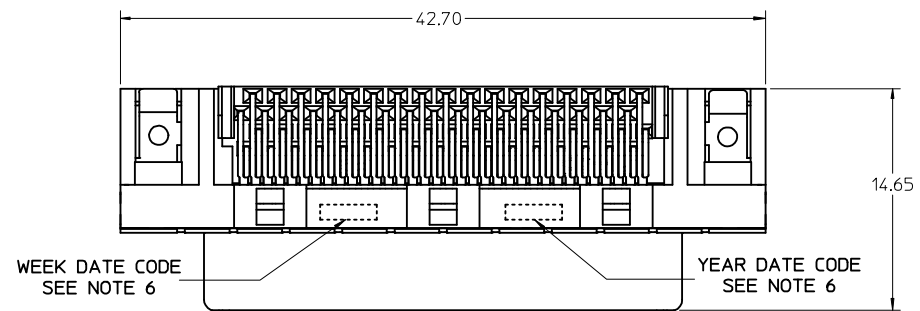
4. PACKAGED PER PK-71430-0101.

5. APPLICABLE STANDARDS: EIA-3652 AND SFF-8441.

6. DATE CODE: YR/WK PER EIA-476-A.

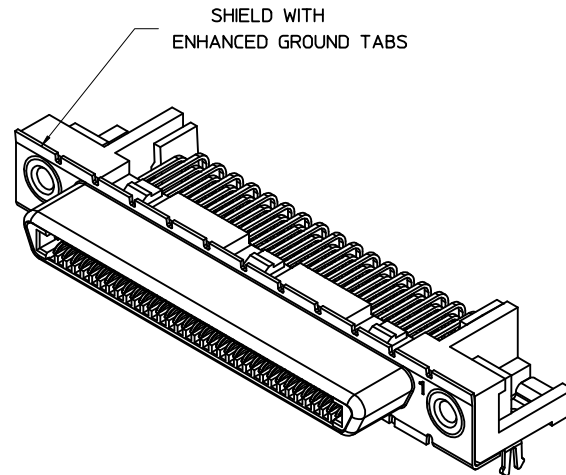
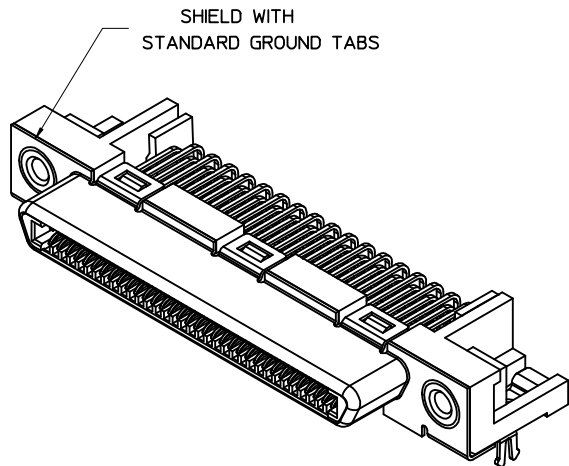
7. PRODUCT COMPLIES WITH COSMETIC SPECIFICATION PS-45499-002.  
SEE SIDE VIEW FOR SURFACE CLASSIFICATIONS.

8. TORQUE TO INSTALL SCREWLOCKS INTO THREADED INSERTS:  
0.34 Nm MAXIMUM.



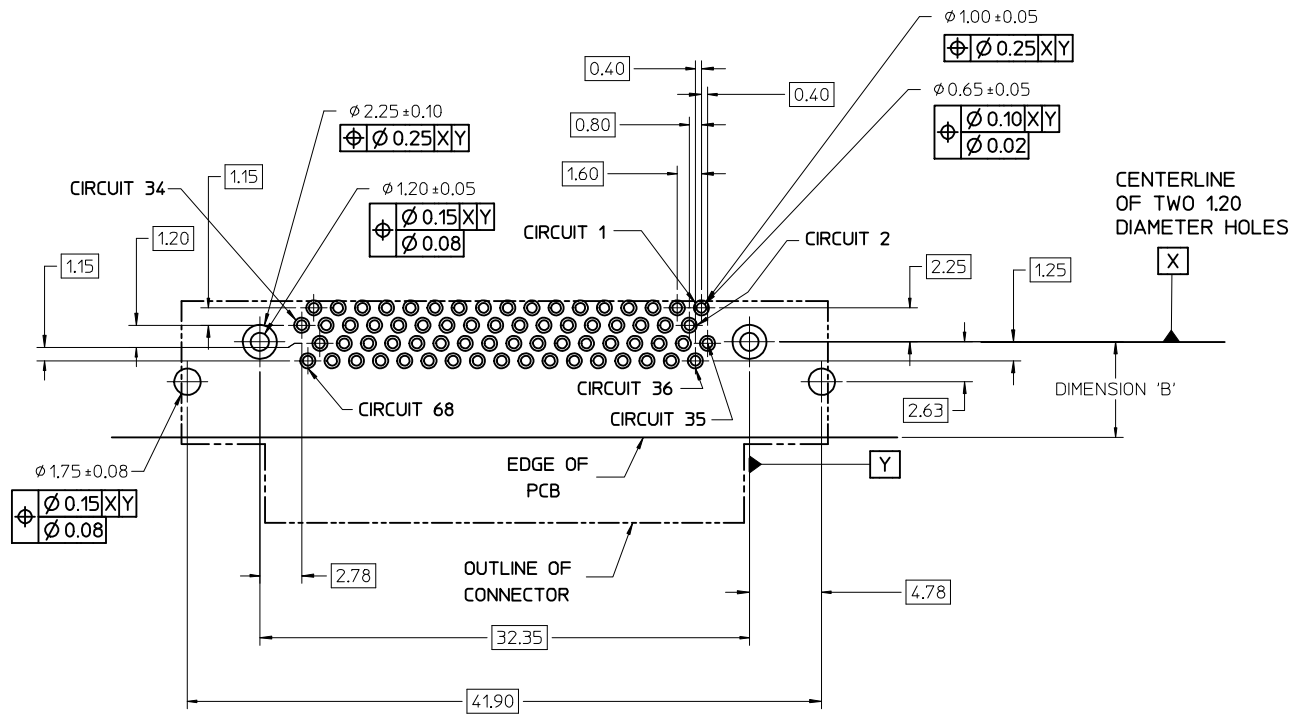
<b>FIX TAIL TOLERANCE</b> EC NO: UCP2012-3896 DRW:BBARKER 2012/05/29 CHKD:MMOLFE APPR:SMILLER 2012/08/31	QUALITY SYMBOLS 	GENERAL TOLERANCES (UNLESS SPECIFIED)		DIMENSION STYLE	SCALE	DESIGN UNITS	THIRD ANGLE PROJECTION	
				MM ONLY	4:1	METRIC		
				DRAWN BY	DATE	TITLE		
				CHECKED BY	DATE	VHDCI RIGHT ANGLE ASSEMBLY		
N	DESCRIPTION 2012/08/31	ANGULAR ±1/2°		MATERIAL NO.	DOCUMENT NO.	SHEET NO.		
		DRAFT WHERE APPLICABLE MUST REMAIN WITHIN DIMENSIONS		SEE SHEET 2	SD-71430-015	1 OF 3		
				<b>molex</b> THIS DRAWING CONTAINS INFORMATION THAT IS PROPRIETARY TO MOLEX INCORPORATED AND SHOULD NOT BE USED WITHOUT WRITTEN PERMISSION				

PCB THICKNESS	PART NUMBER	TAIL LENGTH *T* (SEE FIGURE FOR TOLERANCE)	ENHANCED GROUND TABS	SCREWLOCKS	TAIL LOC. *A*	HOLE LOCATION *B*
1.60	71430-0101	2.08	NO	NONE	5.5	6.50 MAXIMUM
1.60	71430-0007	2.08	NO	LOOSE IN BAGS		
1.60	71430-0005	2.08	YES	NONE		
1.60	71430-0008	2.08	YES	LOOSE IN BAGS		
2.36	71430-0268	2.71	NO	NONE		
2.36	71430-0006	2.71	NO	INSTALLED		
2.36	71430-0004	2.71	YES	NONE		
2.36	71430-0009	2.71	YES	INSTALLED		
2.36	71430-0016	2.71	NO	LOOSE IN BAGS		
2.36	71430-0019	2.71	YES	LOOSE IN BAGS		
2.36	71430-0012	2.71	YES	NONE	5.3	6.30 MAXIMUM
1.60	71430-0013	2.08	YES	NONE		



OPTIONAL SCREWLOCK  
PART NUMBER 71433-0002

SEE SHEET 1 EC NO: UCP2012-3896 DRWN:BBARKER 2012/05/29 CHKD:HMOLFE APPR:SMILLER 2012/08/31	QUALITY SYMBOLS	GENERAL TOLERANCES (UNLESS SPECIFIED)	DIMENSION STYLE	SCALE	DESIGN UNITS	THIRD ANGLE PROJECTION
	▽=0	mm INCH	MM ONLY	4:1	METRIC	
	▽=0	4 PLACES ± --- ± ---	DRAWN BY DATE	TITLE		
	▽=0	3 PLACES ± --- ± ---	KSTILES 11/14/2002	VHDCI RIGHT ANGLE ASSEMBLY		
	2 PLACES ± 0.13 ± ---	CHECKED BY DATE				
	1 PLACE ± 0.25 ± ---	KSTILES 11/15/2002				
	0 PLACE ± ±	APPROVED BY DATE	MATERIAL NO. DOCUMENT NO. SHEET NO.			
		MBNAKIS 11/22/2002	SEE TABLE SD-71430-015 2 OF 3			
		ANGULAR ±1/2°	THIS DRAWING CONTAINS INFORMATION THAT IS PROPRIETARY TO MOLEX INCORPORATED AND SHOULD NOT BE USED WITHOUT WRITTEN PERMISSION			
		DRAFT WHERE APPLICABLE MUST REMAIN WITHIN DIMENSIONS				



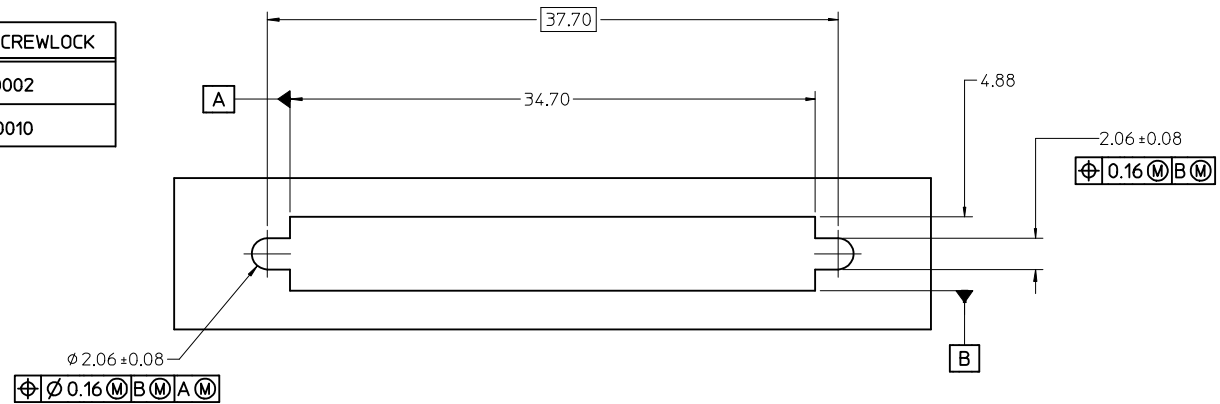
NOTES:

1. FOR FULL MATE WITH PLUG, PANEL THICKNESS SHOULD NOT EXCEED 1.0mm.

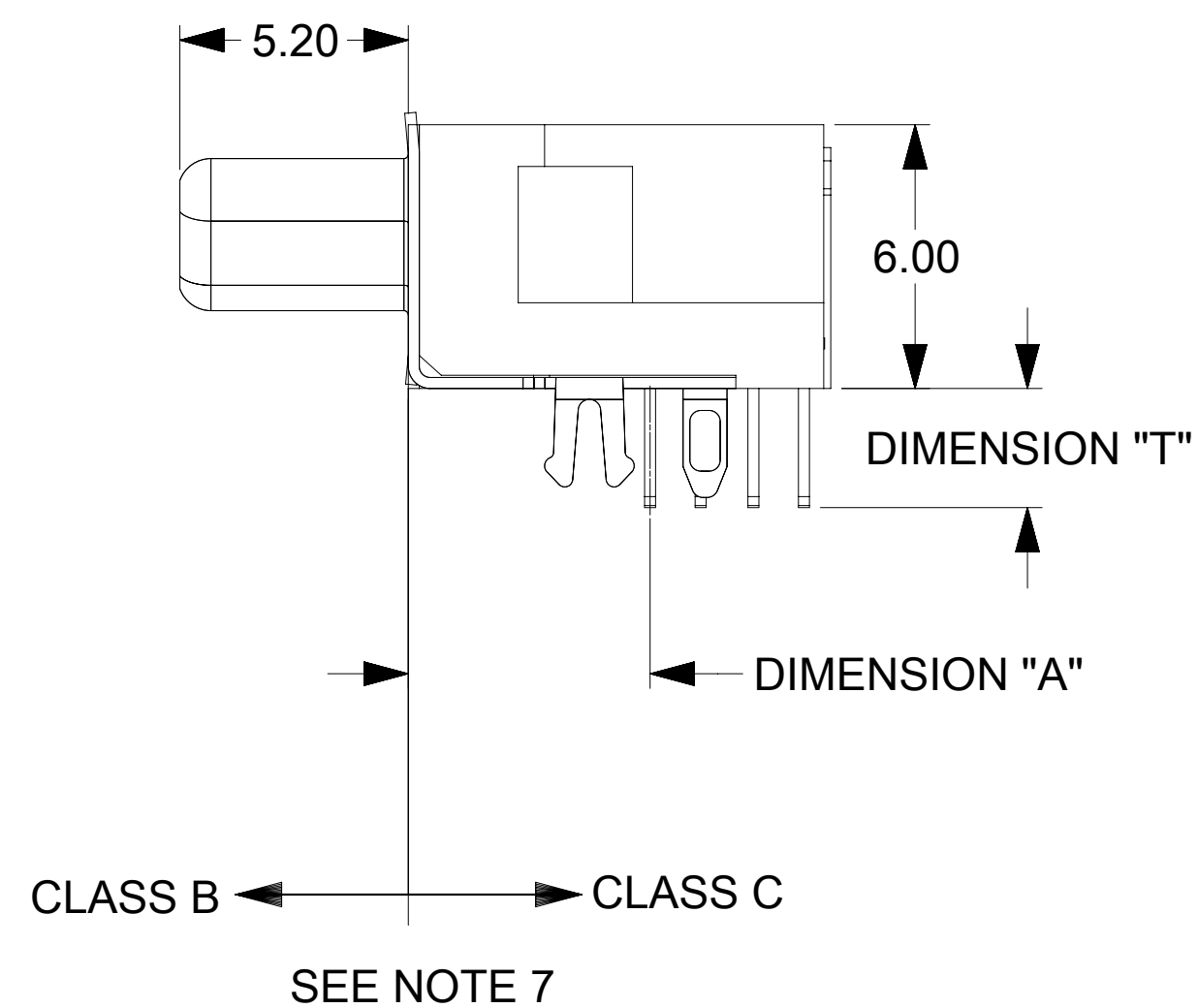
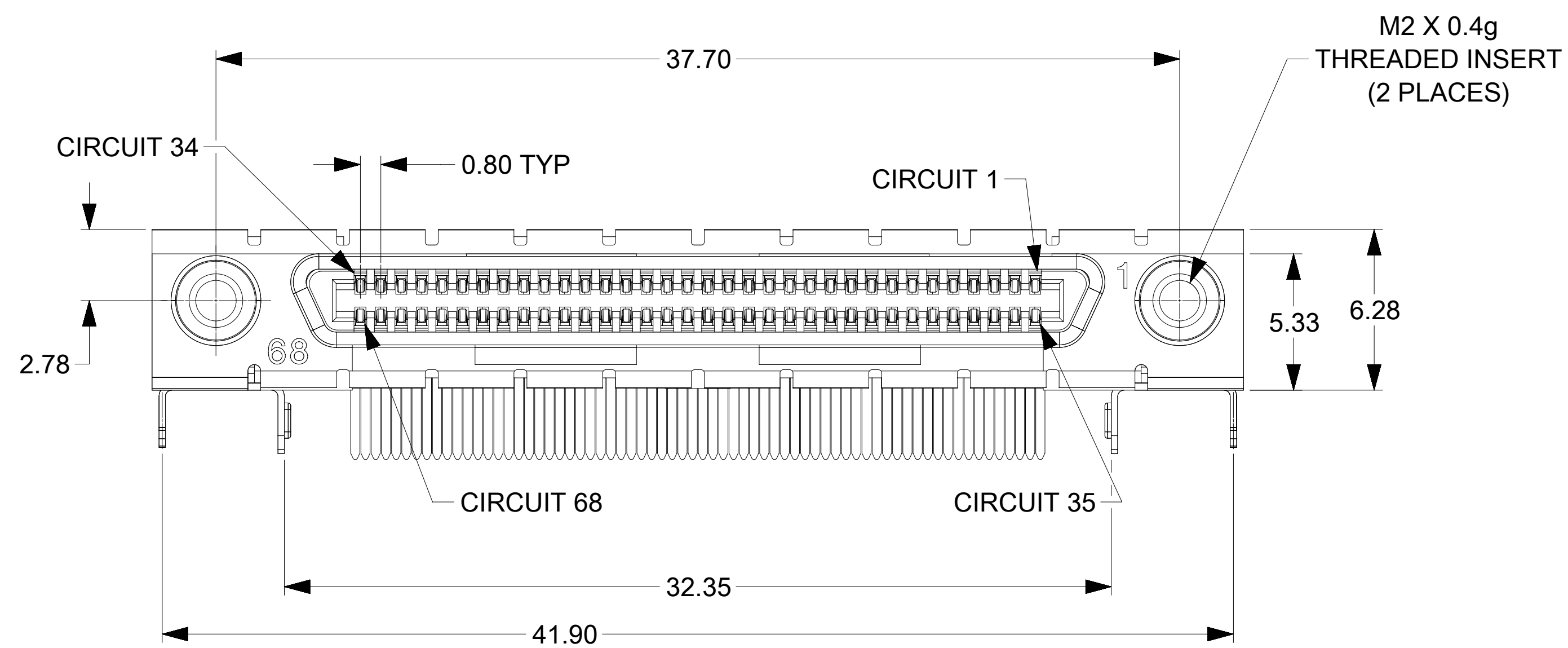
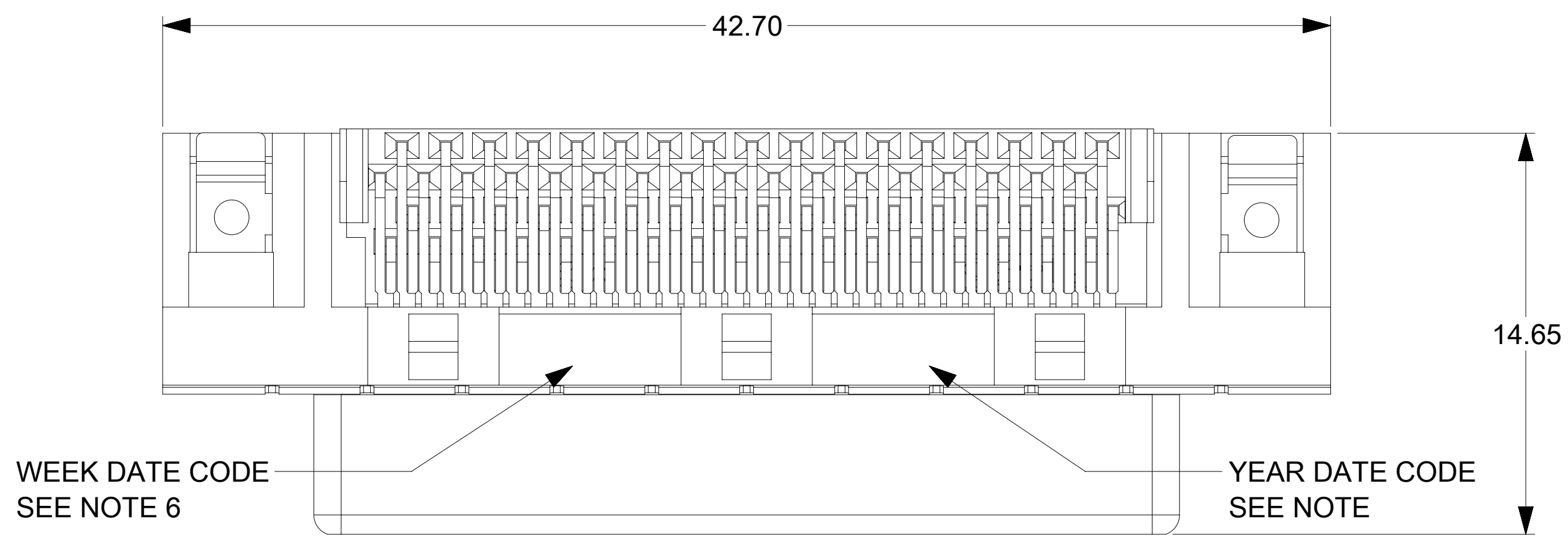
FUNCTIONAL MATING WITH MOLEX PLUG CAN STILL BE MAINTAINED WITH PANELS AS THICK AS 2.5mm (BUT PLUG AND RECEPTACLE WILL NOT BE FULLY MATED).

2. GUIDELINES FOR CHOOSING A MOLEX SCREWLOCK:

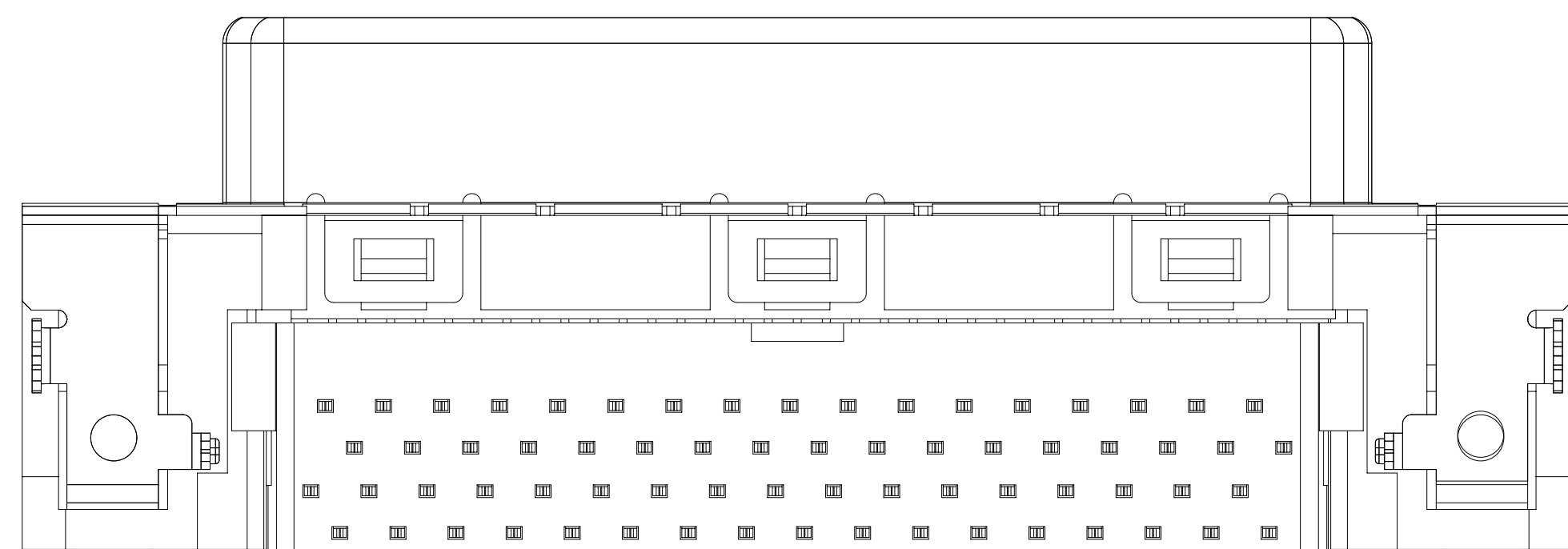
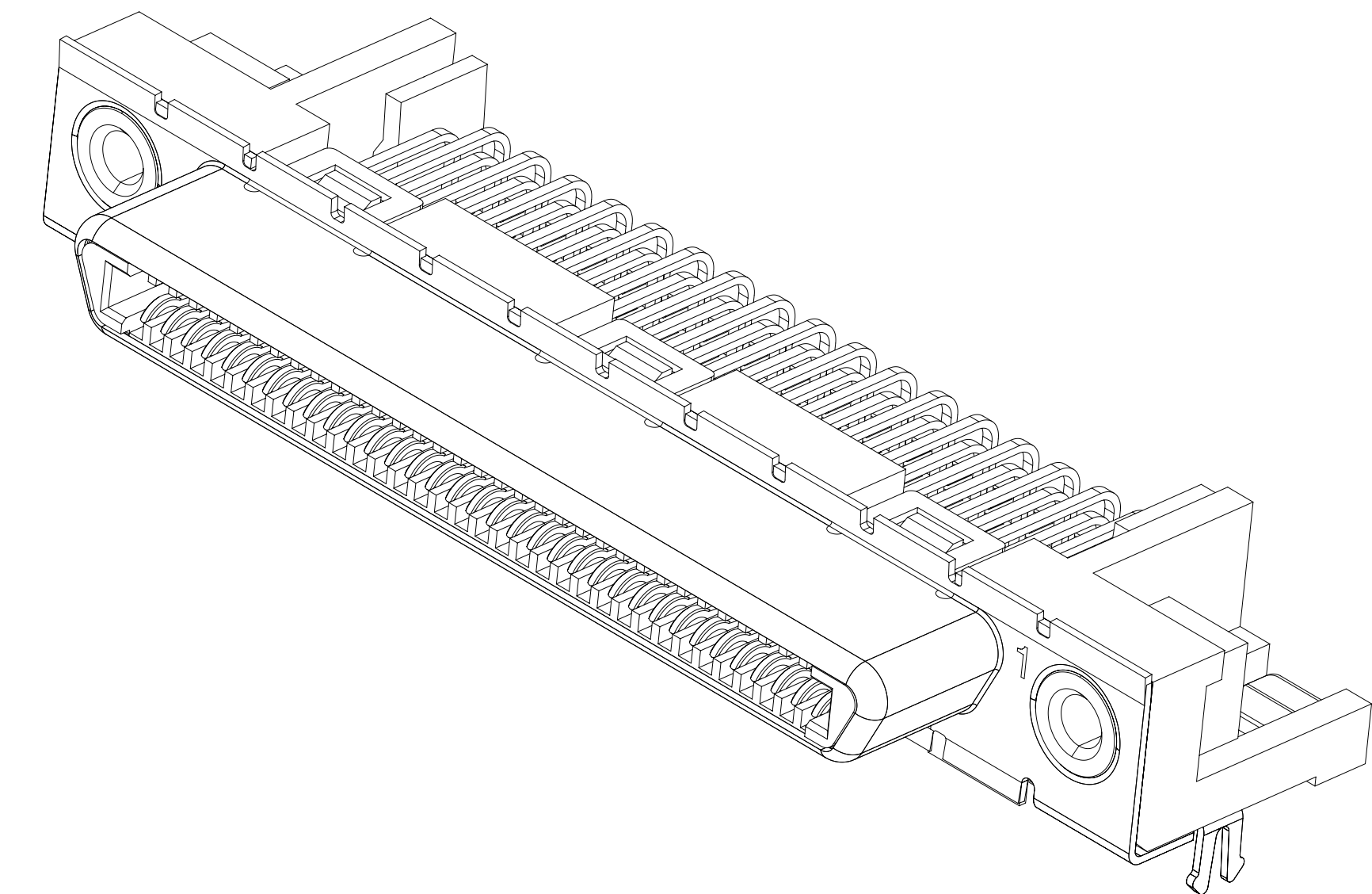
PANEL THICKNESS	RECOMMENDED SCREWLOCK
LESS THAN OR EQUAL TO 1.00 MM	71433-0002
1.01 TO 2.15 MM	71433-0010



SEE SHEET 1 EC NO: UCP2012-3896 DRAWN:BBARKER 2012/05/29 CHKD:HWOLFE APPR:SMILLER 2012/08/31	QUALITY SYMBOLS ▽=0 ▽=0 ▽=0	GENERAL TOLERANCES (UNLESS SPECIFIED)		DIMENSION STYLE <b>MM ONLY</b>		SCALE <b>4:1</b>	DESIGN UNITS <b>METRIC</b>	THIRD ANGLE PROJECTION	
		4 PLACES ± --- ± ---	DRAWN BY KSTILES	DATE 11/14/2002	TITLE <b>VHCI RIGHT ANGLE ASSEMBLY</b>				
		3 PLACES ± --- ± ---	CHECKED BY	DATE	<b>molex</b>				
		2 PLACES ± 0.13 ± ---	APPROVED BY MBNAKIS	DATE 11/15/2002					
1 PLACE ± 0.25 ± ---	ANGULAR ±1/2°		MATERIAL NO.	DOCUMENT NO. <b>SD-71430-015</b>	SHEET NO. <b>3 OF 3</b>				
0 PLACE ± ±	DRAFT WHERE APPLICABLE MUST REMAIN WITHIN DIMENSIONS		SIZE C	THIS DRAWING CONTAINS INFORMATION THAT IS PROPRIETARY TO MOLEX INCORPORATED AND SHOULD NOT BE USED WITHOUT WRITTEN PERMISSION					



- NOTES:
- MATERIALS:  
HOUSING: GLASS FILLED LIQUID CRYSTAL POLYMER (LCP),  
UL94 V-0, COLOR:BLACK  
TAIL ALIGNER: GLASS FILLED LIQUID CRYSTAL POLYMER (LCP),  
TERMINAL: HIGH PERFORMANCE COPPER ALLOY  
SHIELD: STEEL  
THREADED INSERT: BRASS
  - FINISHES:  
TERMINAL: 0.05-0.25 MICROMETERS GOLD FLASH IN CRITICAL AREA  
OVER 0.75 MICROMETERS MINIMUM PALLADIUM NICKEL IN  
CRITICAL AREA. 1.87 MICROMETERS MINIMUM MATTE TIN IN  
SOLDER TAIL AREA. OVERALL NICKEL UNDERPLATE.  
BRACKET: 5.0 MICROMETERS MINIMUM BRIGHT TIN OVER A COPPER UNDERPLATE.  
SHIELD: 3.8 MICROMETERS MINIMUM BRIGHT TIN OVER 1.3 MICROMETERS  
MINIMUM NICKEL OVER COPPER FLASH (OPTIONAL).  
THREADED INSERT: 2.54 MICROMETERS MINIMUM NICKEL.
  - PART CONFORMS TO MOLEX PRODUCT SPECIFICATION PS-71425-9999.
  - PRODUCT IS PACKAGED PER PK-71430-0101.
  - APPLICABLE STANDARDS: EIA-3652 AND SFF-8441.
  - DATE CODE: YR/WK PER EIA-476-A.
  - PRODUCT COMPLIES WITH COSMETIC SPECIFICATION PS-45499-002.  
SEE SIDE VIEW FOR SURFACE CLASSIFICATIONS.



SYMBOLS	THIS DRAWING CONTAINS INFORMATION THAT IS PROPRIETARY TO MOLEX ELECTRONIC TECHNOLOGIES, LLC AND SHOULD NOT BE USED WITHOUT WRITTEN PERMISSION			
DIMENSION UNITS	SCALE	CURRENT REV DESC:		
▽ = 0	mm	4:1		
▽ = 0	GENERAL TOLERANCES (UNLESS SPECIFIED)			
▽ = 0	ANGULAR TOL	± 0.5°		
▽ = 0	4 PLACES	±		
▽ = 0	3 PLACES	±		
▽ = 0	2 PLACES	± 0.13		
▽ = 0	1 PLACE	± 0.25		
▽ = 0	0 PLACES	±		
■ = 0	DRAFT WHERE APPLICABLE MUST REMAIN WITHIN DIMENSIONS			
▽ = 0	THIRD ANGLE PROJECTION	DRAWING	SERIES	
		D-SIZE	71430	
		MATERIAL NUMBER	CUSTOMER	
		GENERAL MARKET		
		SHEET NUMBER	1 OF 3	

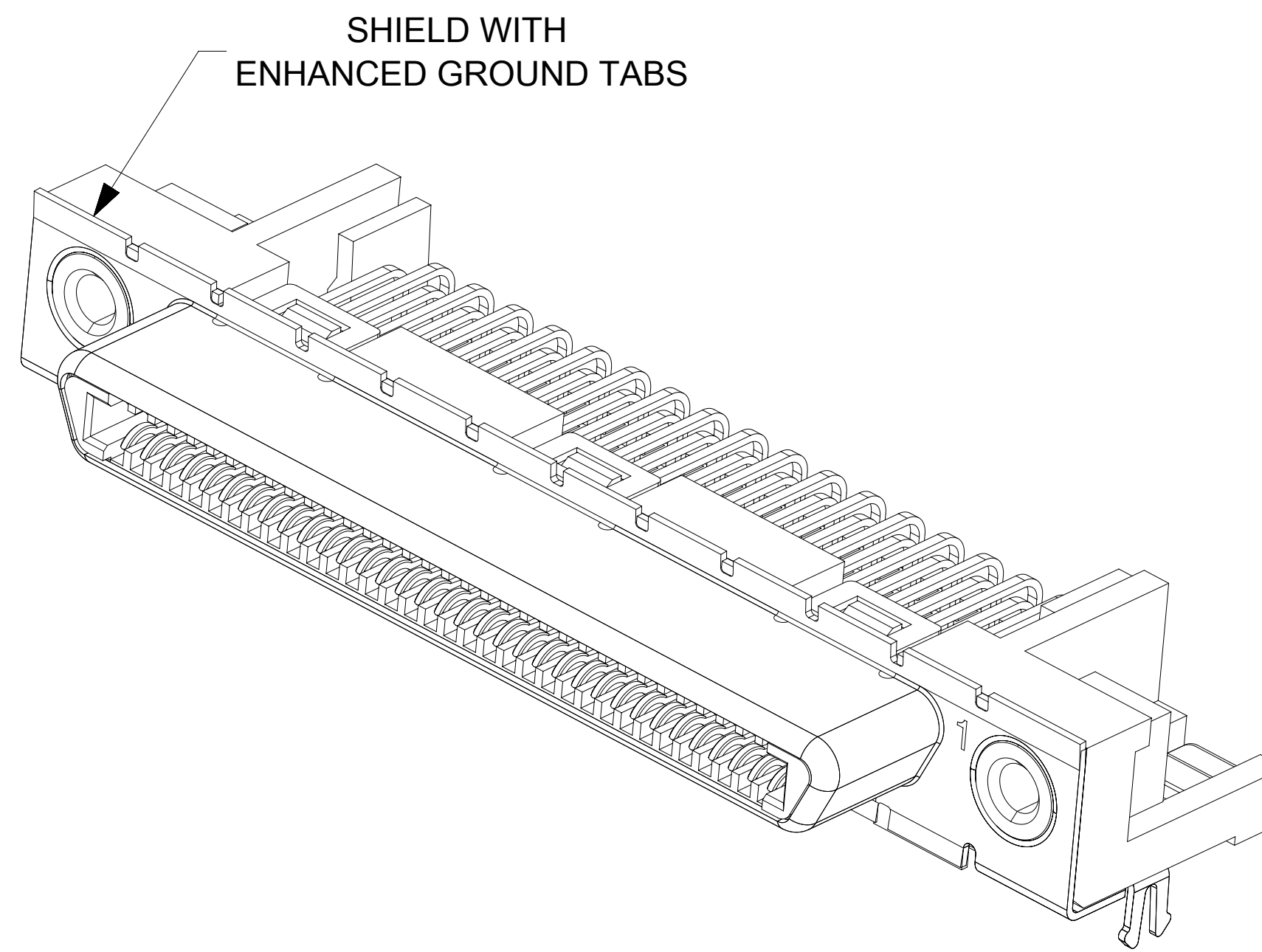
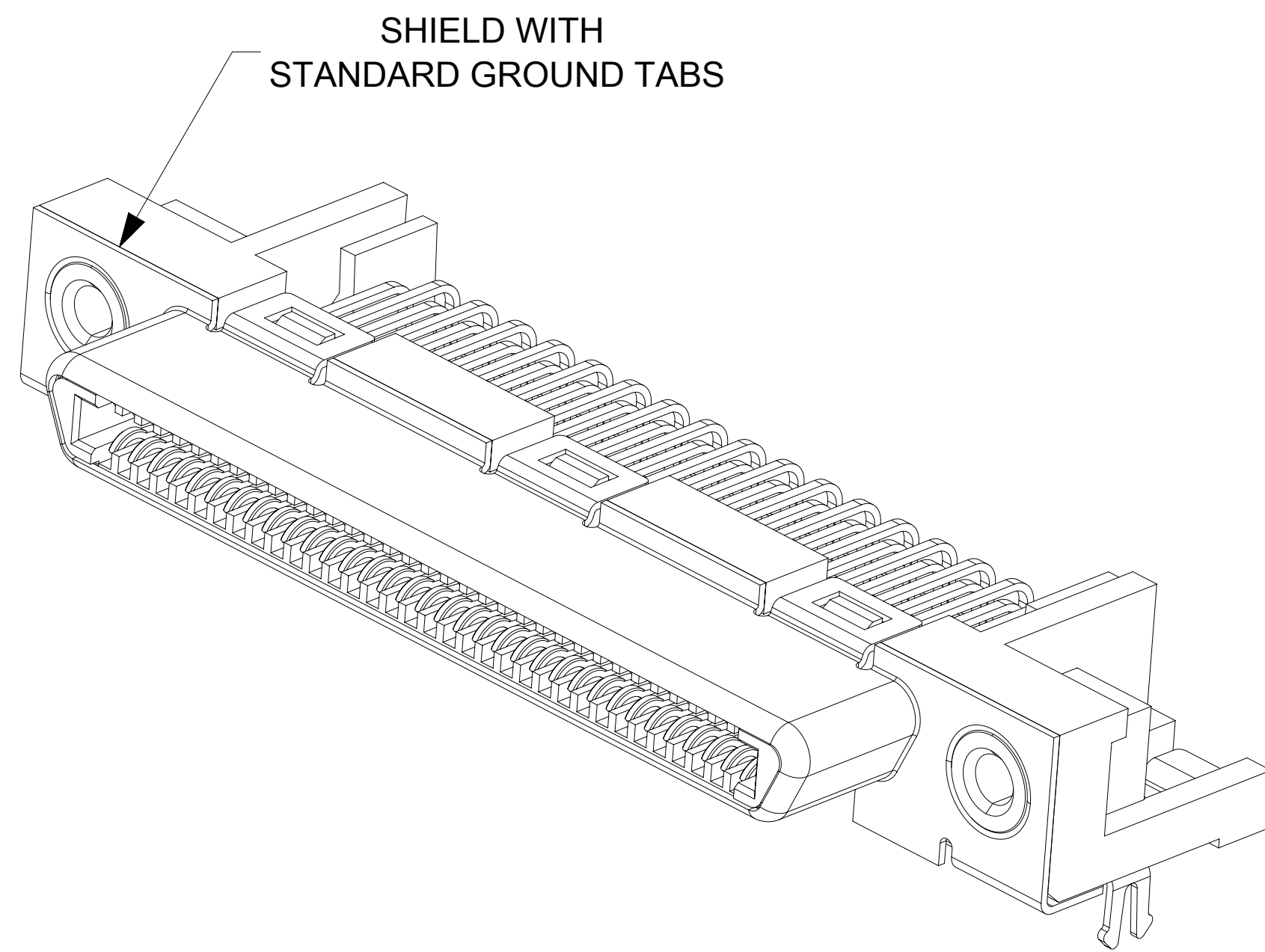
**molex**

VHDCI RIGHT ANGLE  
ASSEMBLY

PRODUCT CUSTOMER DRAWING

DOCUMENT NUMBER	DOC TYPE	DOC PART	REVISION
SD-71430-3000	PSD	001	D

PCB THICKNESS	PART NUMBER	TAIL LENGTH "T" +0.50/0.25	ENHANCED GROUND TABS	TAIL LOCATION "A"	PCB HOLE LOCATION "B"
1.60		2.08	NO	5.50	6.50 MAXIMUM
1.60		2.08	NO		
1.60		2.08	YES		
1.60		2.08	YES		
2.36		2.71	NO		
2.36		2.71	NO		
2.36		2.71	YES		
2.36		2.71	YES		
2.36		2.71	NO		
2.36	71430-3019	2.71	YES		
2.79	71430-3020	3.62	YES	5.30	6.30 MAXIMUM
2.36		2.71	YES		
1.60		2.08	YES		



APPROVED BY: .....

TITLE: .....

COMPANY: .....

DATE: .....

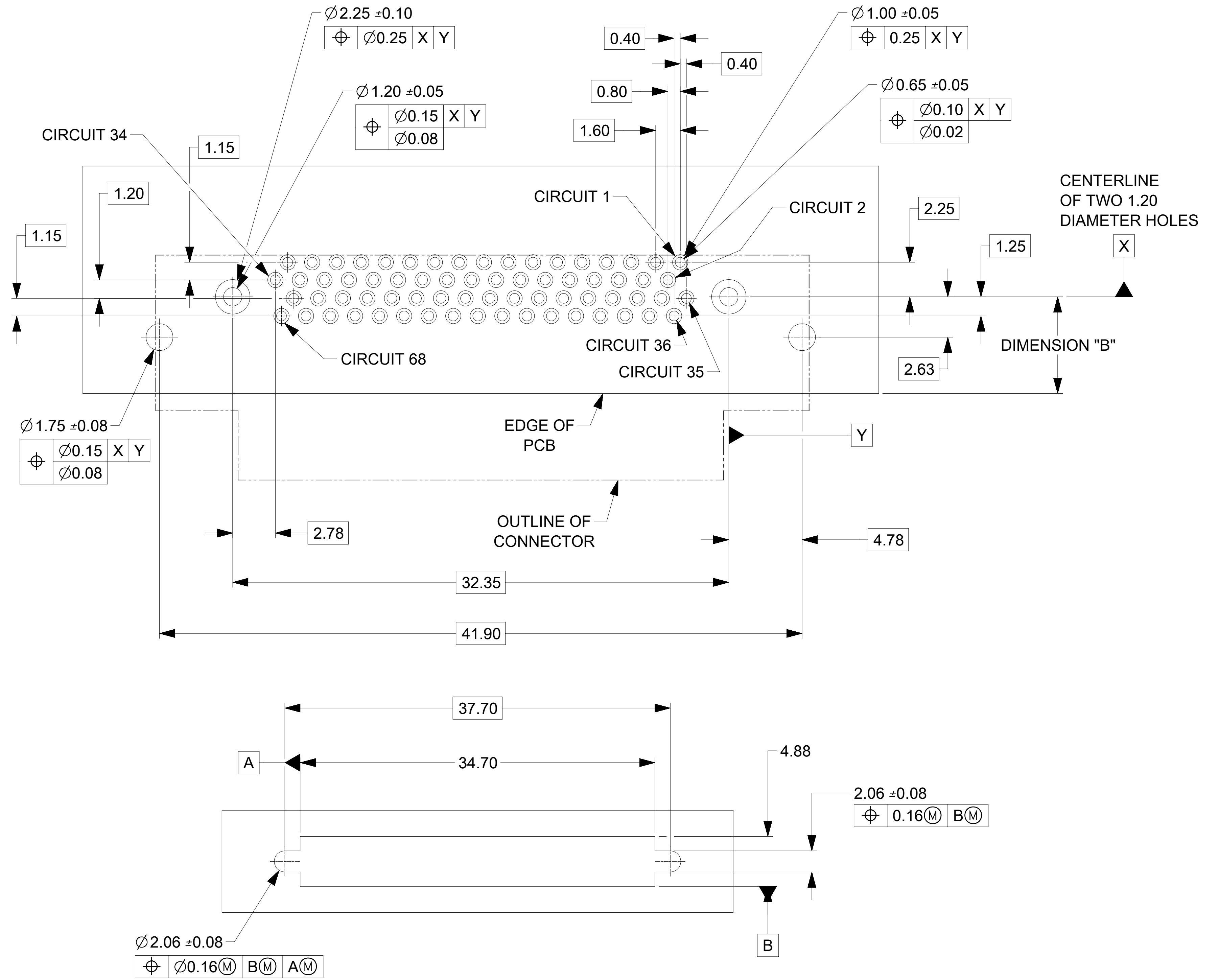
SYMBOLS	THIS DRAWING CONTAINS INFORMATION THAT IS PROPRIETARY TO MOLEX ELECTRONIC TECHNOLOGIES, LLC AND SHOULD NOT BE USED WITHOUT WRITTEN PERMISSION		
	DIMENSION UNITS	SCALE	CURRENT REV DESC:
▽ = 0	mm	6:1	<b>molex</b> VHDCI RIGHT ANGLE ASSEMBLY PRODUCT CUSTOMER DRAWING
▽ = 0	GENERAL TOLERANCES (UNLESS SPECIFIED)		
▽ = 0	ANGULAR TOL ± 0.5°		
▽ = 0	4 PLACES	±	
▽ = 0	3 PLACES	±	
▽ = 0	2 PLACES	± 0.13	EC NO: 624744 DRWN: JWALLACE01 2019/09/25 CHK'D: RNELSON 2019/09/26 APPR: RNELSON 2019/09/26
▽ = 0	1 PLACE	± 0.25	INITIAL REVISION: DRWN: BBARKER 2011/02/17 APPR: SMILLER 2011/02/25
▽ = 0	0 PLACES	±	DOCUMENT NUMBER: <b>SD-71430-3000</b> DOC TYPE: PSD DOC PART: 001 REVISION: D
■ = 0	DRAFT WHERE APPLICABLE MUST REMAIN WITHIN DIMENSIONS	THIRD ANGLE PROJECTION	DRAWING: <b>D-SIZE</b> SERIES: <b>71430</b> MATERIAL NUMBER: _____ CUSTOMER: GENERAL MARKET SHEET NUMBER: 2 OF 3



NOTES:

1. FOR FULL MATE WITH PLUG, PANEL THICKNESS SHOULD NOT EXCEED 1.0mm.

FUNCTIONAL MATING WITH MOLEX PLUG CAN STILL BE MAINTAINED WITH PANELS AS THICK AS 2.5mm (BUT PLUG AND RECEPTACLE WILL NOT BE FULLY MATED).



SYMBOLS		THIS DRAWING CONTAINS INFORMATION THAT IS PROPRIETARY TO MOLEX ELECTRONIC TECHNOLOGIES, LLC AND SHOULD NOT BE USED WITHOUT WRITTEN PERMISSION	
DIMENSION UNITS	SCALE	CURRENT REV DESC:	
$\nabla = 0$	mm	4:1	
$\nabla = 0$	GENERAL TOLERANCES (UNLESS SPECIFIED)		
$\nabla = 0$	ANGULAR TOL	$\pm 0.5^\circ$	
$\nabla = 0$	4 PLACES	$\pm$	
$\nabla = 0$	3 PLACES	$\pm$	
$\nabla = 0$	2 PLACES	$\pm 0.13$	
$\nabla = 0$	1 PLACE	$\pm 0.25$	
$\nabla = 0$	0 PLACES	$\pm$	
$\nabla = 0$	DRAFT WHERE APPLICABLE MUST REMAIN WITHIN DIMENSIONS		
$\nabla = 0$	THIRD ANGLE PROJECTION	DRAWING	SERIES
$\nabla = 0$		D-SIZE	71430
		EC NO: 624744	
		DRWN: JWALLACE01	2019/09/25
		CHK'D: RNELSON	2019/09/26
		APPR: RNELSON	2019/09/26
		INITIAL REVISION:	
		DRWN: BBARKER	2011/02/17
		APPR: SMILLER	2011/02/25
		MATERIAL NUMBER	CUSTOMER
		SD-71430-3000	GENERAL MARKET
		DOC TYPE	DOC PART
		PSD	001
		REVISION	D
		SHEET NUMBER	
		3 OF 3	