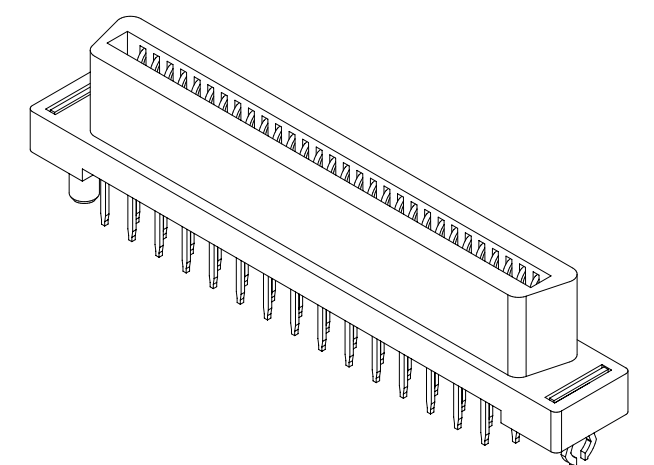
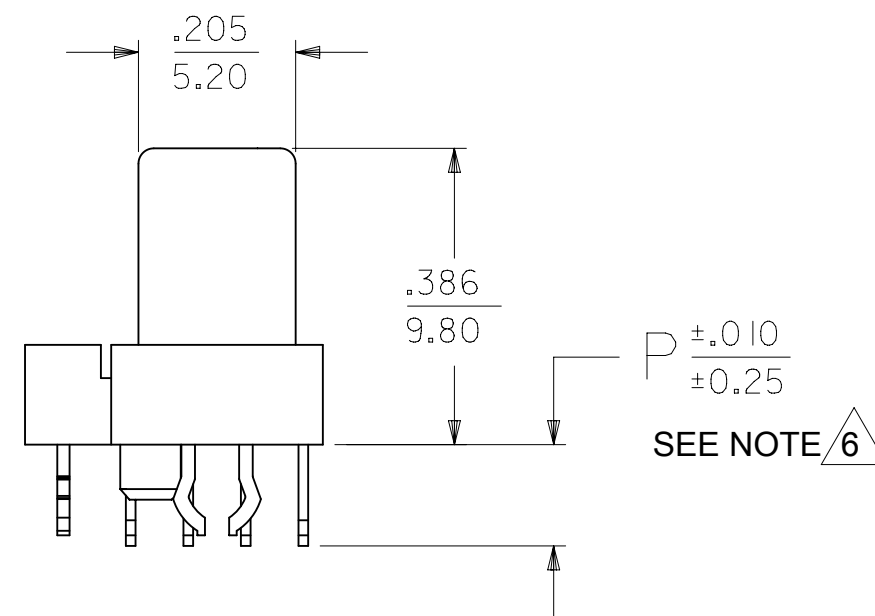
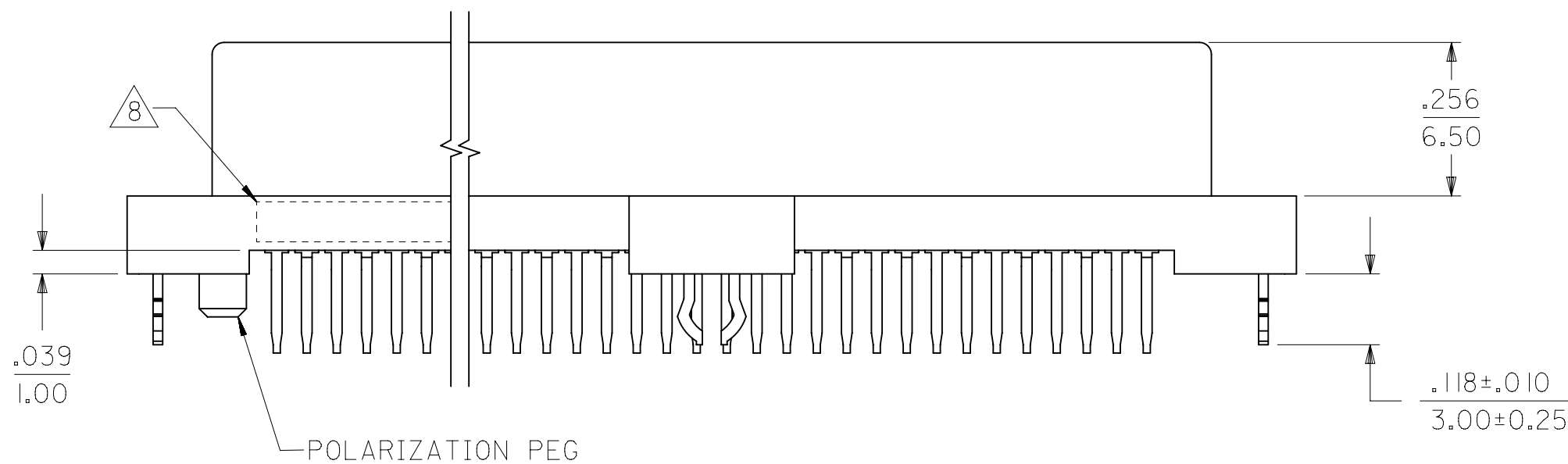
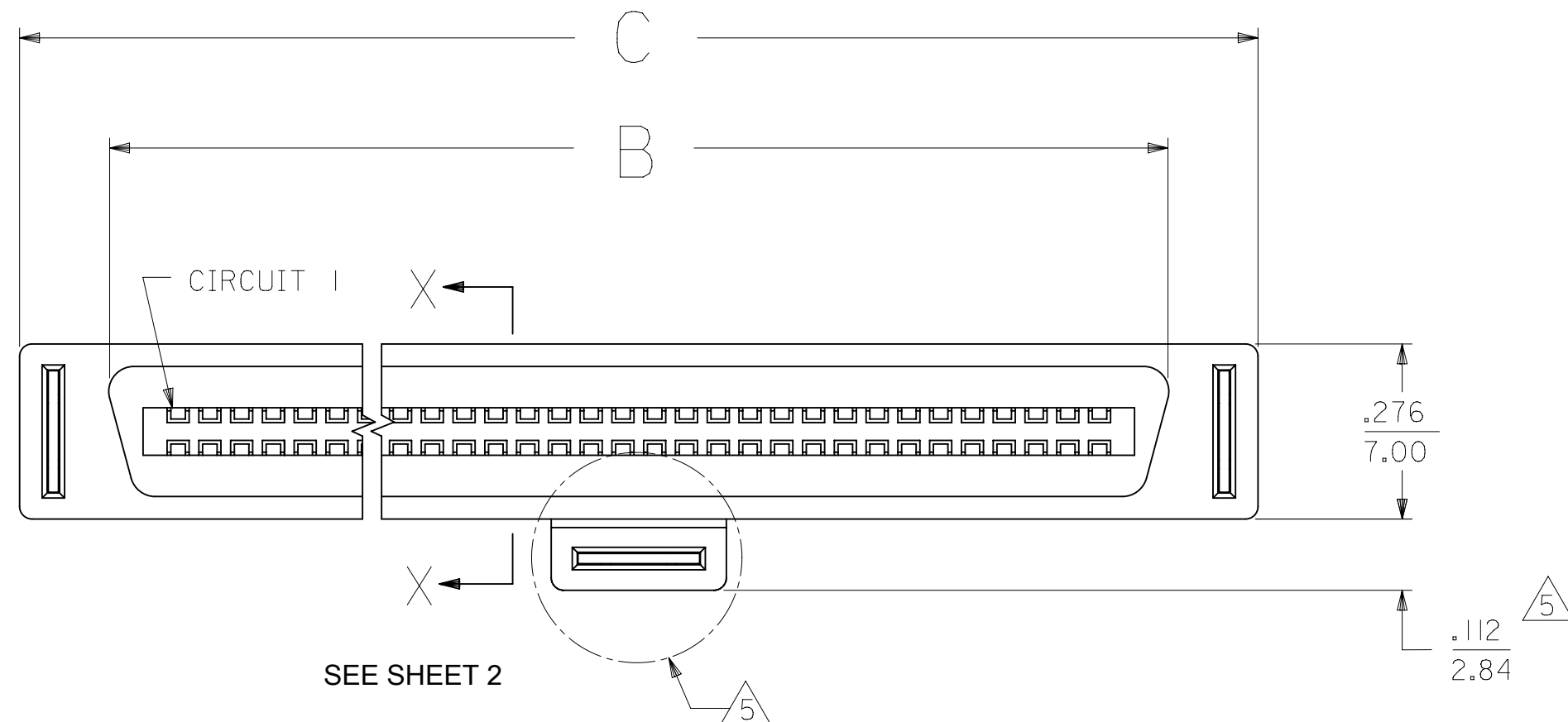


NOTES:

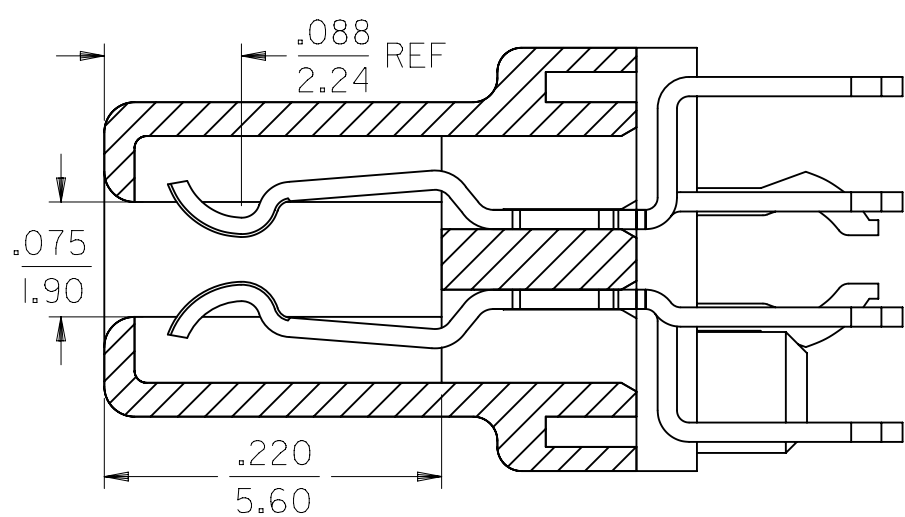
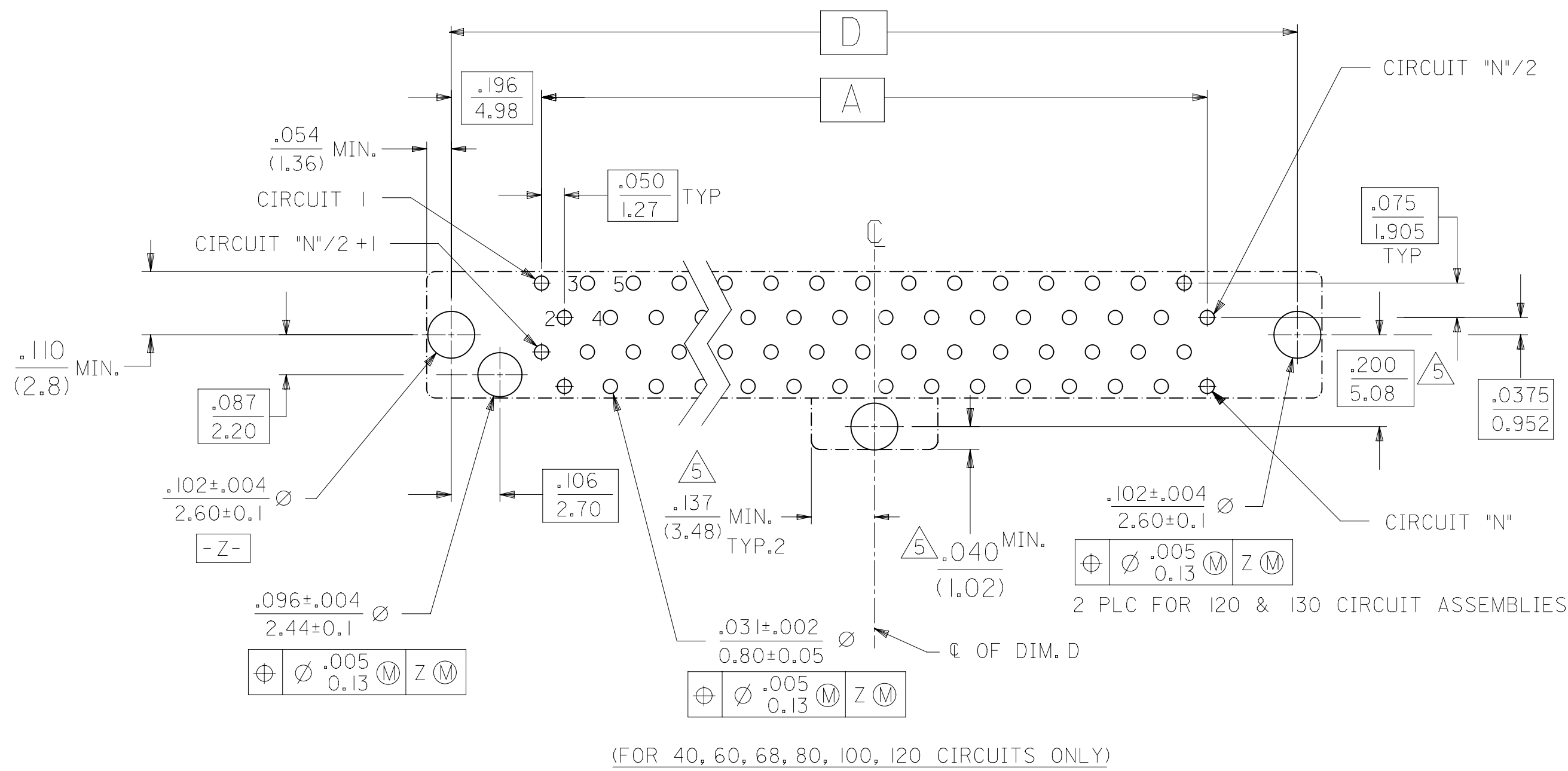
- 1) MATERIALS:
HOUSING- LCP, GLASS FILLED, 94V-0, BLACK.
TERMINALS- COPPER ALLOY
METAL PEGS- COPPER ALLOY
- 2) FINISH:
TERMINALS:
.000030/(0.00076) MINIMUM GOLD IN CONTACT AREA OVER
.000050/(0.00127) MINIMUM TIN IN TAIL AREA OVER
.000075/(0.00191) MINIMUM NICKEL UNDERPLATE OVERALL.
- 3) ASSEMBLY MATES WITH MOLEX P/N SDA-71661-****.
- 4) CONFORMS TO PRODUCT SPECIFICATION PS-71660.
- 5 CENTER PEG IS ONLY ON I20 AND I30 CIRCUIT ASSEMBLIES.
- 6 TAIL LENGTH ON FIRST MATE CONTACTS IS APPROXIMATELY .010 INCH/0.25 MM SHORTER THAN THE TAIL LENGTH SPECIFIED.
- 7 CONNECTOR WILL ACCEPT MATING TO A P.C. BOARD WITH A THICKNESS OF .062±.003.
- 8 FOUR DIGIT DATE CODE (WK YR), EXAMPLE => 26 96 LOCATED IN AREA INDICATED.
- 9 SEE CHART FOR PACKAGING INFORMATION.



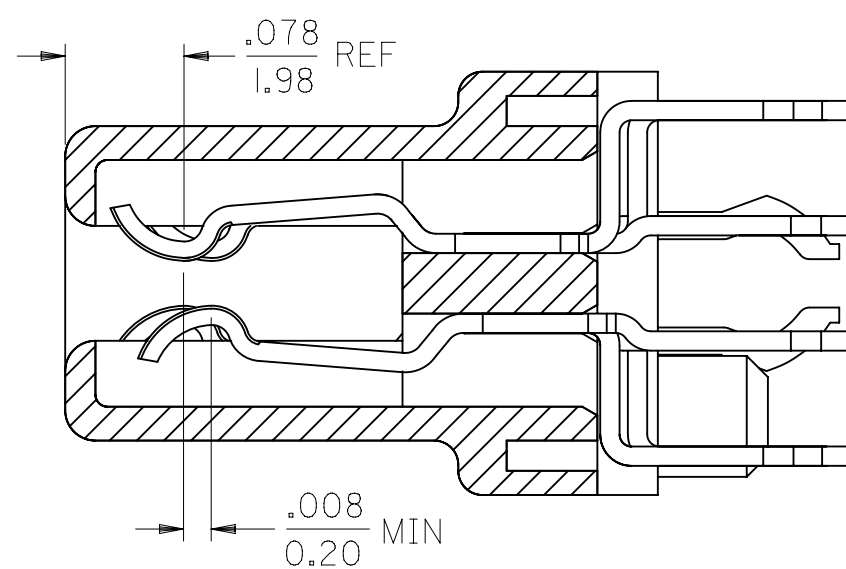
60 CIRCUIT ASSEMBLY SHOWN
SCALE 2:1

THIS DRAWING CONTAINS INFORMATION THAT IS PROPRIETARY TO MOLEX ELECTRONIC TECHNOLOGIES, LLC AND SHOULD NOT BE USED WITHOUT WRITTEN PERMISSION

DIMENSION UNITS IN/MM		SCALE 4:1		CURRENT REV DESC: OBSOLETE PART NO									
GENERAL TOLERANCES (UNLESS SPECIFIED)				EC NO: 625872								SALES ASSEMBLY MOLEX EBBI 50D VERTICAL RECEPTACLE CONNECTOR	
		MM	INCH	DRWN: AKUMAR19		2019/06/06		PRODUCT CUSTOMER DRAWING					
4 PLACES ±		±	±	CHK'D: GB		2019/11/06						DOCUMENT NUMBER SDA-71660-1XXX	
3 PLACES ±		±	± 0.005	APPR: GGA		2019/11/12		DOC TYPE PSD		DOC PART 001			
2 PLACES ±		± 0.13	± 0.01	INITIAL REVISION:				MATERIAL NUMBER SEE TABLE					
1 PLACE ±		± 0.25	±	DRWN: RAN		1992/06/15						CUSTOMER GENERAL MARKET	
0 PLACES ±		±	±	APPR: CAB		1992/06/15							
ANGULAR TOL ±		± 0.5 °		THIRD ANGLE PROJECTION		DRAWING C-SIZE		SERIES 71660					
DRAFT WHERE APPLICABLE MUST REMAIN WITHIN DIMENSIONS				THIRD ANGLE PROJECTION		DRAWING C-SIZE		SERIES 71660					



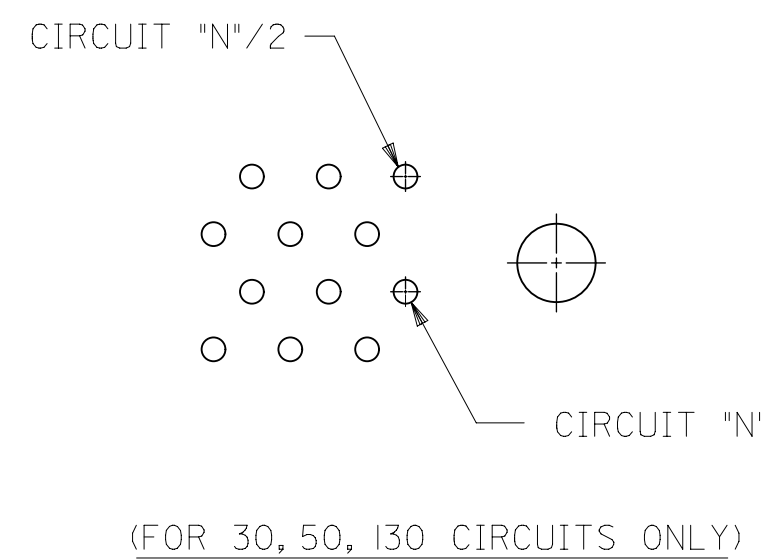
STANDARD PRODUCT



FMLB OPTION

SECTION X-X
SCALE - 8:1

RECOMMENDED PC BOARD LAYOUT
COMPONENT SIDE



THIS DRAWING CONTAINS INFORMATION THAT IS PROPRIETARY TO MOLEX ELECTRONIC TECHNOLOGIES, LLC AND SHOULD NOT BE USED WITHOUT WRITTEN PERMISSION													
DIMENSION UNITS		SCALE		CURRENT REV DESC: OBSOLETE PART NO									
IN/MM		4:1		molex SALES ASSEMBLY MOLEX EBBI 50D VERTICAL RECEPTACLE CONNECTOR PRODUCT CUSTOMER DRAWING									
GENERAL TOLERANCES (UNLESS SPECIFIED)										EC NO: 625872		2019/06/06	
4 PLACES		±								DRWN: AKUMAR19		2019/11/06	
3 PLACES		± 0.005								CHK'D: GB		2019/11/12	
2 PLACES		± 0.13 ± 0.01								APPR: GGA		2019/11/12	
1 PLACE		± 0.25 ±		INITIAL REVISION:									
0 PLACES		±		DRWN: RAN		1992/06/15		DOCUMENT NUMBER					
ANGULAR TOL		± 0.5 °		APPR: CAB		1992/06/15		SDA-71660-1XXX					
DRAFT WHERE APPLICABLE MUST REMAIN WITHIN DIMENSIONS				THIRD ANGLE PROJECTION		DRAWING		SERIES					
				C-SIZE		71660		MATERIAL NUMBER					
								CUSTOMER					
								GENERAL MARKET					
								SHEET NUMBER					
								2 OF 3					

ENGINEERING NUMBER	EDP NUMBER	PACKAGING SPEC	CKT ("N")	A	B	C	D	P	ADVANCED TERMINALS / CKTS SEE SECTION X-X "FMLB OPT"
SDA-71660-1030	015-92-1030	PK-71660	30	.700 (17.78)	.918 (23.32)	1.199 (30.45)	1.092 (27.75)	↑ ↓ .134 (3.40)	↑ ↓ N/A
SDA-71660-1050	015-92-1050	PK-71660	50	1.200 (30.48)	1.418 (36.02)	1.699 (43.15)	1.592 (40.45)		
SDA-71660-1080	015-92-1080	PK-71660	80	1.950 (49.53)	2.668 (67.77)	2.949 (74.90)	2.842 (72.20)		
SDA-71660-1100	015-92-1100	PK-71660	100	2.450 (62.23)	2.668 (67.77)	2.949 (74.90)	2.842 (72.20)		
SDA-71660-1120	015-92-1120	PK-71660	120	2.950 (74.93)	3.168 (80.47)	3.449 (87.60)	3.342 (84.90)		
SDA-71660-1130	015-92-1130	PK-71660	130	3.200 (81.28)	3.418 (86.82)	3.699 (93.95)	3.592 (91.25)		
SDA-71660-1330	015-92-1430	PK-71660	30	.700 (17.78)	.918 (23.32)	1.199 (30.45)	1.092 (27.75)	↑ ↓ .110 (2.79)	↑ ↓ N/A
SDA-71660-1340	015-92-1440	PK-71660	40	.950 (24.13)	1.168 (29.67)	1.449 (36.80)	1.342 (34.10)		
SDA-71660-1350	015-92-1450	PK-71660	50	1.200 (30.48)	1.418 (36.02)	1.699 (43.15)	1.592 (40.45)		
SDA-71660-1360	015-92-1460	PK-71660	60	1.450 (36.83)	1.668 (42.37)	1.949 (49.50)	1.842 (46.80)		
SDA-71660-1380	015-92-1480	PK-71660	80	1.950 (49.53)	2.168 (55.07)	2.449 (62.20)	2.342 (59.50)		
SDA-71660-1400	015-92-1500	PK-71660	100	2.450 (62.23)	2.668 (67.77)	2.949 (74.90)	2.842 (72.20)		
SDA-71660-1420	015-92-1520	PK-71660	120	2.950 (74.93)	3.168 (80.47)	3.449 (87.60)	3.342 (84.90)		
SDA-71660-1630	716601630	PK-71660	30	.700 (17.78)	.918 (23.32)	1.199 (30.45)	1.092 (27.75)	↑ ↓ .155 (3.94)	↑ ↓ N/A
SDA-71660-1640	716601640	PK-71660	40	.950 (24.13)	1.168 (29.67)	1.449 (36.80)	1.342 (34.10)		
SDA-71660-1650	716601650	PK-71660	50	1.200 (30.48)	1.418 (36.02)	1.699 (43.15)	1.592 (40.45)		
SDA-71660-1660	716601660	PK-71660	60	1.450 (36.83)	1.668 (42.37)	1.949 (49.50)	1.842 (46.80)		
SDA-71660-1668	716601668	PK-71660	68	1.650 (41.91)	1.868 (47.45)	2.149 (54.58)	2.042 (51.88)		
SDA-71660-1680	716601680	PK-71660	80	1.950 (49.53)	2.168 (55.07)	2.449 (62.20)	2.342 (59.50)		
SDA-71660-1700	716601700	PK-71660	100	2.450 (62.23)	2.668 (67.77)	2.949 (74.90)	2.842 (72.20)		
SDA-71660-1720	716601720	PK-71660	120	2.950 (74.93)	3.168 (80.47)	3.449 (87.60)	3.342 (84.90)		
SDA-71660-1730	716601730	PK-71660	130	3.200 (81.28)	3.418 (86.82)	3.699 (93.95)	3.592 (91.25)		

THIS DRAWING CONTAINS INFORMATION THAT IS PROPRIETARY TO MOLEX ELECTRONIC TECHNOLOGIES, LLC AND SHOULD NOT BE USED WITHOUT WRITTEN PERMISSION

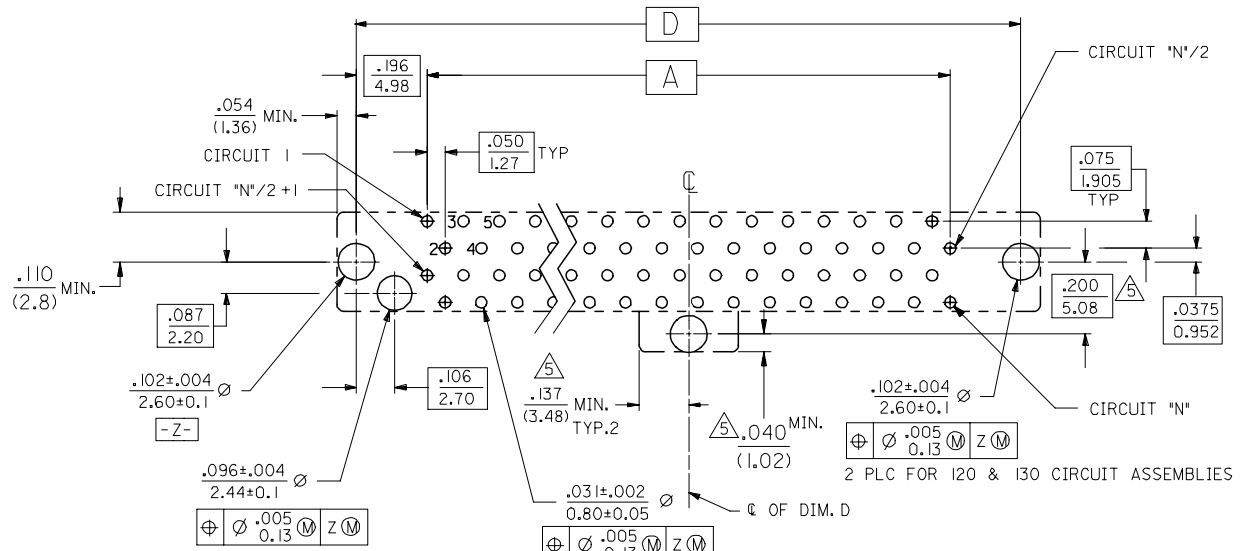
DIMENSION UNITS IN/MM	SCALE 4:1	CURRENT REV DESC: OBSOLETE PART NO	
GENERAL TOLERANCES (UNLESS SPECIFIED)		EC NO: 625872	
4 PLACES ±	±	DRWN: AKUMAR19	2019/06/06
3 PLACES ±	± 0.005	CHK'D: GB	2019/11/06
2 PLACES ±	± 0.13 ± 0.01	APPR: GGA	2019/11/12
1 PLACE ±	± 0.25 ±	INITIAL REVISION:	
0 PLACES ±	±	DRWN: RAN	1992/06/15
ANGULAR TOL ± 0.5 °		APPR: CAB	1992/06/15
DRAFT WHERE APPLICABLE MUST REMAIN WITHIN DIMENSIONS	THIRD ANGLE PROJECTION	DRAWING	SERIES
		C-SIZE	71660

molex			
SALES ASSEMBLY MOLEX EBBI 50D VERTICAL RECEPTACLE CONNECTOR			
PRODUCT CUSTOMER DRAWING			
DOCUMENT NUMBER	DOC TYPE	DOC PART	REVISION
SDA-71660-1XXX	PSD	001	P
MATERIAL NUMBER	CUSTOMER	SHEET NUMBER	
SEE TABLE	GENERAL MARKET	3 OF 3	

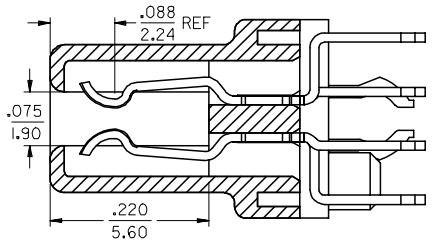
13 12 11 10 9 8 7 6 5 4 3 2 1

J
I
H
G
F
E
D
C
B
A

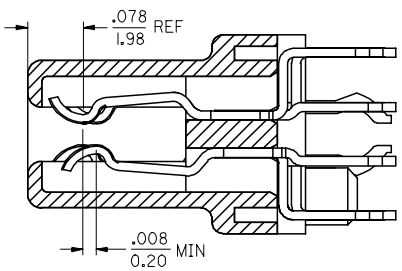
J
I
H
G
F
E
D
C
B
A



(FOR 40, 60, 68, 80, 100, 120 CIRCUITS ONLY)



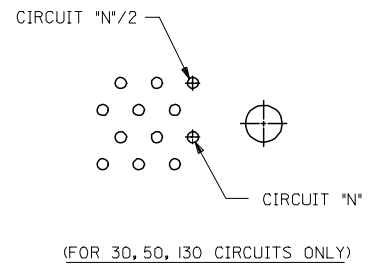
STANDARD PRODUCT



FMLB OPTION

SECTION X-X
SCALE - 8:1

RECOMMENDED PC BOARD LAYOUT
COMPONENT SIDE



UPDATE BORDER FC NO: UCP2007-0935 DRW:NBARKER 2006/11/06 CHKD:MBARRA 2006/11/06 APPR:SMILLER 2006/11/07	QUALITY SYMBOLS ▽=0 ▽=0	GENERAL TOLERANCES (UNLESS SPECIFIED)		DIMENSION STYLE IN/MM		SCALE 4:1	DESIGN UNITS INCH	THIRD ANGLE PROJECTION			
		4 PLACES ± --- ± ---	3 PLACES ± --- ± .005	DRAWN BY RAN	DATE 6/15/92	TITLE SALES ASSEMBLY MOLEX EBBI 50D VERTICAL RECEPTACLE					
		2 PLACES ± 0.13 ± .010	1 PLACE ± 0.25 ± ---	CHECKED BY RAN	DATE 6/15/92	MOLEX INCORPORATED					
		ANGULAR ±1/2°		APPROVED BY CAB	DATE 6/15/92	MATERIAL NO. SEE CHART		DOCUMENT NO. SDA-71660-1***	SHEET NO. 2 OF 3		
DRAFT WHERE APPLICABLE MUST REMAIN WITHIN DIMENSIONS				SIZE C		THIS DRAWING CONTAINS INFORMATION THAT IS PROPRIETARY TO MOLEX INCORPORATED AND SHOULD NOT BE USED WITHOUT WRITTEN PERMISSION					

12 11 10 9 8 7 6 5 4 3 2 1

J

I

H

G

F

E

D

C

B

A

ENGINEERING NUMBER	EDP NUMBER	PACKAGING SPEC	CKT (*N*)	A	B	C	D	P	ADVANCED TERMINALS / CKTS SEE SECTION X-X *FMLB OPT*
SDA-71660-1030	015-92-1030	PK-71660	30	.700 (17.78)	.918 (23.32)	1.199 (30.45)	1.092 (27.75)	.134 (3.40)	N/A
SDA-71660-1040	015-92-1040	PK-71660	40	.950 (24.13)	1.168 (29.67)	1.449 (36.80)	1.342 (34.10)		
SDA-71660-1050	015-92-1050	PK-71660	50	1.200 (30.48)	1.418 (36.02)	1.699 (43.15)	1.592 (40.45)		
SDA-71660-1060	015-92-1060	PK-71660	60	1.450 (36.83)	1.668 (42.37)	1.949 (49.50)	1.842 (46.80)		
SDA-71660-1068	015-92-1068	PK-71660	68	1.650 (41.91)	1.868 (47.45)	2.149 (54.58)	2.042 (51.88)		
SDA-71660-1080	015-92-1080	PK-71660	80	1.950 (49.53)	2.168 (55.07)	2.449 (62.20)	2.342 (59.50)		
SDA-71660-1100	015-92-1100	PK-71660	100	2.450 (62.23)	2.668 (67.77)	2.949 (74.90)	2.842 (72.20)		
SDA-71660-1120	015-92-1120	PK-71660	120	2.950 (74.93)	3.168 (80.47)	3.449 (87.60)	3.342 (84.90)		
SDA-71660-1130	015-92-1130	PK-71660	130	3.200 (81.28)	3.418 (86.82)	3.699 (93.95)	3.592 (91.25)		
SDA-71660-1330	015-92-1430	PK-71660	30	.700 (17.78)	.918 (23.32)	1.199 (30.45)	1.092 (27.75)	.110 (2.79)	N/A
SDA-71660-1340	015-92-1440	PK-71660	40	.950 (24.13)	1.168 (29.67)	1.449 (36.80)	1.342 (34.10)		
SDA-71660-1350	015-92-1450	PK-71660	50	1.200 (30.48)	1.418 (36.02)	1.699 (43.15)	1.592 (40.45)		
SDA-71660-1360	015-92-1460	PK-71660	60	1.450 (36.83)	1.668 (42.37)	1.949 (49.50)	1.842 (46.80)		
SDA-71660-1368	015-92-1468	PK-71660	68	1.650 (41.91)	1.868 (47.45)	2.149 (54.58)	2.042 (51.88)		
SDA-71660-1380	015-92-1480	PK-71660	80	1.950 (49.53)	2.168 (55.07)	2.449 (62.20)	2.342 (59.50)		
SDA-71660-1400	015-92-1500	PK-71660	100	2.450 (62.23)	2.668 (67.77)	2.949 (74.90)	2.842 (72.20)		
SDA-71660-1401	015-92-1501	PK-70873-0816	100	2.450 (62.23)	2.668 (67.77)	2.949 (74.90)	2.842 (72.20)		
SDA-71660-1420	015-92-1520	PK-71660	120	2.950 (74.93)	3.168 (80.47)	3.449 (87.60)	3.342 (84.90)		
SDA-71660-1430	015-92-1530	PK-71660	130	3.200 (81.28)	3.418 (86.82)	3.699 (93.95)	3.592 (91.25)		
SDA-71660-1550	015-92-1550	PK-71660	50	1.200 (30.48)	1.418 (36.02)	1.699 (43.15)	1.592 (40.45)	.134 (3.40)	2-4, 8-11, 14, 17, 20, 23, 26-29, 31, 32, 34, 36, 39, 42, 45, 48, 49
SDA-71660-1630	716601630	PK-71660	30	.700 (17.78)	.918 (23.32)	1.199 (30.45)	1.092 (27.75)	.155 (3.94)	N/A
SDA-71660-1640	716601640	PK-71660	40	.950 (24.13)	1.168 (29.67)	1.449 (36.80)	1.342 (34.10)		
SDA-71660-1650	716601650	PK-71660	50	1.200 (30.48)	1.418 (36.02)	1.699 (43.15)	1.592 (40.45)		
SDA-71660-1660	716601660	PK-71660	60	1.450 (36.83)	1.668 (42.37)	1.949 (49.50)	1.842 (46.80)		
SDA-71660-1668	716601668	PK-71660	68	1.650 (41.91)	1.868 (47.45)	2.149 (54.58)	2.042 (51.88)		
SDA-71660-1680	716601680	PK-71660	80	1.950 (49.53)	2.168 (55.07)	2.449 (62.20)	2.342 (59.50)		
SDA-71660-1700	716601700	PK-71660	100	2.450 (62.23)	2.668 (67.77)	2.949 (74.90)	2.842 (72.20)		
SDA-71660-1720	716601720	PK-71660	120	2.950 (74.93)	3.168 (80.47)	3.449 (87.60)	3.342 (84.90)		
SDA-71660-1730	716601730	PK-71660	130	3.200 (81.28)	3.418 (86.82)	3.699 (93.95)	3.592 (91.25)		

UPDATE BORDER EC NO: UCP2007-0935 O DRAWN: BARKER 2006/11/06 CHKD: 2006/11/06 APPR: SMILLER 2006/11/07 REVISIONS DESCRIPTION	QUALITY SYMBOLS	GENERAL TOLERANCES (UNLESS SPECIFIED)	DIMENSION STYLE	SCALE	DESIGN UNITS	THIRD ANGLE PROJECTION	
	▽=0 ▽=0	mm INCH 4 PLACES ± --- ± --- 3 PLACES ± --- ± .005 2 PLACES ± 0.13 ± .010 1 PLACE ± 0.25 ± --- ANGULAR ±1/2°	IN/MM	4:1	INCH	DRAWN BY DATE RAN 6/15/92 CHECKED BY DATE RAN 6/15/92 APPROVED BY DATE CAB 6/15/92	
	DRAFT WHERE APPLICABLE MUST REMAIN WITHIN DIMENSIONS		SEE CHART	SALES ASSEMBLY MOLEX EBBI 50D VERTICAL RECEPTACLE		MOLEX INCORPORATED MATERIAL NO. SDA-71660-1**** DOCUMENT NO. SHEET NO. 3 OF 3	
	THIS DRAWING CONTAINS INFORMATION THAT IS PROPRIETARY TO MOLEX INCORPORATED AND SHOULD NOT BE USED WITHOUT WRITTEN PERMISSION						