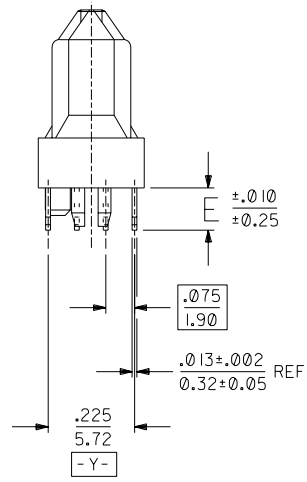
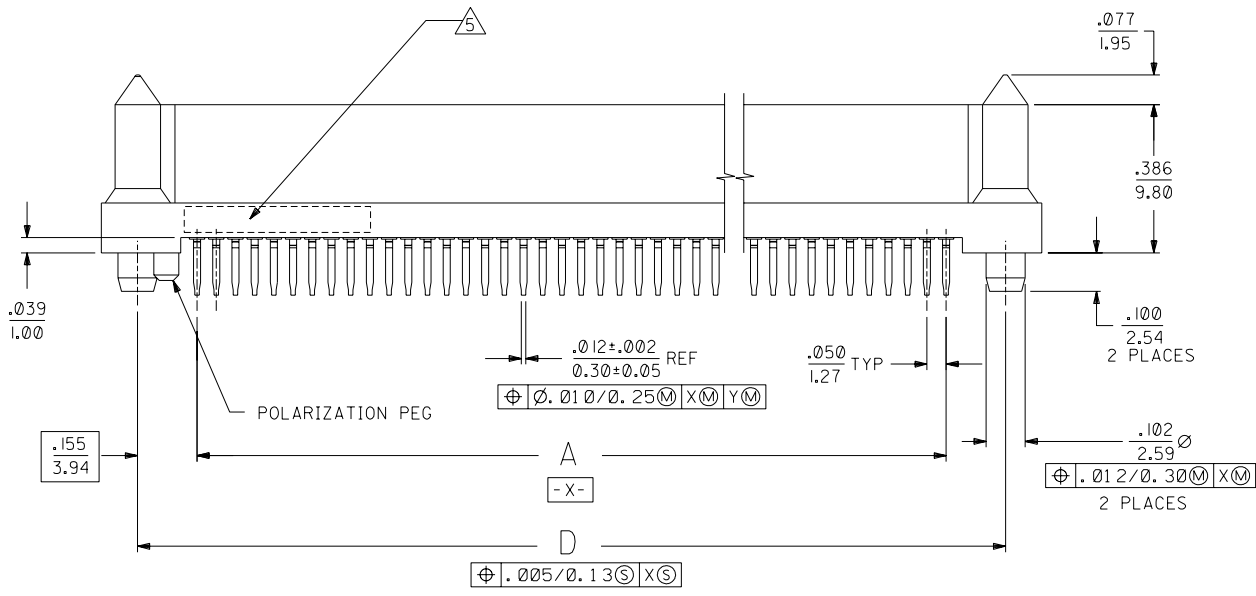
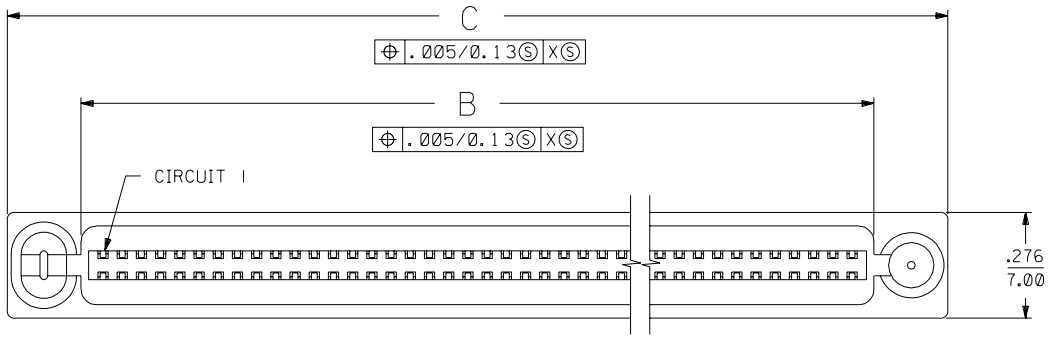


NOTES:

- 1) MATERIALS:
HOUSING- LCP, GLASS FILLED, 94V-0, BLACK.
TERMINALS- COPPER ALLOY
- 2) FINISH:
TERMINALS:
.000030/(0.00076) MINIMUM GOLD IN CONTACT AREA AND
.000050/(0.00127) MINIMUM TIN IN TAIL AREA OVER
.000075/(0.00191) MINIMUM NICKEL UNDERPLATE OVERALL.
- 3) ASSEMBLY MATES WITH MOLEX P/N SDA-71661-7***.
CONFORMS TO PRODUCT SPECIFICATION PS-71660.
- 4) RECOMMENDED P.C. BOARD THICKNESS IS .062/1.6 mm.
- 5) FOUR DIGIT DATE CODE TO BE LOCATED ON SURFACE AS SHOWN.



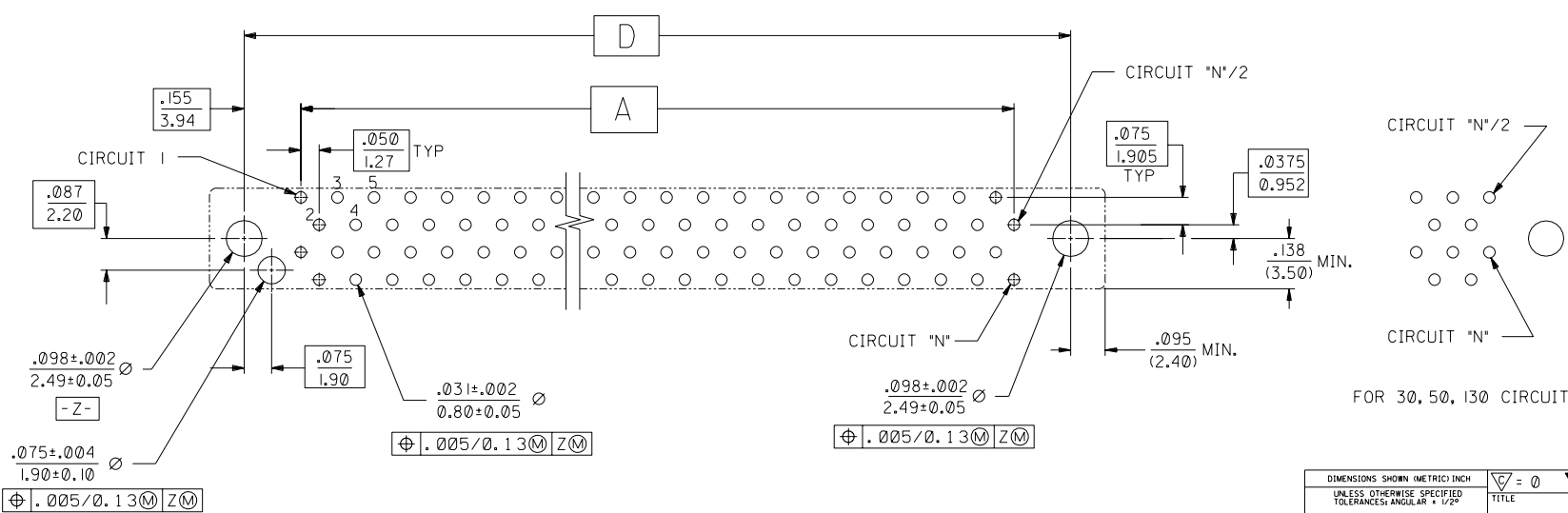
NOTE FOR LEAD FREE CONVERSION:

THE PRIMARY SHIPPING CARTON WILL BE LABELED "COMPLIANT TO RoHS DIRECTIVE 2002/95/EC AND ELV ANNEX II OF DIRECTIVE 2000/53/EC". CARTONS WITHOUT THIS LABEL MAY CONTAIN PRODUCT WITH LEAD.

N	ADD LONG TAIL UCP2004-1302 RWWHITE 04/07/14
M	LEAD FREE CONV ECN UCP2004-2096 RKADAMS 04/04/29
L	REVISED PER UDT 2000-1231 ACHAMMER 00/06/07
K	REVISED PER ECN U71314 ACHAMMER 97/4/25
J	REVISED PER ECN U70133 ACHAMMER 96/8/19
I	REVISED PER ECN U70090 ACHAMMER 96/7/26
H	REVISED PER ECN U61278 5-2-96 DCA
G	REVISED PER ECN U60641 11-29-95 DRS
F	REVISED PER ECN U60564 11-8-95 RAN
E	REVISED PER ECN U50229 9-23-94 RAN
D	REVISED PER ECN U50090 8-30-94 RAN
C	REVISED PER ECN U40506 4-15-94 RAN
B	REVISED PER ECN U40305 3-4-94 RAN
A	INITIAL RELEASE PER ECN U31832 12-15-93 RAN
I	PRELIMINARY 11-17-93 RAN

DIMENSIONS SHOWN (METRIC) INCH		▽ = 0		▼ = 0		REVISE ONLY ON CAD SYSTEM	
UNLESS OTHERWISE SPECIFIED TOLERANCES: ANGULAR ± 1/2°							
INCH		METRIC		TITLE			
3 PLACE	± .005	---	---	SALES ASSEMBLY			
2 PLACE	± ---	± 0.13	---	EBBI 50D VERTICAL RCPT			
1 PLACE	---	± ---	---	BLIND MATE CONNECTOR			
DRAFT WHERE APPLICABLE MUST REMAIN WITHIN DIMENSIONS				MOLEX INCORPORATED		SHEET NO. DATE	
				60532		1 OF 2 11/17/93	
PART NO.				DRWG. NO.		SEE TABLE	
SDA-71660-7***				SDA-71660-7***		U.S.A.	
DRWG. BY: RAN		CHK'D. BY: RAN		FILE NAME: 571660X7		THIS DRAWING CONTAINS INFORMATION THAT IS PROPRIETARY TO MOLEX INC. AND SHOULD NOT BE USED WITHOUT WRITTEN PERMISSION.	
APP'D. BY: CAB		SCALE: 4: 1		DIV.:		SIZE: C	

ITEM NUMBER	CKT ('N')	A	B	C	D	E
71660-7030	30	.700 (17.78)	.815 (20.70)	1.199 (30.45)	1.010 (25.65)	.110 (2.79)
71660-7040	40	.950 (24.13)	1.065 (27.05)	1.449 (36.80)	1.260 (32.00)	
71660-7050	50	1.200 (30.48)	1.315 (33.40)	1.699 (43.15)	1.510 (38.35)	
71660-7060	60	1.450 (36.83)	1.565 (39.75)	1.949 (49.50)	1.760 (44.70)	
71660-7068	68	1.650 (41.91)	1.765 (44.83)	2.149 (54.58)	1.960 (49.78)	
71660-7080	80	1.950 (49.53)	2.065 (52.45)	2.449 (62.20)	2.260 (57.40)	
71660-7100	100	2.450 (62.23)	2.565 (65.15)	2.949 (74.90)	2.760 (70.10)	
71660-7120	120	2.950 (74.93)	3.065 (77.85)	3.449 (87.60)	3.260 (82.80)	
71660-7130	130	3.200 (81.28)	3.315 (84.20)	3.699 (93.95)	3.510 (89.15)	
71660-7230	30	.700 (17.78)	.815 (20.70)	1.199 (30.45)	1.010 (25.65)	
71660-7240	40	.950 (24.13)	1.065 (27.05)	1.449 (36.80)	1.260 (32.00)	
71660-7250	50	1.200 (30.48)	1.315 (33.40)	1.699 (43.15)	1.510 (38.35)	
71660-7260	60	1.450 (36.83)	1.565 (39.75)	1.949 (49.50)	1.760 (44.70)	
71660-7268	68	1.650 (41.91)	1.765 (44.83)	2.149 (54.58)	1.960 (49.78)	
71660-7280	80	1.950 (49.53)	2.065 (52.45)	2.449 (62.20)	2.260 (57.40)	
71660-7300	100	2.450 (62.23)	2.565 (65.15)	2.949 (74.90)	2.760 (70.10)	
71660-7320	120	2.950 (74.93)	3.065 (77.85)	3.449 (87.60)	3.260 (82.80)	
71660-7330	130	3.200 (81.28)	3.315 (84.20)	3.699 (93.95)	3.510 (89.15)	
71660-7630	30	.700 (17.78)	.815 (20.70)	1.199 (30.45)	1.010 (25.65)	.155 (3.94)
71660-7640	40	.950 (24.13)	1.065 (27.05)	1.449 (36.80)	1.260 (32.00)	
71660-7650	50	1.200 (30.48)	1.315 (33.40)	1.699 (43.15)	1.510 (38.35)	
71660-7660	60	1.450 (36.83)	1.565 (39.75)	1.949 (49.50)	1.760 (44.70)	
71660-7668	68	1.650 (41.91)	1.765 (44.83)	2.149 (54.58)	1.960 (49.78)	
71660-7680	80	1.950 (49.53)	2.065 (52.45)	2.449 (62.20)	2.260 (57.40)	
71660-7700	100	2.450 (62.23)	2.565 (65.15)	2.949 (74.90)	2.760 (70.10)	
71660-7720	120	2.950 (74.93)	3.065 (77.85)	3.449 (87.60)	3.260 (82.80)	
71660-7730	130	3.200 (81.28)	3.315 (84.20)	3.699 (93.95)	3.510 (89.15)	



RECOMMENDED PC BOARD LAYOUT Δ
 COMPONENT SIDE
 FOR 40, 60, 68, 80, 100, 120 CIRCUIT SIZES

N	SEE SHEET I
K	SEE SHEET I

DIMENSIONS SHOWN (METRIC) INCH		▽ = 0 ▼ = 0		REVISE ONLY ON CAD SYSTEM	
UNLESS OTHERWISE SPECIFIED TOLERANCES: ANGULAR ± 1/2°					
3 PLACE	± .005	---	---		
2 PLACE	± ---	± 0.13	---		
1 PLACE	---	± ---	---		
DRAFT WHERE APPLICABLE MUST REMAIN WITHIN DIMENSIONS					
DRWG. BY	RAN	CHK'D. BY	RAN	FILE NAME	571660BXT
APP'D. BY	CAB	SCALE	4: 1	THIS DRAWING CONTAINS INFORMATION THAT IS PROPRIETARY TO MOLEX INC. AND SHOULD NOT BE USED WITHOUT WRITTEN PERMISSION.	DRWG. NO. SDA-71660-7***
TITLE		SALES ASSEMBLY		SHEET NO. 2	
EBBI 50D, VERTICAL RCPT, BLIND MATE CONNECTOR		MOLEX INCORPORATED		DATE 11/17/93	
PART NO.		MFG. SH. REV. LTR.		REVISIONS	
SEE TABLE		60532		U.S.A.	