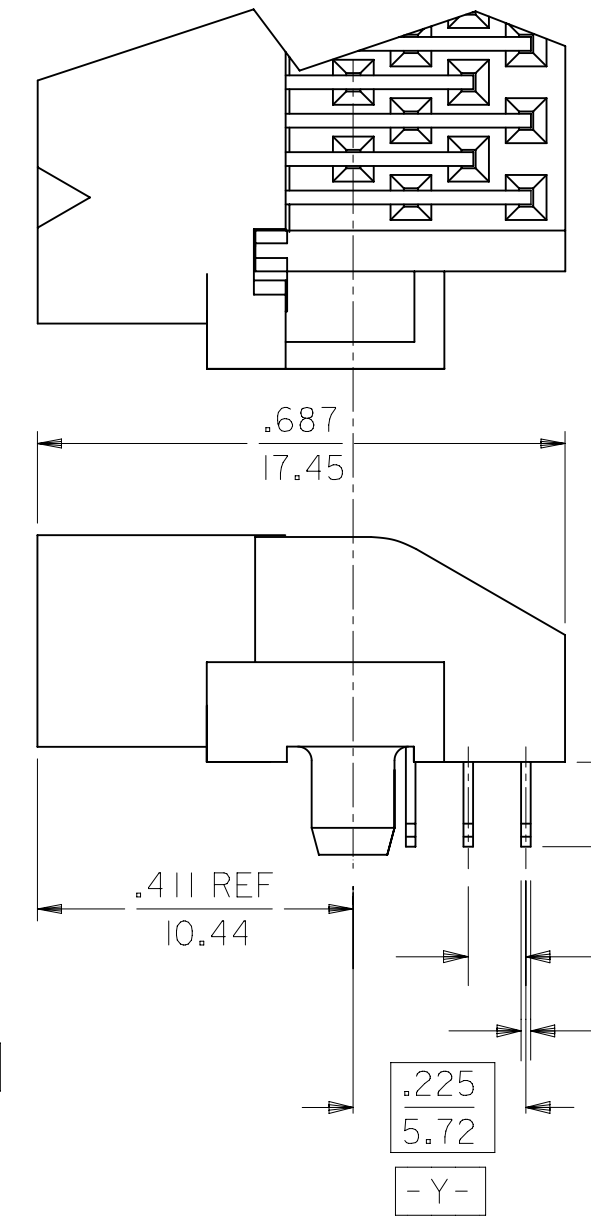
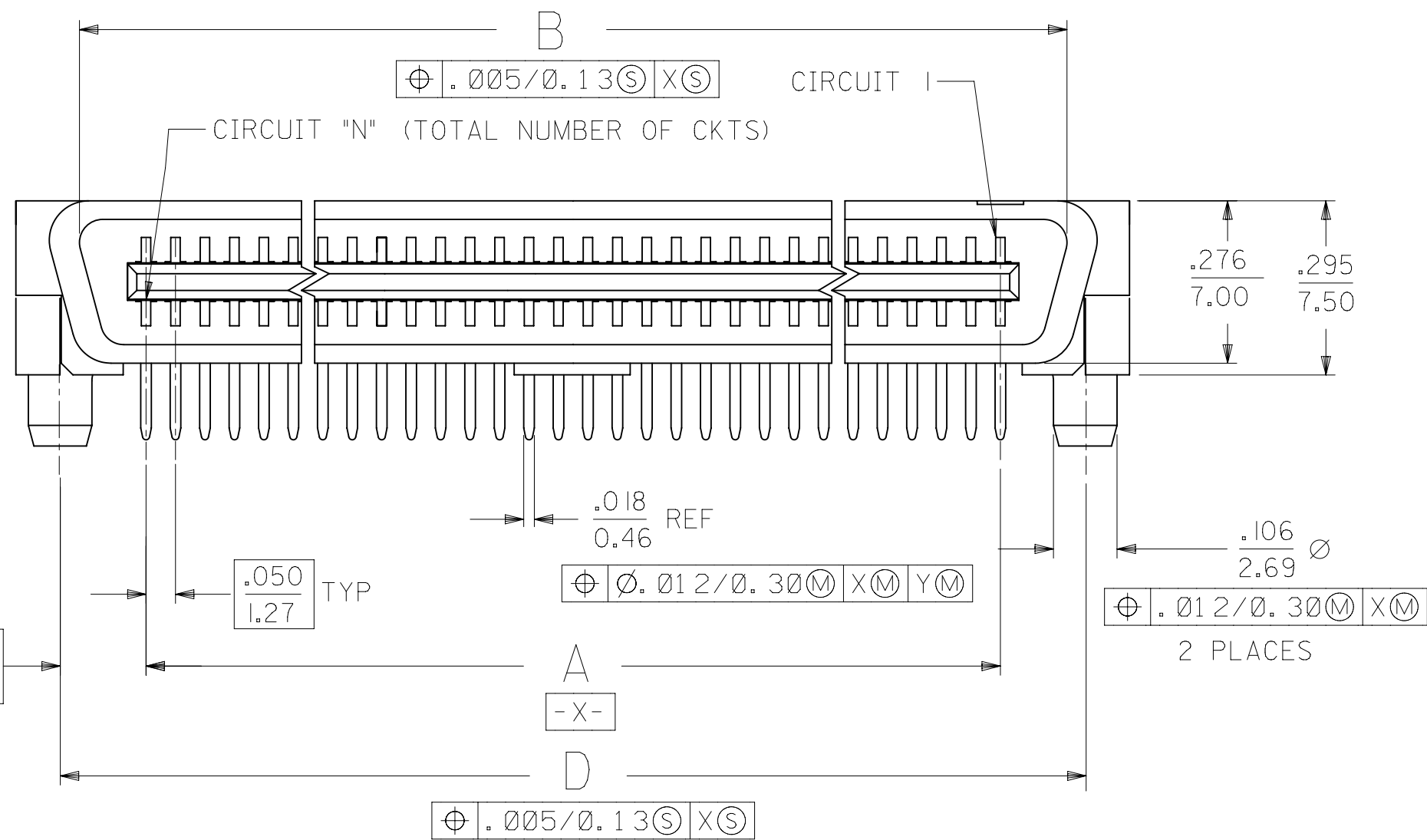
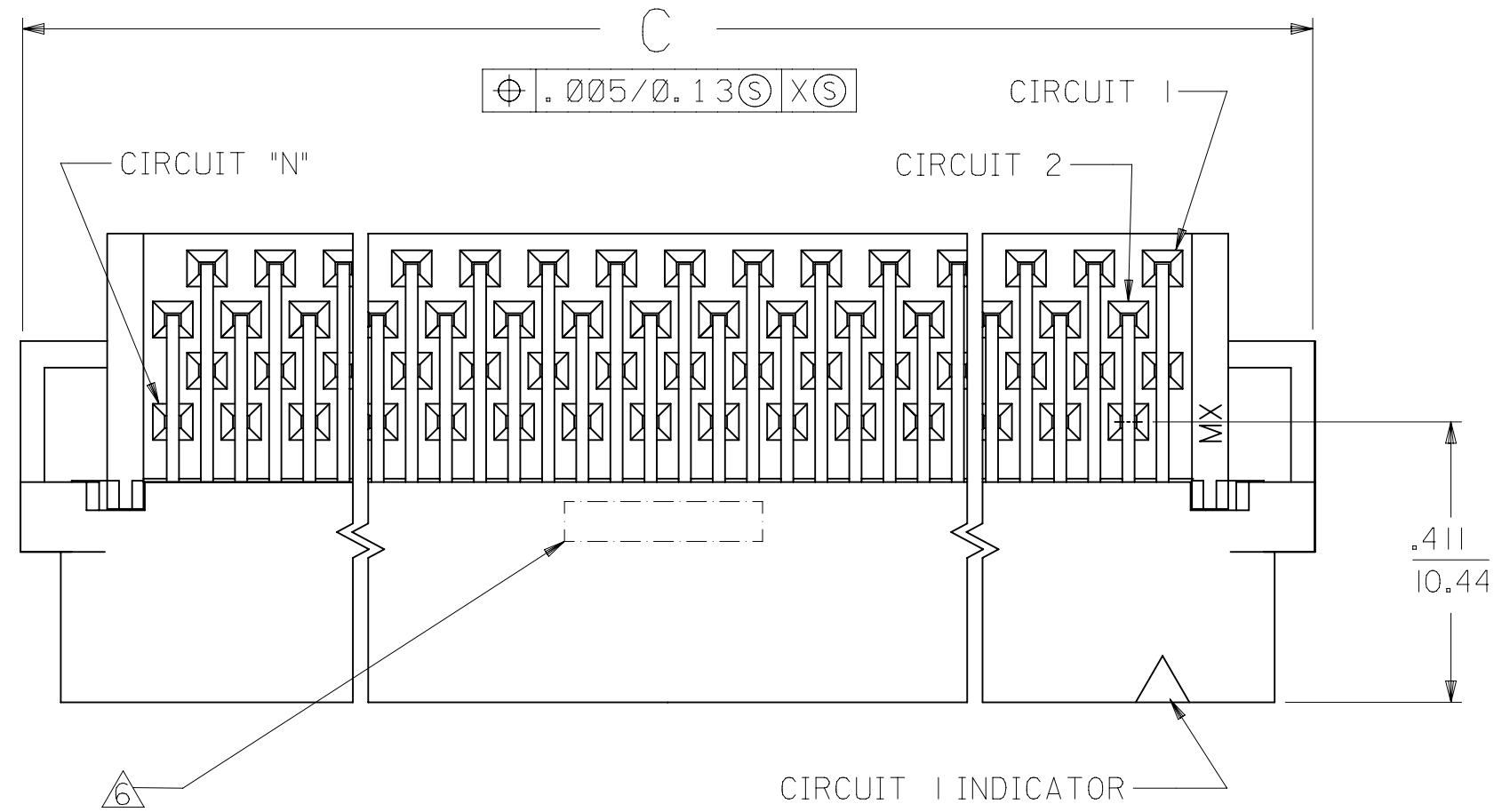
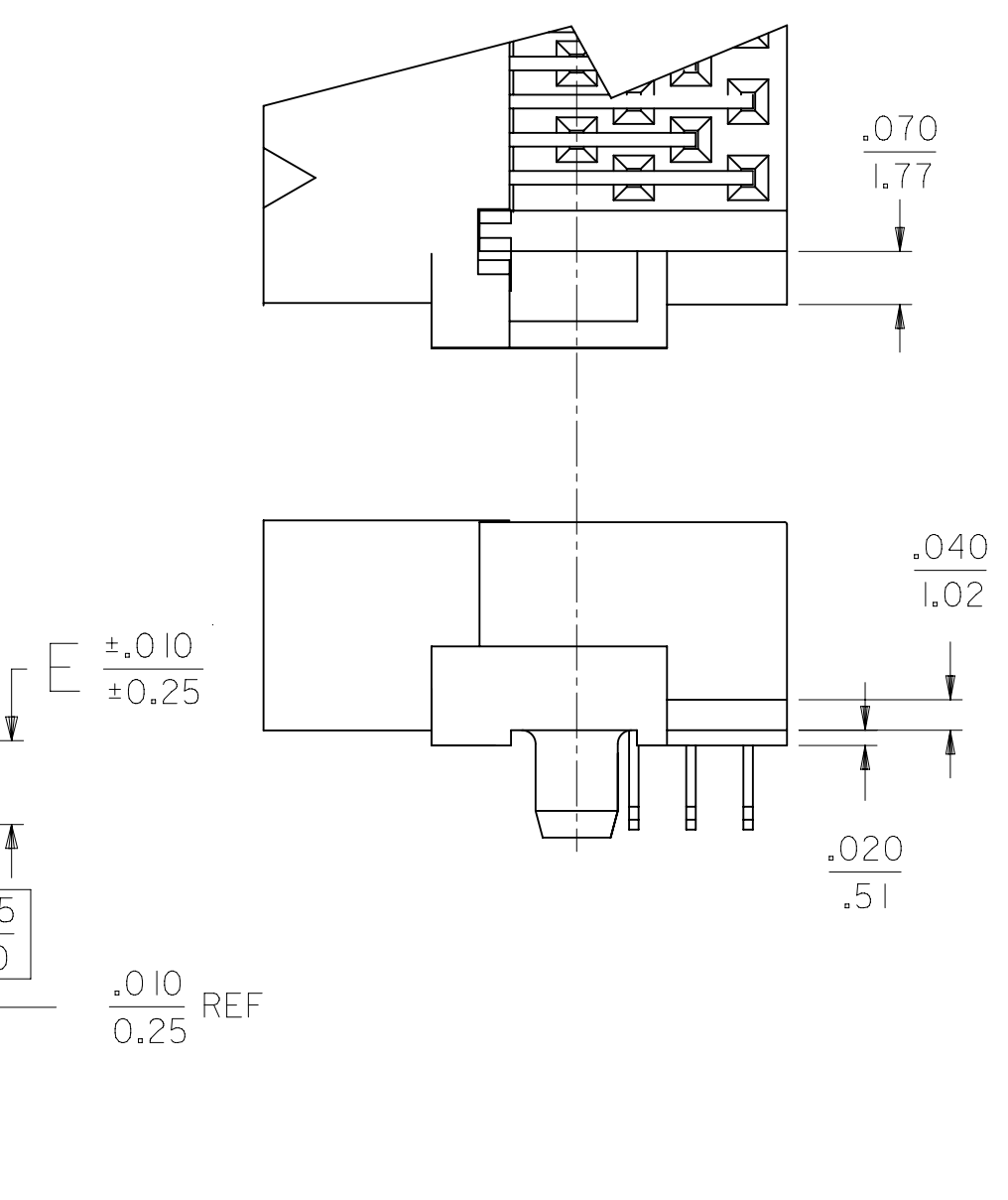


NOTES:

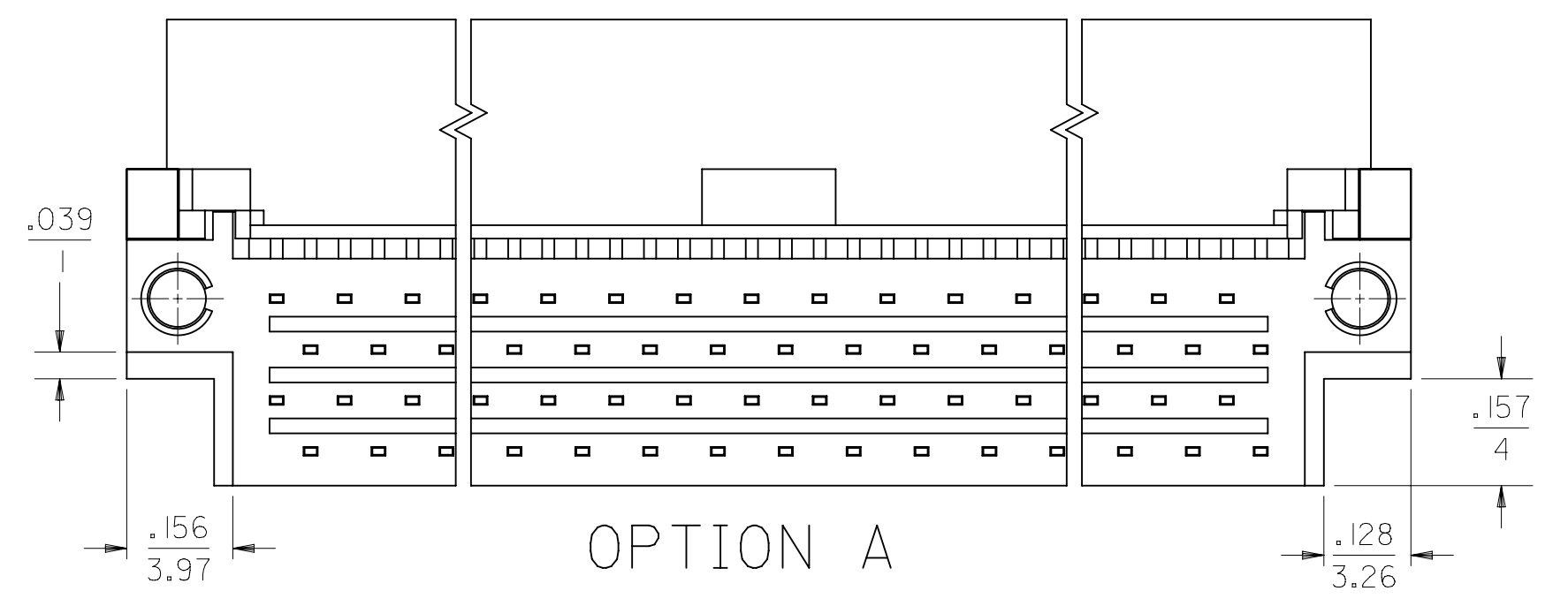
1. MATERIAL:
HOUSING: LIQUID CRYSTAL POLYMER (LCP), GLAS-FILLED, UL 94V-0,
COLOR: BLASK
TERMINALS: BRASS
2. FINISH:
TERMINAL: 0.76 MICROMETERS/30 MICROINCHES MINIMUM SELECTIVE GOLD
IN CONTACT AREA; 1.27 MICROMETERS/50 MICROINCHES MINIMUM
SELECTIVE TIN IN THE PC TAIL AREA; NICKEL UNDERPLATE OVERALL
3. ASSEMBLY MATES WITH MOLEX P/N SDA-71660-****
4. CONFORMS TO PRODUCT SPEC: PS-71660
5. RECOMMENDED PC BOARD THICKNESS IS .062/1.60
6. FOUR DIGIT DATE CODE (WK, YR) EXAMPLE 26 96 LOCATED IN AREA SHOWN
7. TOOLING STATUS: "X" INDICATES NO TOOLING AVAILABLE
CONTACT FACTORY FOR FURTHER INFORMATION



END DETAIL
OPTION A
(BOTH ENDS)

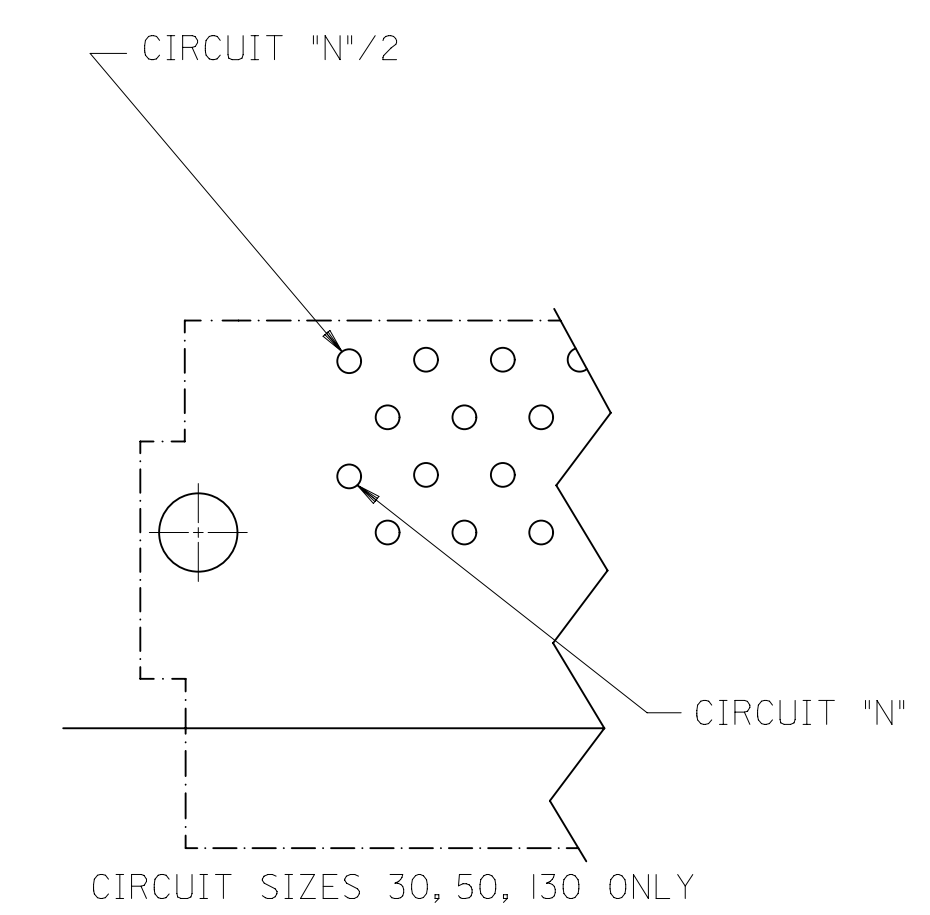
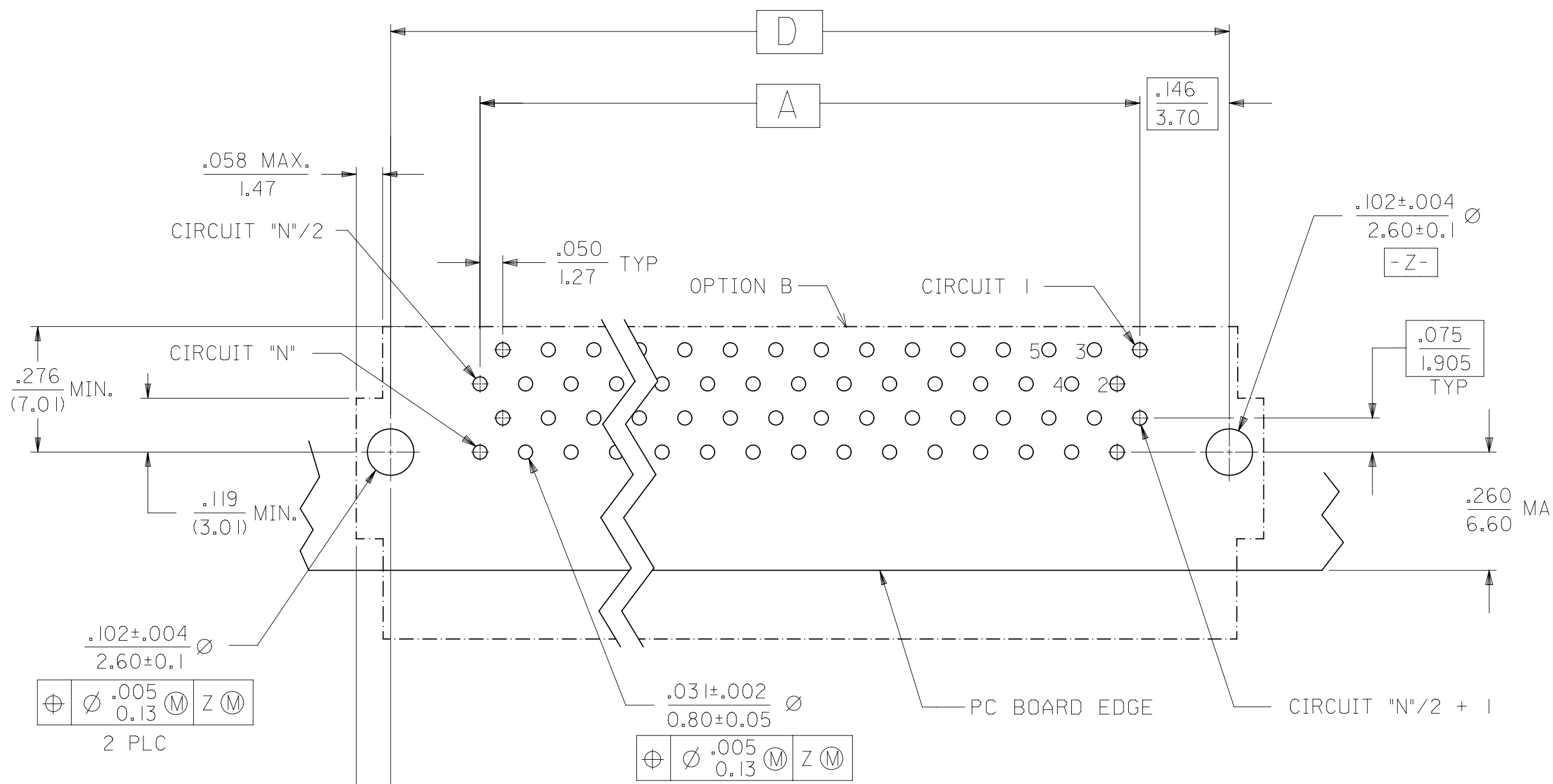


END DETAIL
OPTION B
(BOTH ENDS)



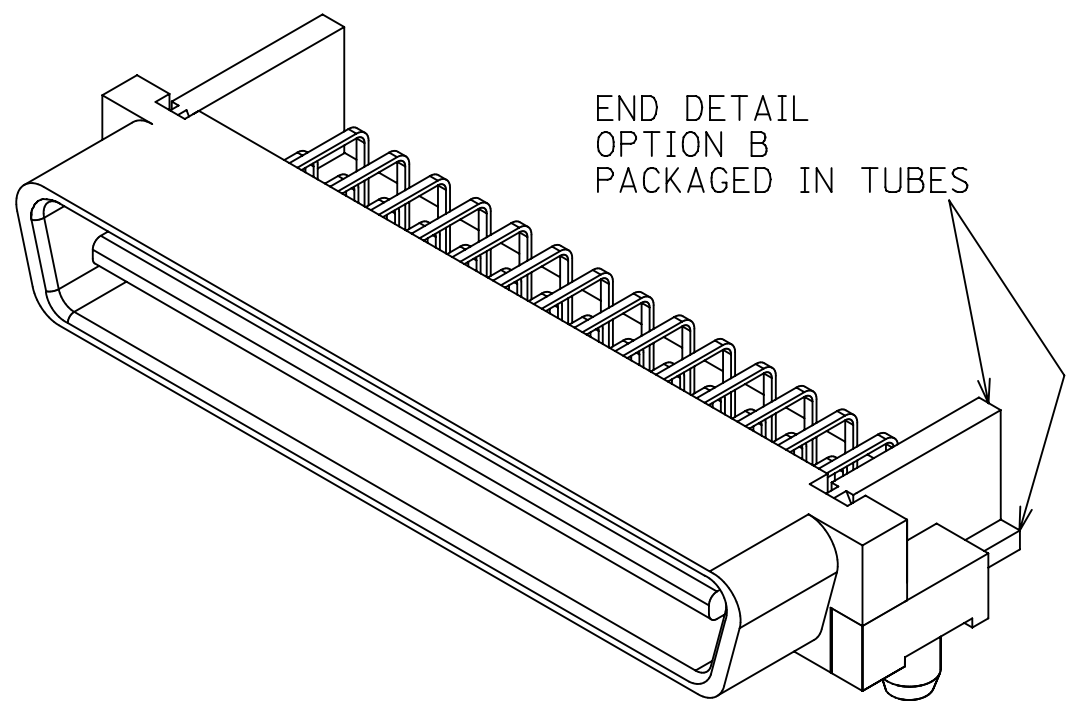
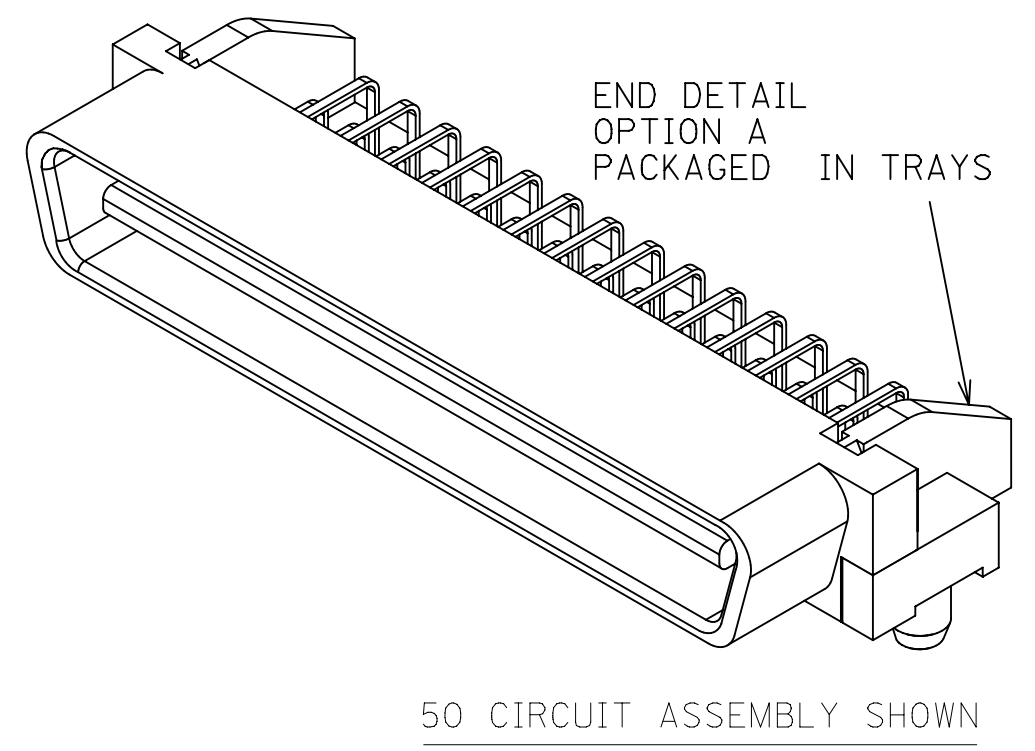
OPTION A

THIS DRAWING CONTAINS INFORMATION THAT IS PROPRIETARY TO MOLEX ELECTRONIC TECHNOLOGIES, LLC AND SHOULD NOT BE USED WITHOUT WRITTEN PERMISSION									
DIMENSION UNITS IN/MM		SCALE 4:1		CURRENT REV DESC: OBSOLETE PART NO					
GENERAL TOLERANCES (UNLESS SPECIFIED)				EC NO: 625872		molex			
4 PLACES ±		±		DRWN: AKUMAR19					
3 PLACES ±		± 0.01		CHK'D: GB		2019/11/06		SALES ASSEMBLY EBBI 50D RIGHT ANGLE PLUG CONNECTOR	
2 PLACES ±		± 0.25		APPR: GGA		2019/11/12		PRODUCT CUSTOMER DRAWING	
1 PLACE ±		±		INITIAL REVISION:		DOCUMENT NUMBER			
0 PLACES ±		±		DRWN: RAN		1993/02/23		SDA-71661-2XXX	
ANGULAR TOL ± 0.5°		± 0.5°		APPR: CAB		1993/02/23		DOC TYPE DOC PART REVISION	
DRAFT WHERE APPLICABLE MUST REMAIN WITHIN DIMENSIONS				THIRD ANGLE PROJECTION		DRAWING		SERIES	
				C-SIZE		71661		MATERIAL NUMBER	
								CUSTOMER	
								GENERAL MARKET	
								SHEET NUMBER	
								1 OF 2	



RECOMMENDED PC BOARD LAYOUT COMPONENT SIDE

TRAY PACK PER SPEC. PK-70873-084*
END DETAIL OPTION "A"



.125 (3.18)	3.491 (88.68)	3.642 (92.50)	3.426 (87.02)	3.200 (81.28)	130	71661-2430
	3.241 (82.33)	3.392 (86.15)	3.176 (80.67)	2.950 (74.93)	120	71661-2420
	2.741 (69.63)	2.892 (73.45)	2.676 (67.97)	2.450 (62.23)	100	71661-2400
	2.241 (56.93)	2.392 (60.75)	2.176 (55.27)	1.950 (49.53)	80	71661-2380
	1.941 (49.31)	2.092 (53.13)	1.875 (47.65)	1.650 (41.91)	68	71661-2368
	1.741 (44.23)	1.892 (48.05)	1.676 (42.57)	1.450 (36.83)	60	71661-2360
	1.491 (37.88)	1.642 (41.70)	1.426 (36.22)	1.200 (30.48)	50	71661-2350
.110 (2.79)	.991 (25.18)	1.142 (29.00)	.925 (23.52)	.700 (17.78)	30	71661-2330
	3.491 (88.68)	3.642 (92.50)	3.426 (87.02)	3.200 (81.28)	130	71661-2130
	2.741 (69.63)	2.892 (73.45)	2.676 (67.97)	2.450 (62.23)	100	71661-2100
	2.241 (56.93)	2.392 (60.75)	2.176 (55.27)	1.950 (49.53)	80	71661-2080
	1.941 (49.31)	2.092 (53.13)	1.875 (47.65)	1.650 (41.91)	68	71661-2068
	1.741 (44.23)	1.892 (48.05)	1.676 (42.57)	1.450 (36.83)	60	71661-2060
	1.491 (37.88)	1.642 (41.70)	1.426 (36.22)	1.200 (30.48)	50	71661-2050
E	1.241 (31.53)	1.392 (35.35)	1.176 (29.87)	.950 (24.13)	40	71661-2040
	.991 (25.18)	1.142 (29.00)	.925 (23.52)	.700 (17.78)	30	71661-2030
E	D	C	B	A	CKT ("N")	ITEM NUMBER

THIS DRAWING CONTAINS INFORMATION THAT IS PROPRIETARY TO MOLEX ELECTRONIC TECHNOLOGIES, LLC AND SHOULD NOT BE USED WITHOUT WRITTEN PERMISSION

DIMENSION UNITS IN/MM	SCALE 4:1	CURRENT REV DESC: OBSOLETE PART NO		molex		
GENERAL TOLERANCES (UNLESS SPECIFIED)		EC NO: 625872				
4 PLACES ±	MM INCH	DRWN: AKUMAR19 2019/06/17		EBBI 50D RIGHT ANGLE PLUG CONNECTOR		
3 PLACES ±	± 0.01	CHK'D: GB 2019/11/06		PRODUCT CUSTOMER DRAWING		
2 PLACES ±	0.25 ±	APPR: GGA 2019/11/12		DOCUMENT NUMBER		
1 PLACE ±	±	INITIAL REVISION:		SDA-71661-2XXX		
0 PLACES ±	±	DRWN: RAN 1993/02/23		DOC TYPE DOC PART REVISION		
ANGULAR TOL ± 0.5°	± 0.5°	APPR: CAB 1993/02/23		PSD 001 P		
DRAFT WHERE APPLICABLE MUST REMAIN WITHIN DIMENSIONS	THIRD ANGLE PROJECTION	DRAWING	SERIES	MATERIAL NUMBER	CUSTOMER	SHEET NUMBER
		C-SIZE	71661	SEE TABLE	GENERAL MARKET	2 OF 2