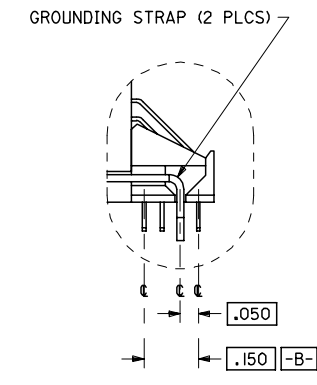
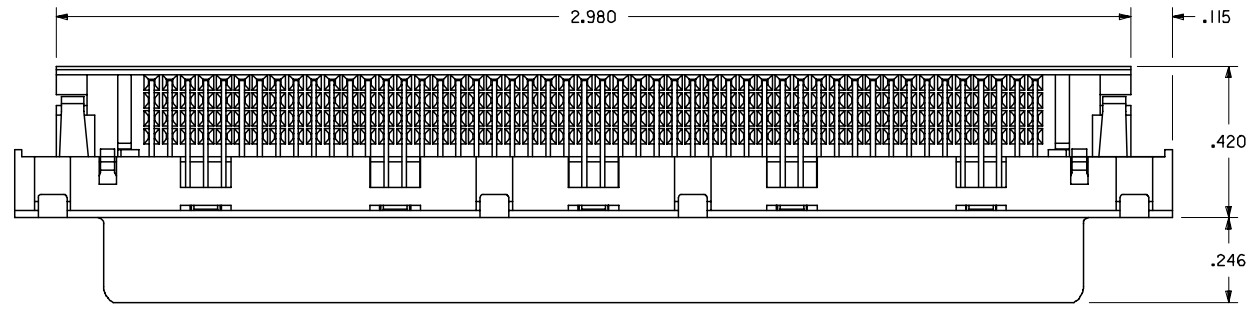
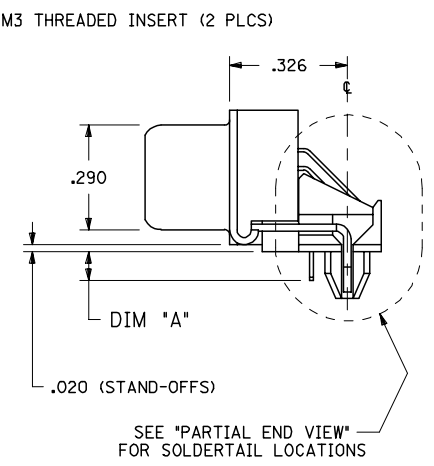
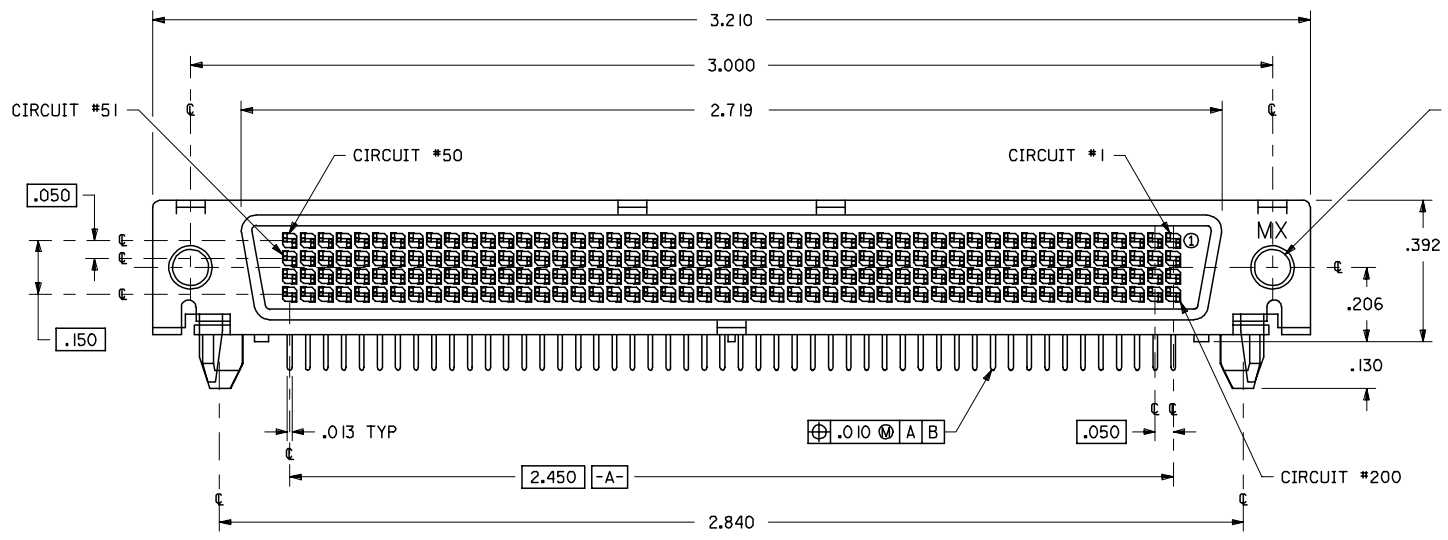


13 12 11 10 9 8 7 6 5 4 3 2 1



PARTIAL END VIEW
(MOUNTING PEG OMITTED FOR CLARITY)



SEE "PARTIAL END VIEW" FOR SOLDER TAIL LOCATIONS

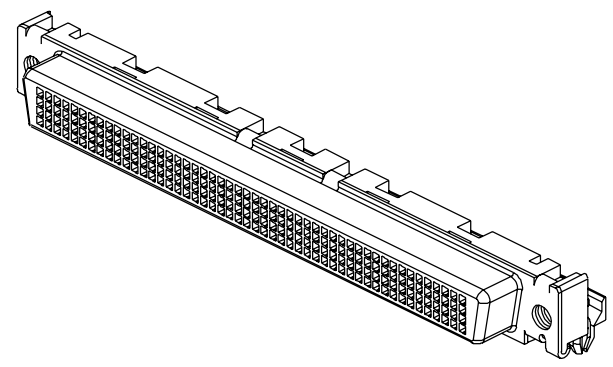
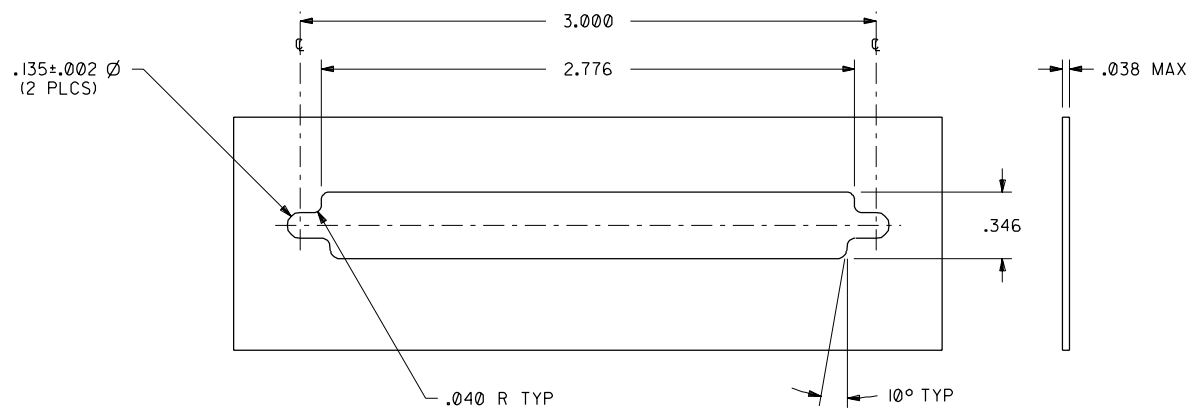
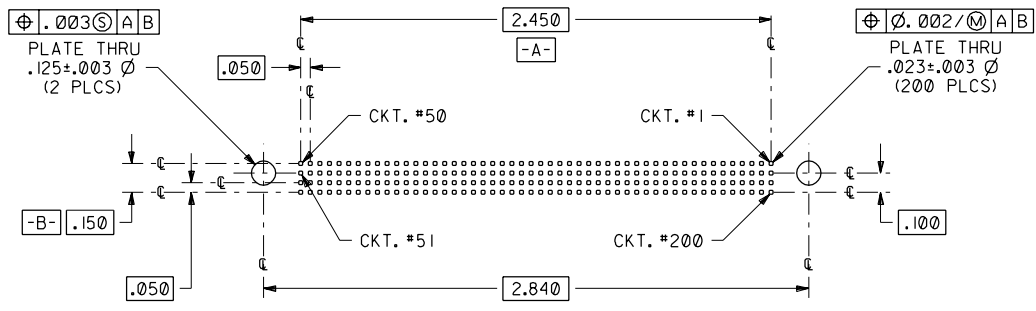
- NOTES:
- 1) MATERIALS:
HOUSING, TAIL ALIGNER, AND INSERT-MOLDED STICKS ARE GLASS FILLED LCP (LIQUID CRYSTAL POLYMER), U.L. 94 V-0, COLOR IS BLACK; THE FEMALE TERMINALS ARE BERYLLIUM COPPER, 0.010" THICK; AND THE OUTER SHELL IS LOW-CARBON STEEL, .020" THICK.
 - 2) TERMINAL PLATING:
30 MICROINCHES/(0.76 MICROMETER) MINIMUM OF GOLD IN SELECTIVE AREA; 100 MICRO-INCHES MINIMUM OF TIN IN SELECTIVE AREA; ALL OVER NICKEL UNDERPLATE OVERALL.
 - 3) OUTER SHELL FINISH:
150 MICROINCHES/(3.81 MICROMETER) MINIMUM OF BRIGHT TIN; OVER 50 MICROINCHES/(3.81 MICROMETER) OF NICKEL; OVER COPPER FLASH (OPTIONAL).
 - 4) PARTS CONFORM TO MOLEX PRODUCT SPECIFICATION *PS-71718-9999.
 - 5) PACKAGING PER MOLEX SPECIFICATION *PK-70873-0299.
 - 6) SEE SHEET #2 FOR PART NUMBERS, RECOMMENDED BOARD LAYOUT AND PANEL CUT-OUT.
 - 7) PART COMPLIES WITH CLASS B OF COSMETIC SPECIFICATION PS-45499-002

NOTE FOR LEAD FREE CONVERSION:
THE PRIMARY SHIPPING CARTON WILL BE LABELED *COMPLIANT TO RoHS DIRECTIVE 2002/95/EC AND ELV ANNEX II OF DIRECTIVE 2000/53/EC*. CARTONS WITHOUT THIS LABEL MAY CONTAIN PRODUCT WITH LEAD.

71718-2001	.120±.010	2	F1
71718-2000	.079±.010	1	H
ITEM NUMBER	DIM. A	SHT	REV

ADD NOTE 7 EC NO: UCP2006-3051 DRAWN:MSIBARRA 2006/07/10 CHKD:DMORGAN 2006/07/10 APPR:SMILLER 2006/07/11	DESCRIPTION .050 PITCH LFH 200 CKT RIGHT ANGLE I/O RECEPTACLE SALES ASSY	QUALITY SYMBOLS ▽=0 ▽=0		GENERAL TOLERANCES (UNLESS SPECIFIED) mm INCH 4 PLACES ± --- ± --- 3 PLACES ± --- ± .010 2 PLACES ± --- ± --- 1 PLACE ± --- ± --- ANGULAR ±1/2°		DIMENSION STYLE INCH ONLY DRAWN BY DATE GLT 1995/05/15 CHECKED BY DATE GLT 1995/05/15 APPROVED BY DATE JWF 1995/05/15		SCALE 4:1	DESIGN UNITS INCH	THIRD ANGLE PROJECTION	
		DRAFT WHERE APPLICABLE MUST REMAIN WITHIN DIMENSIONS		MATERIAL NO. SEE TABLE		DOCUMENT NO. SDA-71718-2***		SHEET NO. 1 OF 2			
		THIS DRAWING CONTAINS INFORMATION THAT IS PROPRIETARY TO MOLEX INCORPORATED AND SHOULD NOT BE USED WITHOUT WRITTEN PERMISSION									
		MOLEX INCORPORATED									

12 11 10 9 8 7 6 5 4 3 2 1



DIMENSIONS SHOWN <input type="checkbox"/> INCH <input checked="" type="checkbox"/> METRIC		UNLESS OTHERWISE SPECIFIED TOLERANCES: ANGULAR $\pm 1/2^\circ$		REVISIONS		REVISIONS		MFG. SH. REV.	
3 PLACE	$\pm .010$	INCH	METRIC	FI		SEE SHEET #1		TITLE	
2 PLACE	\pm							.050" PITCH LFH, 200 CKT. RIGHT ANGLE I/O RECEPTACLE, SALES ASSEMBLY	
1 PLACE	\pm							MOLEX INCORPORATED	
DRAFT WHERE APPLICABLE MUST REMAIN WITHIN DIMENSIONS				PART NO.		SHEET NO.		DATE	
DRAWN BY: GLT				CHK'D BY: GLT		2		05/15/95	
APPROVED BY: GWF				SCALE: 2:1		SEE CHART		SDA-71718-2***	
FILE NAME: S7171802.DCN				DIV.:		SIZE:		CPP C	