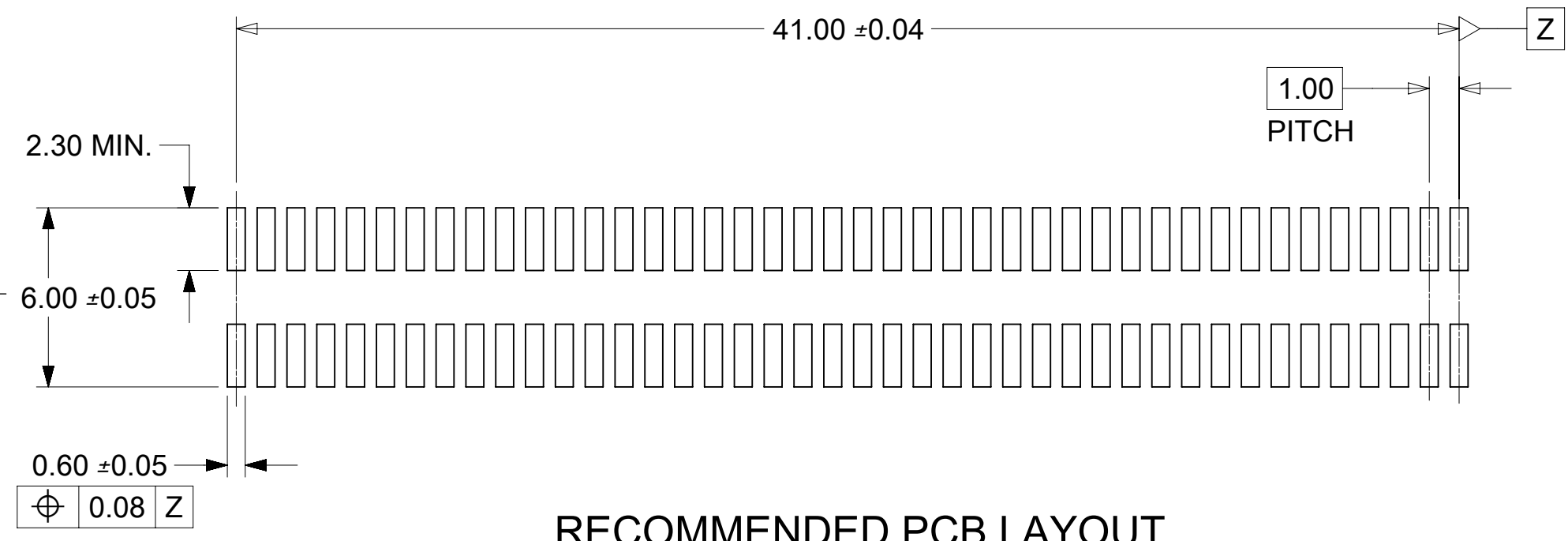
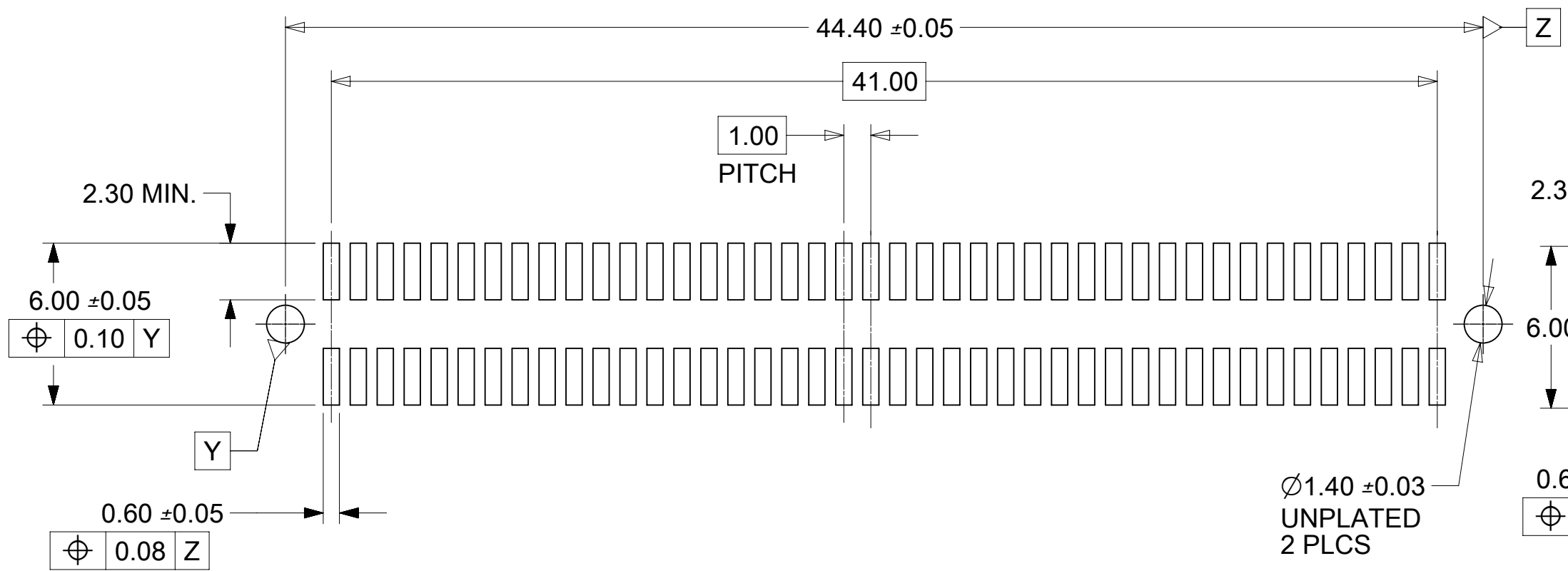
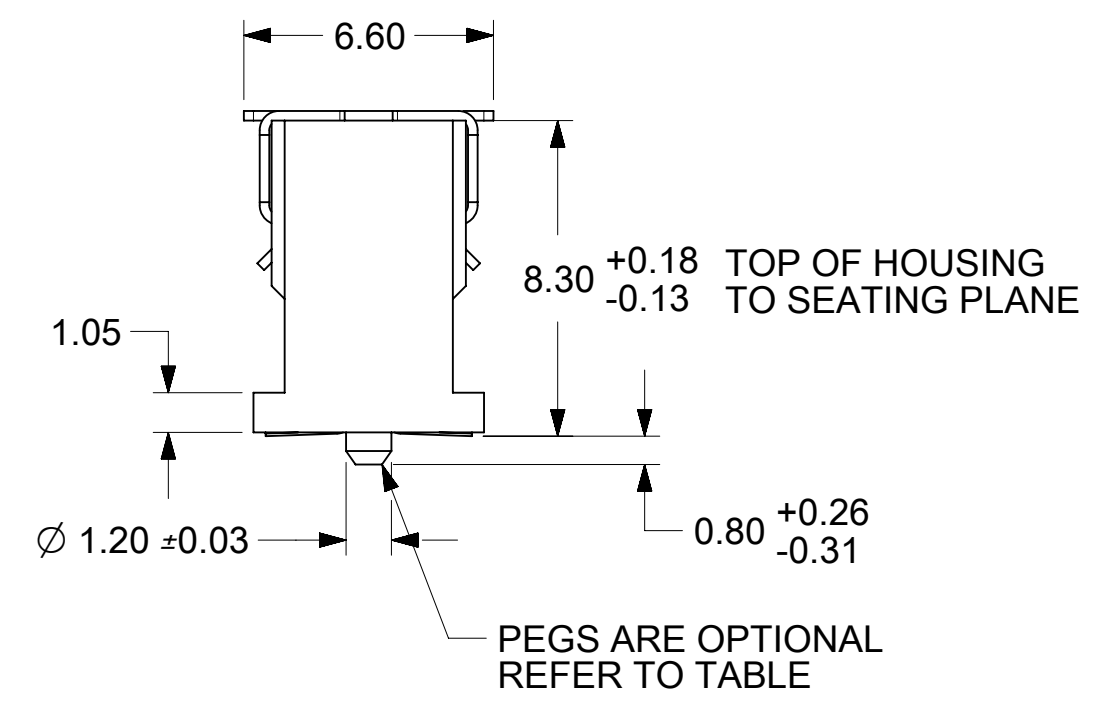
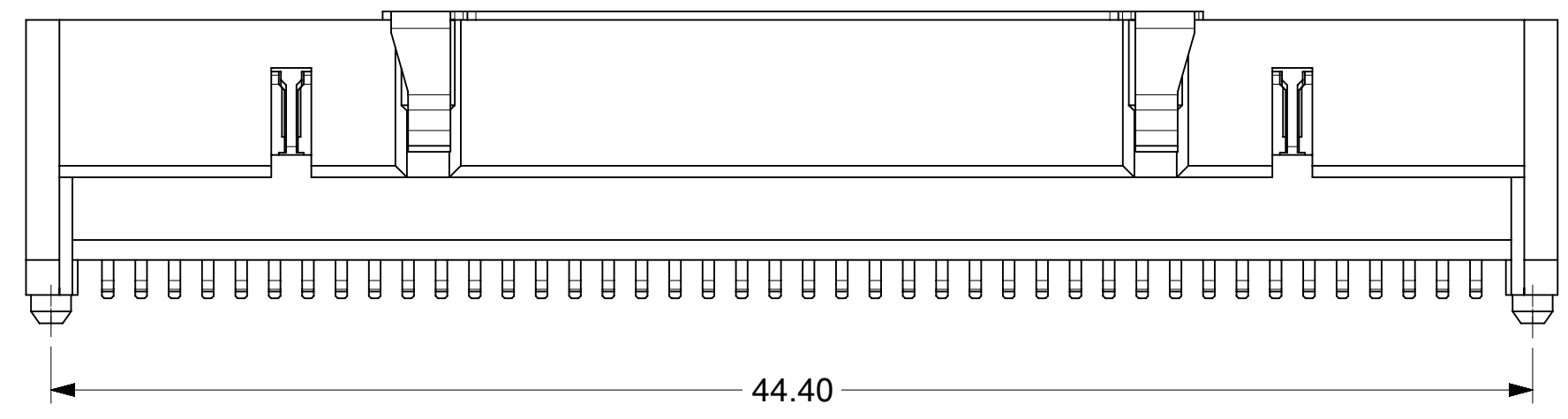


NOTES:

- HOUSING MATERIAL : GLASS FILLED LIQUID CRYSTAL POLYMER (LCP);
UL RATING: 94V-0; COLOR: WHITE
TERMINAL MATERIAL: PHOSPHOR BRONZE
VACUUM CAP MATERIAL: STAINLESS STEEL
- COPLANARITY OF SMT TAILS: 0.10 MAX.
- PACKAGING SPECIFICATIONS : REFER TO TABLE.
- THIS PART, WHEN MATED WITH MOLEX U.S.PART NO. 71742-0*** OR MOLEX JAPAN PART NO. 52841-0848, CONFORMS TO MOLEX PRODUCT SPECIFICATION PS-71741-9999.



RECOMMENDED PCB LAYOUT WITH PEGS

RECOMMENDED PCB THICKNESS: 1.0±0.1 mm MIN.

RECOMMENDED PCB LAYOUT

RECOMMENDED PCB THICKNESS: 1.0±0.1 mm MIN.

PLATINGS:

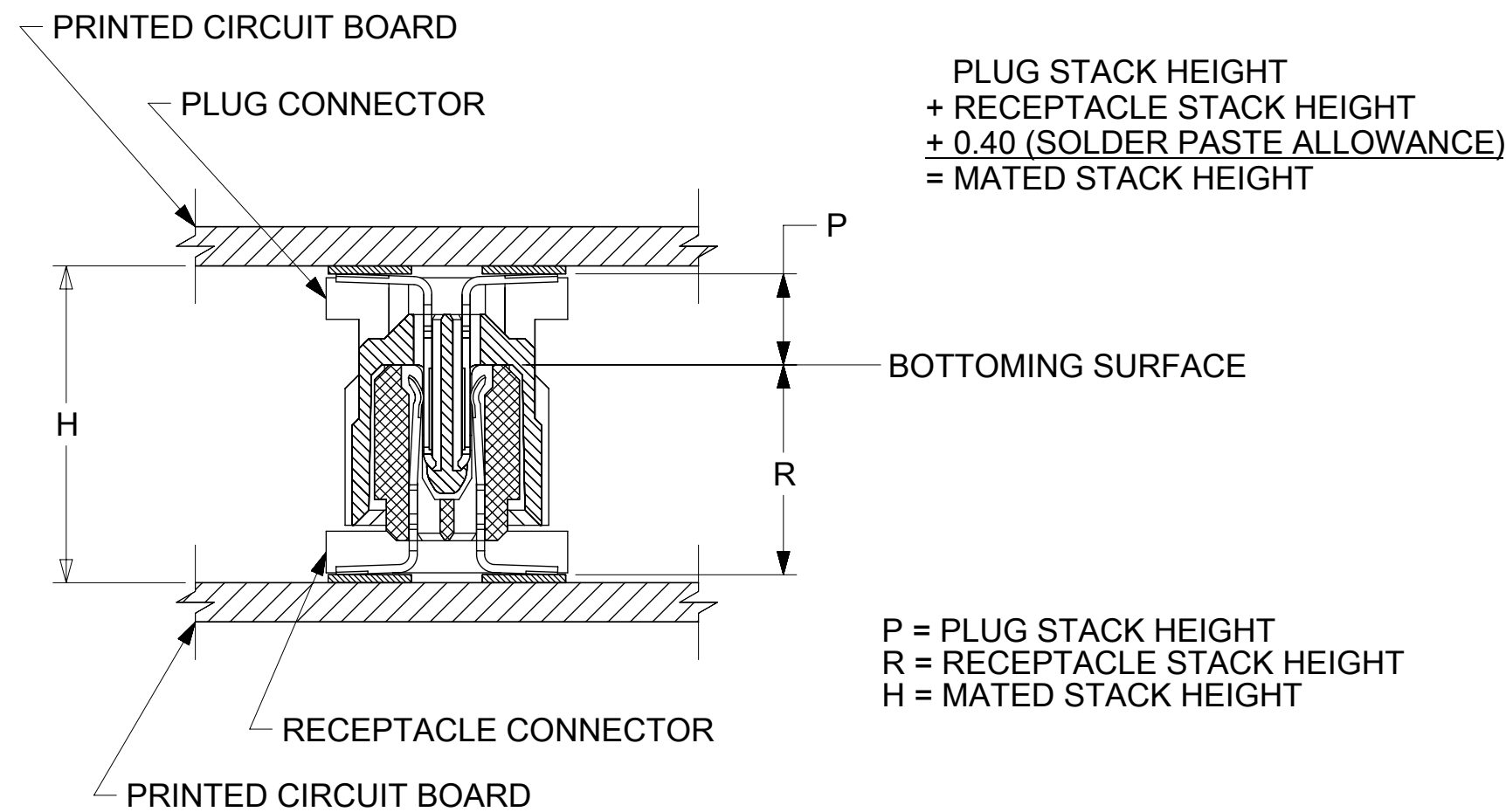
- X21 - .76 MICROMETERS MINIMUM GOLD PLATE IN SELECT AREA, 1.91 MICROMETERS MINIMUM TIN PLATE IN SELECT AREA, OVER NICKEL UNDERPLATE.
- X71 - .25 MICROMETERS MINIMUM GOLD PLATE IN SELECT AREA, 1.02 MICROMETERS MINIMUM TIN PLATE IN SELECT AREA, OVER NICKEL UNDERPLATE.

THIS DRAWING CONTAINS INFORMATION THAT IS PROPRIETARY TO MOLEX ELECTRONIC TECHNOLOGIES, LLC AND SHOULD NOT BE USED WITHOUT WRITTEN PERMISSION									
SYMBOLS		DIMENSION UNITS		SCALE		CURRENT REV DESC: REDRAWN IN NX			
▽ = 0		mm		5:1		EC NO: 610884			
▽ = 0		GENERAL TOLERANCES (UNLESS SPECIFIED)				DRWN: TTAO03 2018/12/10			
▽ = 0		ANGULAR TOL ± 0.5°				CHK'D: JKACHLIC 2019/02/01			
▽ = 0		4 PLACES ±				APPR: JKACHLIC 2019/02/01			
▽ = 0		3 PLACES ±				INITIAL REVISION:			
▽ = 0		2 PLACES ± 0.18				DRWN: JRR 95/08/14			
▽ = 0		1 PLACE ± 0.33				APPR: CAB 95/08/14			
▽ = 0		0 PLACES ±				DRAFT WHERE APPLICABLE MUST REMAIN WITHIN DIMENSIONS			
▽ = 0		THIRD ANGLE PROJECTION		DRAWING		SERIES		MATERIAL NUMBER	
▽ = 0		C-SIZE		71741		71741		SEE TABLE	
SALES ASSY, 1.0MM 84 CKT BTB PLUG 4.30 MM STACK HEIGHT						PRODUCT CUSTOMER DRAWING		DOCUMENT NUMBER	
molex						717410000		PSD 000 A1	
SALES ASSY, 1.0MM 84 CKT BTB PLUG 4.30 MM STACK HEIGHT						GENERAL MARKET		SHEET NUMBER	
1 OF 2									

MATERIAL NUMBER	PEGS	PICK & PLACE CAP	PACKAGING SPEC. NUMBER	PACKAGING TYPE	TERMINAL PLATING SEE SHEET 1
71741-0004	YES	YES	PK-70873-063	TAPE & REEL	X71
71741-0003	NO	YES	PK-70873-063	TAPE & REEL	X71
71741-0002	YES	YES	PK-70873-063	TAPE & REEL	X21
71741-0001	YES	NO	PK-70873-0607	TUBE	X21

RECOMMENDED PLUG/RECEPTACLE COMBINATION FOR MATED STACK HEIGHT PER EIA STANDARD 700 AAAB

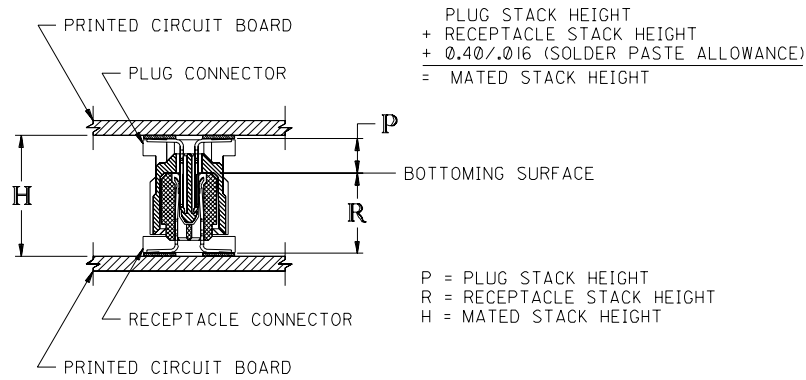
MATED STACK HEIGHT	RECEPTACLE HEIGHT	RECEPTACLE SERIES NO.	PLUG HEIGHT	PLUG SERIES NO.
10.00	5.30	71742-0***	4.30	71741-0***
12.00	7.30	71742-2***		
15.00	10.30	71742-3***		



SYMBOLS	THIS DRAWING CONTAINS INFORMATION THAT IS PROPRIETARY TO MOLEX ELECTRONIC TECHNOLOGIES, LLC AND SHOULD NOT BE USED WITHOUT WRITTEN PERMISSION			
	DIMENSION UNITS	SCALE	CURRENT REV DESC: REDRAWN IN NX	
▽ = 0	mm		molex SALES ASSY, 1.0MM 84 CKT BTB PLUG 4.30 MM STACK HEIGHT	
▽ = 0	GENERAL TOLERANCES (UNLESS SPECIFIED)			
▽ = 0	ANGULAR TOL ± 0.5°		EC NO: 610884	
▽ = 0	4 PLACES ±		DRWN: TTAO03 2018/12/10	
▽ = 0	3 PLACES ±		CHK'D: JKACHLIC 2019/02/01	
▽ = 0	2 PLACES ± 0.18		APPR: JKACHLIC 2019/02/01	
▽ = 0	1 PLACE ± 0.33		INITIAL REVISION:	
▽ = 0	0 PLACES ±		DRWN: JRR 95/08/14	
▽ = 0	DRAFT WHERE APPLICABLE MUST REMAIN WITHIN DIMENSIONS		APPR: CAB 95/08/14	
▽ = 0	THIRD ANGLE PROJECTION	DRAWING	SERIES	DOCUMENT NUMBER
		C-SIZE	71741	717410000
				DOC TYPE
				PSD
				DOC PART
				000
				REVISION
				A1
			MATERIAL NUMBER	CUSTOMER
			SEE TABLE	GENERAL MARKET
				SHEET NUMBER
				2 OF 2

RECOMMENDED PLUG/RECEPTACLE COMBINATION FOR
MATED STACK HEIGHT PER EIA STANDARD 700 AAAB

MATED STACK HEIGHT	RECEPTACLE HEIGHT	RECEPTACLE SERIES NO.	PLUG HEIGHT	PLUG SERIES NO.
10.00/.394	5.30/.209	71742-0***	4.30/.169	71741-0***
15.00/.591	10.30/.406	71742-3***	4.30/.169	71741-0***



METRIC

REVISE ONLY ON CAD SYSTEM

UNLESS OTHERWISE SPECIFIED
TOLERANCES: ANGULAR ± 1/2°

	INCH	METRIC
3 PLACE	± ----	----
2 PLACE	± ----	± ----
1 PLACE	----	± ----

DRAFT WHERE APPLICABLE MUST
REMAIN WITHIN DIMENSIONS

TITLE
SALES ASSY, 1.0mm 84 CKT.
BOARD-TO-BOARD PLUG
4.30/.169 STACK HEIGHT

MOLEX INCORPORATED
L15LEJLL 60532 U.S.A.

PART NO. SEE SHT 1
DRWG. NO. SDA-71741-0***

FILE NAME: ST17410.DGN
THIS DRAWING CONTAINS INFORMATION THAT IS PROPRIETARY TO MOLEX INC. AND SHOULD NOT BE USED WITHOUT WRITTEN PERMISSION.

SHEET NO. 2
DATE 98/12/28
DIV. CPP
SIZE C

LTR.	REVISIONS	LTR.	REVISIONS
		D	SEE SHEET 1

DRWG. BY: KAS
CHK'D. BY: KAS
APP'D. BY: DJB
SCALE: NONE