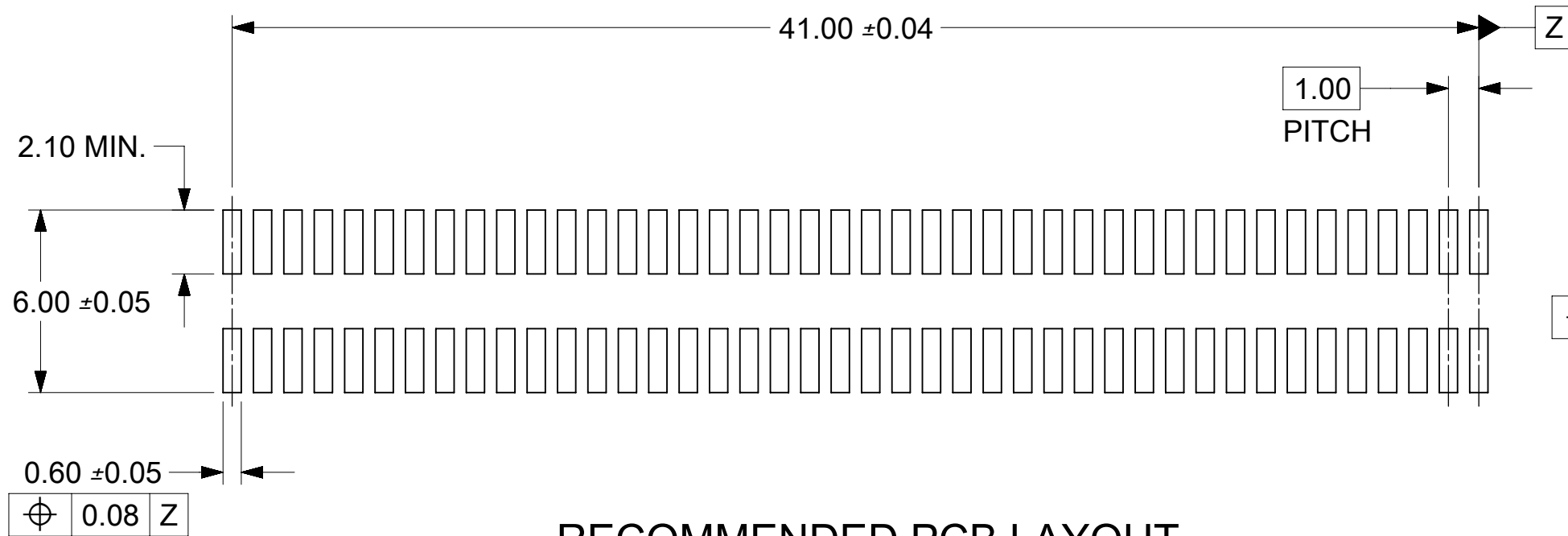
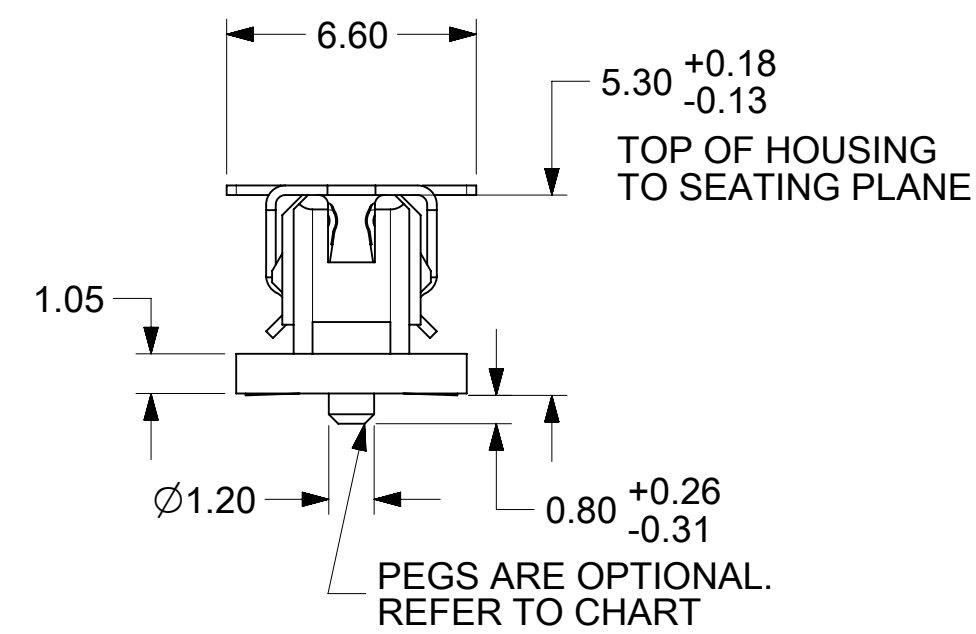
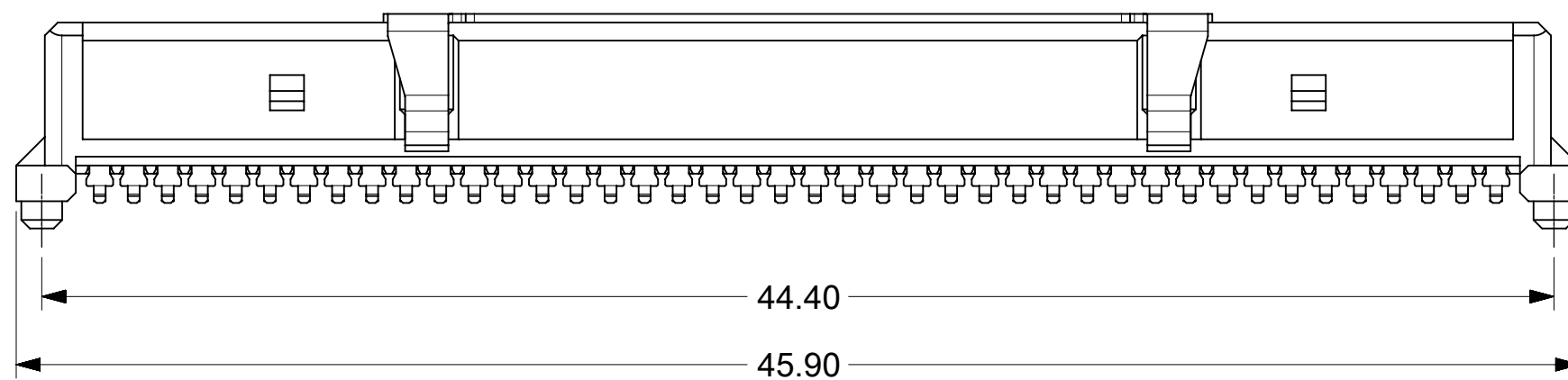
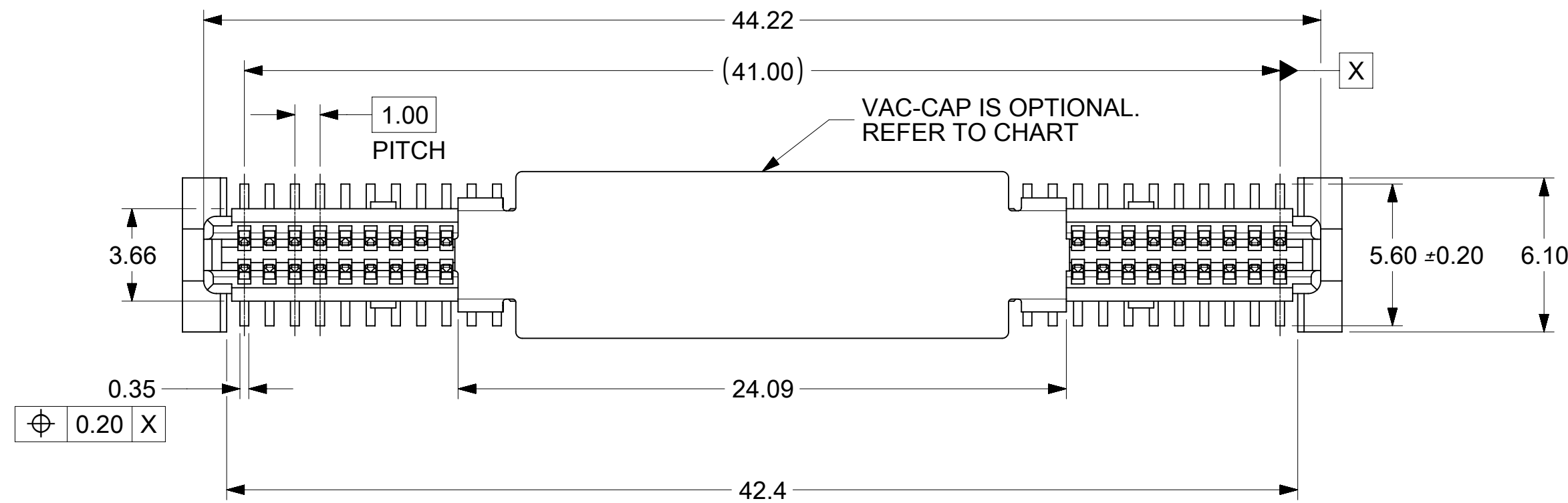
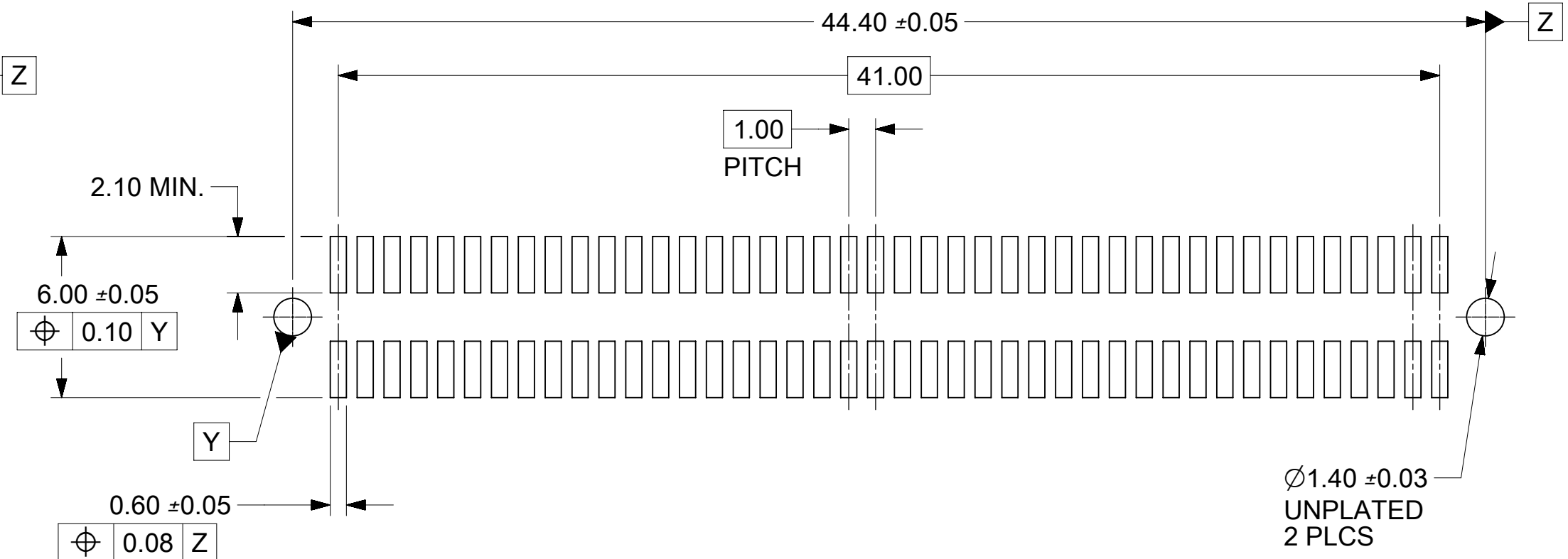


**NOTES:**

- HOUSING MATERIAL : GLASS FILLED LIQUID CRYSTAL POLYMER (LCP);  
UL RATING: 94V-0; COLOR: WHITE  
TERMINAL MATERIAL: PHOSPHOR BRONZE  
VACUUM CAP MATERIAL: STAINLESS STEEL
- COPLANARITY OF SMT TAILS: 0.10 MAX.
- PACKAGING SPECIFICATION : REFER TO CHART
- THIS PART, WHEN MATED WITH MOLEX U.S.PART NO. 71741-0\*\*\* OR MOLEX JAPAN PART NO. 53543-0849, CONFORMS TO MOLEX PRODUCT SPECIFICATION PS-71741-9999.



**RECOMMENDED PCB LAYOUT**  
RECOMMENDED PCB THICKNESS: 1.0±0.1 mm MIN.



**RECOMMENDED PCB LAYOUT WITH PEGS**

RECOMMENDED PCB THICKNESS: 1.0±0.1 mm MIN.

**PLATINGS:**

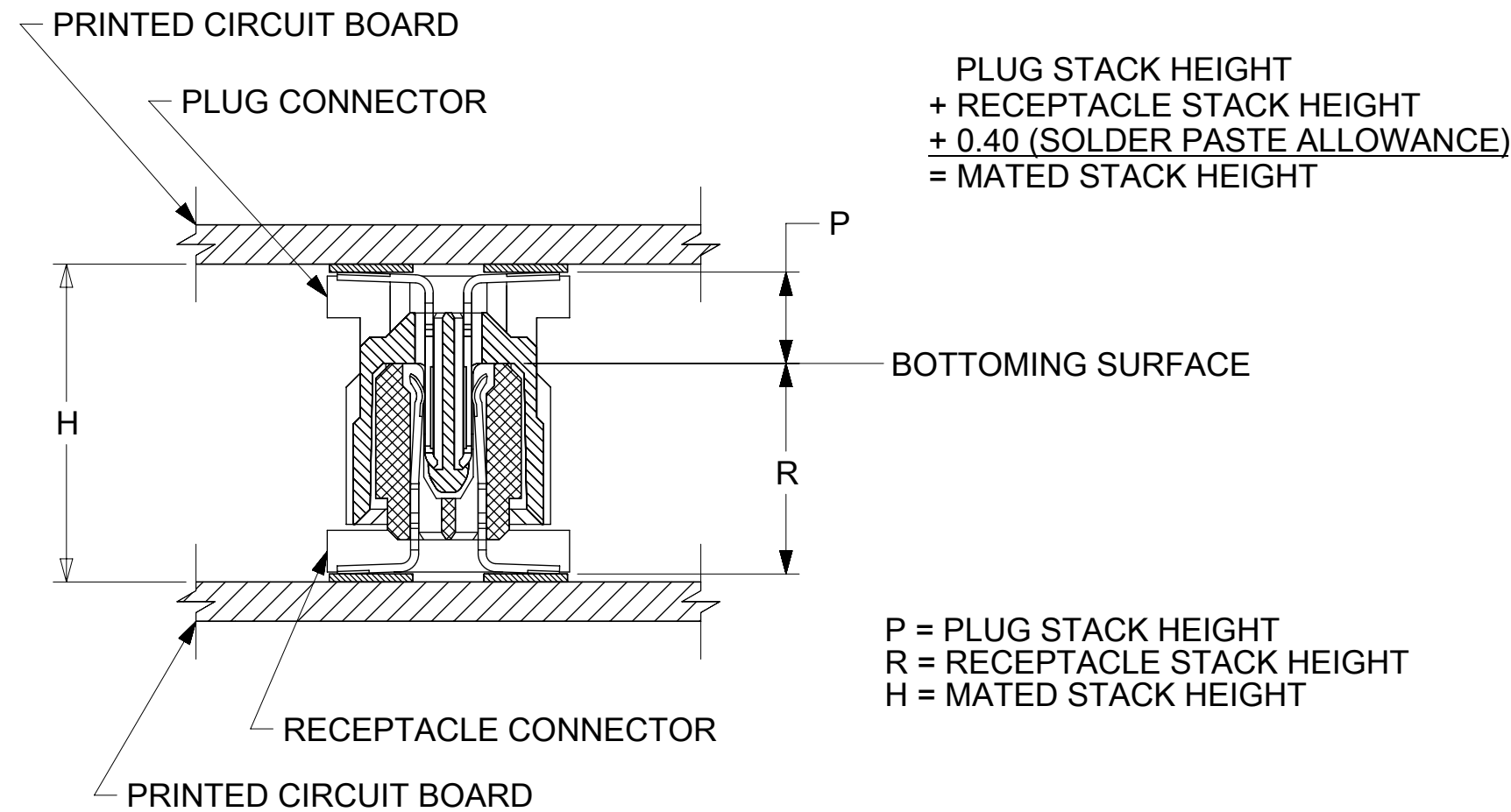
- X21 - .76 MICROMETERS MINIMUM GOLD PLATE IN SELECT AREA, 1.91 MICROMETERS MINIMUM TIN PLATE IN SELECT AREA, OVER NICKEL UNDERPLATE.
- X71 - .25 MICROMETERS MINIMUM GOLD PLATE IN SELECT AREA, 1.02 MICROMETERS MINIMUM TIN PLATE IN SELECT AREA, OVER NICKEL UNDERPLATE.

THIS DRAWING CONTAINS INFORMATION THAT IS PROPRIETARY TO MOLEX ELECTRONIC TECHNOLOGIES, LLC AND SHOULD NOT BE USED WITHOUT WRITTEN PERMISSION									
SYMBOLS	DIMENSION UNITS	SCALE	CURRENT REV DESC: REDRAWN IN NX						
▽ = 0	mm	5:1	<b>molex</b> SALES ASSY, 1.0MM 84 CKT BTB RECEPTACLE CONNECTOR 5.30 STACK HEIGHT PRODUCT CUSTOMER DRAWING DOCUMENT NUMBER: 717420000   DOC TYPE: PSD   DOC PART: 000   REVISION: A1 MATERIAL NUMBER: SEE TABLE   CUSTOMER: GENERAL MARKET   SHEET NUMBER: 1 OF 2						
▽ = 0	GENERAL TOLERANCES (UNLESS SPECIFIED)								
▽ = 0	ANGULAR TOL ± 0.5°								
▽ = 0	4 PLACES ±								
▽ = 0	3 PLACES ±								
▽ = 0	2 PLACES ± 0.18		EC NO: 610884		2018/12/10				
▽ = 0	1 PLACE ± 0.33		DRWN: TTAO03		2019/02/01				
⊠ = 0	0 PLACES ±		APPR: JKACHLIC		2019/02/01				
■ = 0	DRAFT WHERE APPLICABLE MUST REMAIN WITHIN DIMENSIONS		INITIAL REVISION:		DRWN: JRR		95/08/14		
▽ = 0	THIRD ANGLE PROJECTION		APPR: CAB		95/08/14				
	DRAWING		SERIES		C-SIZE		71742		

MATERIAL NUMBER	PEGS	PICK & PLACE CAP	PACKAGING SPEC. NUMBER	PACKAGING TYPE	TERMINAL PLATING SEE SHEET 1
71742-0006	YES	YES	PK-70873-063	TAPE & REEL	X21
71742-0005	NO	YES	PK-70873-063	TAPE & REEL	X21
71742-0004	YES	NO	PK-70873-013	TUBE	X71
71742-0003	YES	YES	PK-70873-063	TAPE & REEL	X71
71742-0002	NO	NO	PK-70873-015	TUBE	X71
71742-0001	NO	YES	PK-70873-063	TAPE & REEL	X71

RECOMMENDED PLUG/RECEPTACLE COMBINATION FOR  
MATED STACK HEIGHT PER EIA STANDARD 700 AAAB

MATED STACK HEIGHT	RECEPTACLE HEIGHT	RECEPTACLE SERIES NO.	PLUG HEIGHT	PLUG SERIES NO.
8.00	5.30	71742-0***	2.30	71741-2***
10.00	5.30	71742-0***	4.30	71741-0***



THIS DRAWING CONTAINS INFORMATION THAT IS PROPRIETARY TO MOLEX ELECTRONIC TECHNOLOGIES, LLC AND SHOULD NOT BE USED WITHOUT WRITTEN PERMISSION											
SYMBOLS		DIMENSION UNITS		SCALE		CURRENT REV		DESC: REDRAWN IN NX			
▽ = 0	mm										
▽ = 0	GENERAL TOLERANCES (UNLESS SPECIFIED)										
▽ = 0	ANGULAR TOL ± 0.5°										
▽ = 0	4 PLACES ±										
▽ = 0	3 PLACES ±										
▽ = 0	2 PLACES ± 0.18										
▽ = 0	1 PLACE ± 0.33										
▽ = 0	0 PLACES ±										
▽ = 0	DRAFT WHERE APPLICABLE MUST REMAIN WITHIN DIMENSIONS		THIRD ANGLE PROJECTION		DRAWING		SERIES				
				C-SIZE		71742					
DOCUMENT STATUS				P1		RELEASE DATE		2019/02/01 01:16:48			

**molex**

SALES ASSY, 1.0MM 84 CKT BTB  
RECEPTACLE CONNECTOR 5.30 STACK HEIGHT

PRODUCT CUSTOMER DRAWING

DOCUMENT NUMBER: **717420000**

DOC TYPE: PSD | DOC PART: 000 | REVISION: A1

MATERIAL NUMBER: SEE TABLE | CUSTOMER: GENERAL MARKET | SHEET NUMBER: 2 OF 2

EC NO: 610884

DRWN: TTAO03 2018/12/10

CHK'D: JKACHLIC 2019/02/01

APPR: JKACHLIC 2019/02/01

INITIAL REVISION:

DRWN: JRR 95/08/14

APPR: CAB 95/08/14