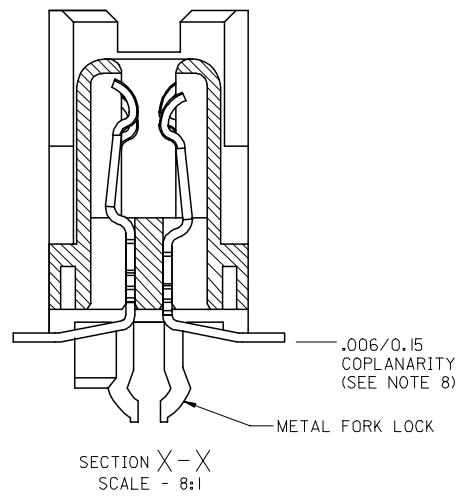
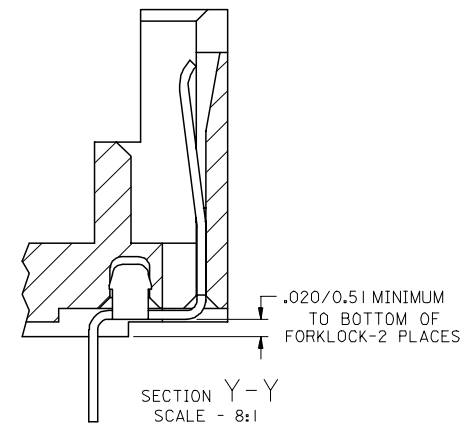
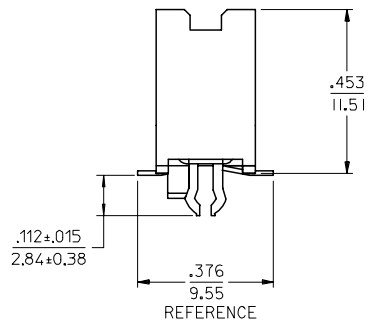
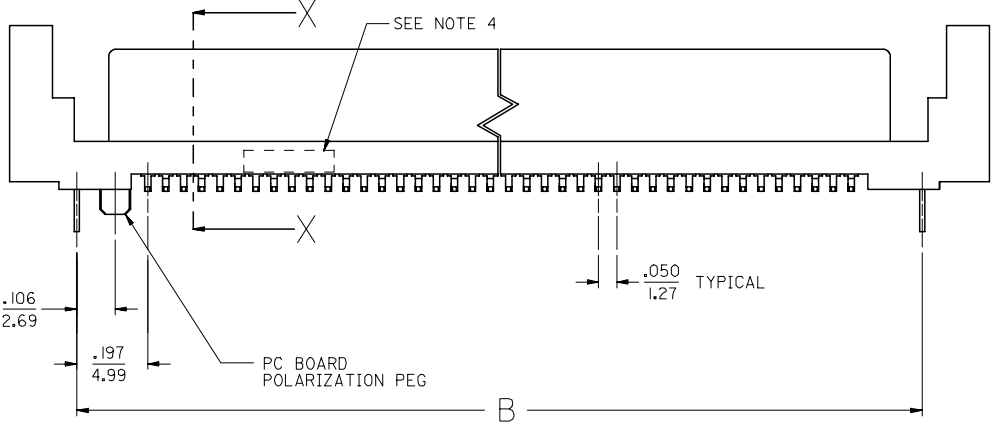
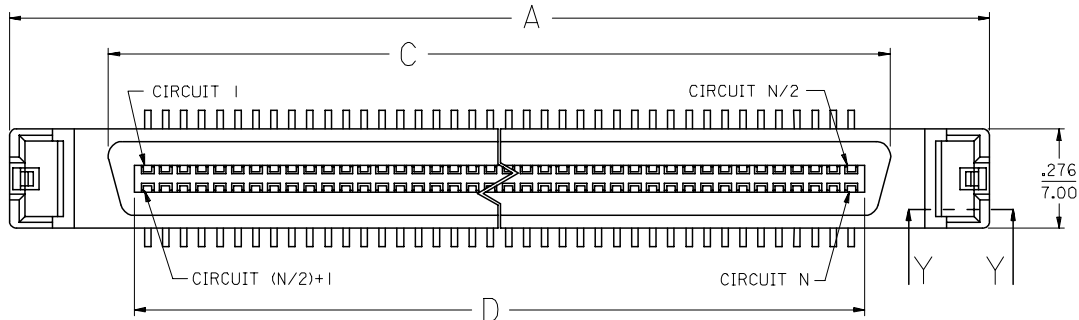


13 12 11 10 9 8 7 6 5 4 3 2 1

J  
I  
H  
G  
F  
E  
D  
C  
B  
A

- NOTES:
- MATERIAL:  
HOUSING: 1.R. COMPATIBLE POLYMER, GLASS FILLED, UL 94 V 0, BLACK  
TERMINALS: COPPER ALLOY  
BOARDLOCK: COPPER ALLOY
  - FINISH:  
TERMINALS: 30 MICROINCHES / 0.76 MICROMETERS GOLD IN CONTACT AREA  
100 MICROINCHES / 2.54 MICROMETERS TIN IN TAIL AREA  
NICKEL UNDERPLATE OVERALL.  
ESD BOARDLOCK: TIN OVER NICKEL OVERALL.
  - PRODUCT SPECIFICATION: PS-73826-0000
  - FOUR DIGIT DATE CODE IN THIS LOCATION (WK YR).
  - CONTACT GAP WILL ACCOMMODATE MATING CONNECTOR OF:  
.063+/-0.003 / 1.60+/-0.08
  - PACKAGE PER SPECIFICATION PK-70873-5025.
  - CIRCUIT NUMBERS 1,36 THRU 43, 45, 46, AND 75 THRU 80, ARE ADVANCED (LONG) TERMINALS FOR SEQUENTIAL MATING.
  - COPLANARITY TO BE MEASURED USING FIXTURE # 71743-9001 OR EQUIVALENT. MEASUREMENT TO BE TAKEN AT 50X MAGNIFICATION. COPLANARITY IS THE DISTANCE BETWEEN THE SEATING PLANE AND THE LOWEST POINT ON THE SMT TAIL THAT IS FARTHEST AWAY FROM THE SEATING PLANE. FIXTURING TO BE SUCH THAT ALL TAILS ARE OVER THE SEATING PLANE.



INITIAL RELEASE FC NO: UCP2005-2461 DRAWN BY: DRWNBARKER 2005/05/19 CHKD BY: CHKDHSMART 2005/05/19 APPR: SMILLER 2005/05/24	QUALITY SYMBOLS ▽=0 ▽=0
---	-------------------------------

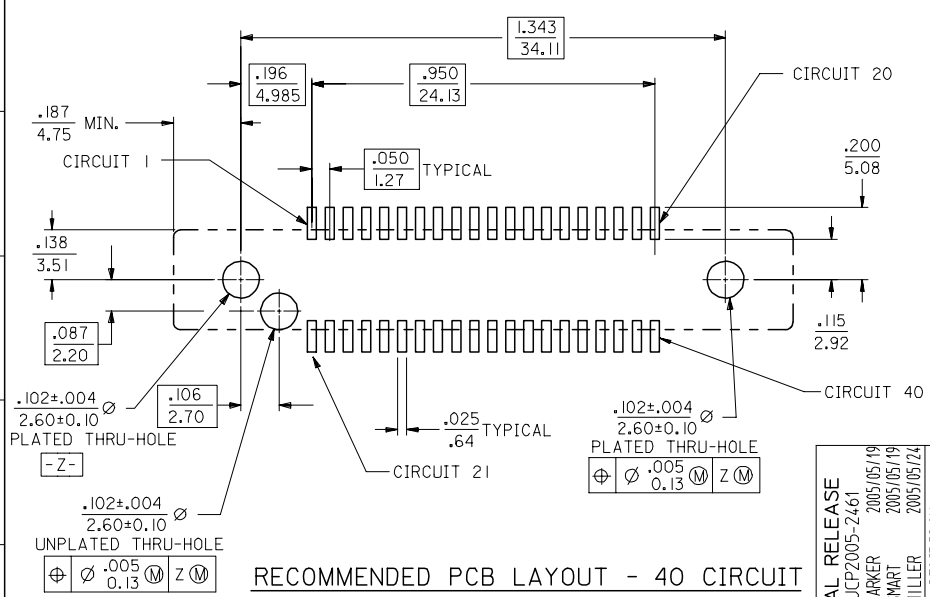
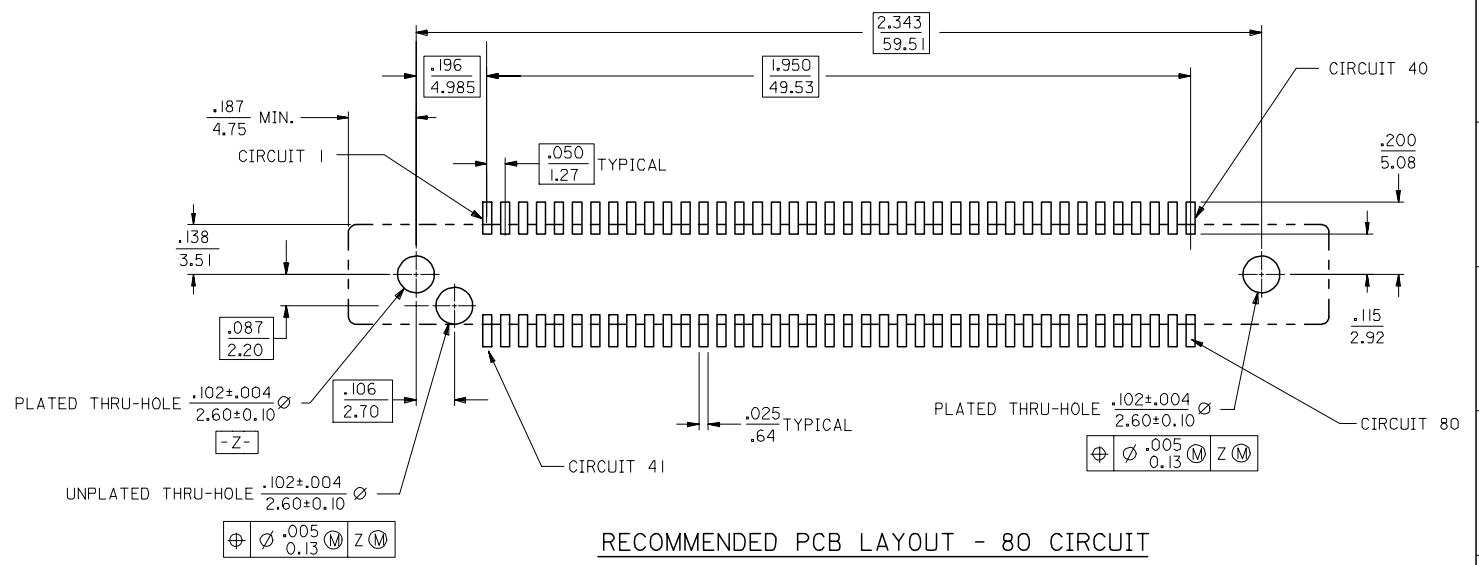
GENERAL TOLERANCES (UNLESS SPECIFIED)	
mm	INCH
4 PLACES ± .005	± .005
3 PLACES ± .010	± .010
2 PLACES ± 0.13	± .010
1 PLACE ± 0.25	± .010
ANGULAR ±1/2°	

DRAWN BY: BBARKER	DATE: 05/04/25
CHECKED BY: BSMART	DATE: 05/04/25
APPROVED BY: SMILLER	DATE: 05/04/25
MATERIAL NO.	DOCUMENT NO.

SCALE: 1:1	DESIGN UNITS: INCH	THIRD ANGLE PROJECTION
TITLE: SALES DRAWING - ASSEMBLY EBBV VERTICAL RECEPTACLE SMT SCA-2 CONNECTOR		
MOLEX INCORPORATED		
SEE CHART	SD-71743-005	SHEET NO. 1 OF 2

12 11 10 9 8 7 6 5 4 3 2 1

13	12	11	10	9	8	7	6	5	4	3	2	1
MATERIAL NUMBER		CIRCUIT SIZE	DIMENSION A	DIMENSION B	DIMENSION C	DIMENSION D	ADVANCED TERMINALS / CIRCUITS (SECTION Z-Z, SHEET 1)					
71743-4180		80	2.717/69.01	2.343/59.51	2.168/55.07	2.025/51.44	1, 36, 37, 38, 39, 40, 41, 42, 43, 45, 46, 75, 76, 77, 78, 79, 80					
71743-4140		40	1.717/43.61	1.343/34.11	1.168/29.67	1.025/26.04	21, 22, 23, 26, 29, 32, 35, 36, 37, 38, 39, 40					



INITIAL RELEASE FC NO: UCP2005-2461 DRAWN BY: BBARKER 2005/05/19 CHECKED BY: CHKDHSBART 2005/05/19 APPR: SMILLER 2005/05/24 REV: A	QUALITY SYMBOLS 	GENERAL TOLERANCES (UNLESS SPECIFIED)		DIMENSION STYLE		SCALE	DESIGN UNITS	THIRD ANGLE PROJECTION			
				IN/MM		4:1	INCH				
		4 PLACES ± ---	± ---	mm	INCH	DRAWN BY	DATE	TITLE			
		3 PLACES ± ---	± .010			BBARKER	05/04/25	SALES DRAWING - ASSEMBLY			
2 PLACES ± 0.25	± ---			CHECKED BY	DATE	EBBI VERTICAL RECEPTACLE					
1 PLACE ± ---	± ---			BSMART	05/04/25	SMT SCA-2 CONNECTOR					
ANGULAR ±1/2°				APPROVED BY	DATE	molex		MOLEX INCORPORATED			
				SMILLER	05/04/25	DOCUMENT NO.		SHEET NO.			
DRAFT WHERE APPLICABLE MUST REMAIN WITHIN DIMENSIONS		SEE CHART		SD-71743-005		2 OF 2					
THIS DRAWING CONTAINS INFORMATION THAT IS PROPRIETARY TO MOLEX INCORPORATED AND SHOULD NOT BE USED WITHOUT WRITTEN PERMISSION											