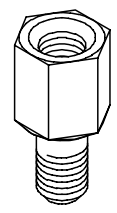
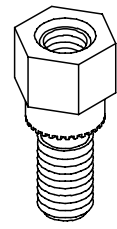
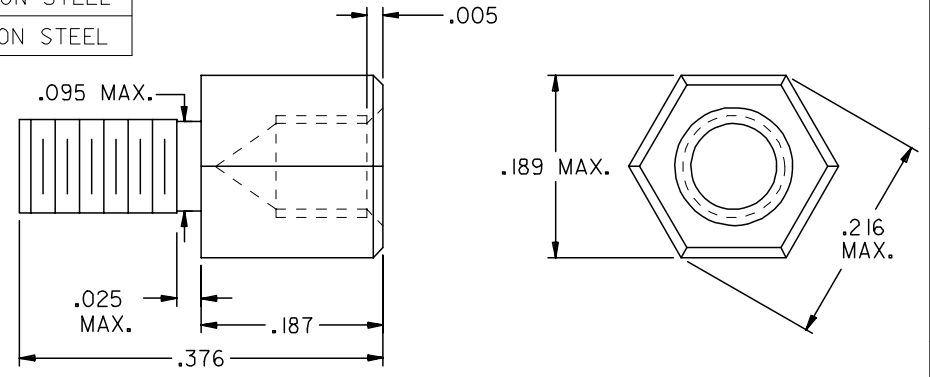


ITEM #	INTERNAL THREAD	EXTERNAL THREAD	FINISH	MATERIAL
71781-0001	#4-40 UNC-2B	#4-40 UNC-2A	NICKEL	LOW CARBON STEEL
71781-0002	#4-40 UNC-2B	#4-40 UNC-2A	CLEAR TRIVALENT CHROMATE	LOW CARBON STEEL

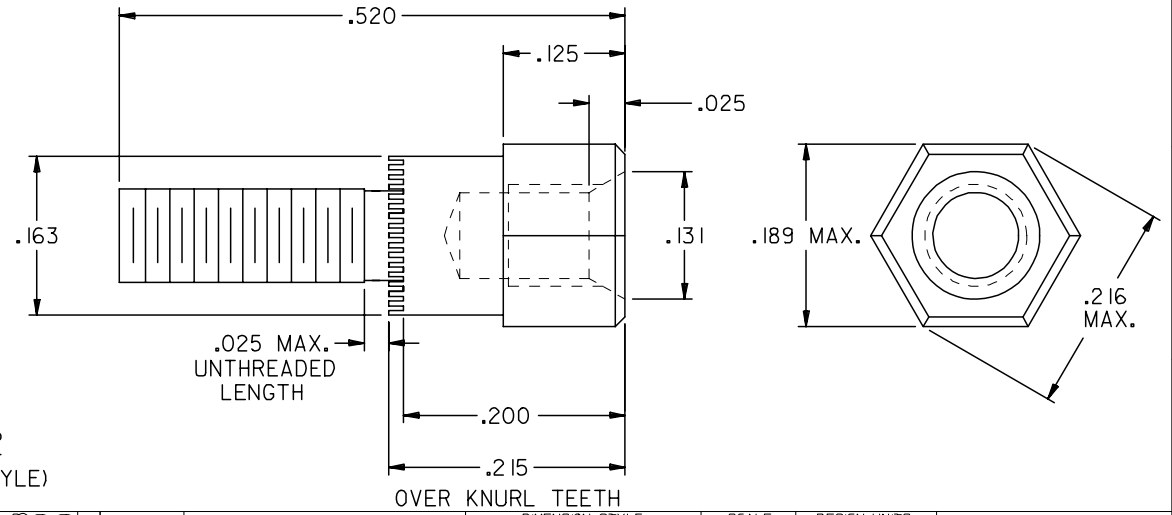
NOTE:
PARTS TO BE BULK PACKAGED
IN BAGS OF 1,000.



71781-0001



71781-0002
(SELF CLINCHING STYLE)



MODIFY FINISH	DESCRIPTION
EC NO: UCP2007-1271	2007/01/18
DRWN:MSIBARRA	2007/01/29
CHKD:MORGAN	2007/01/30
APPR:SMILLER	

QUALITY SYMBOLS
▽=0
▽=0

GENERAL TOLERANCES (UNLESS SPECIFIED)	
	INCH
4 PLACES	± .005
3 PLACES	± .005
2 PLACES	± .005
1 PLACE	± .005
ANGULAR ±1/2°	

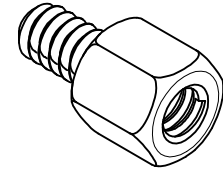
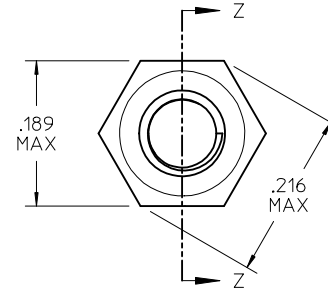
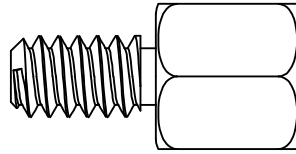
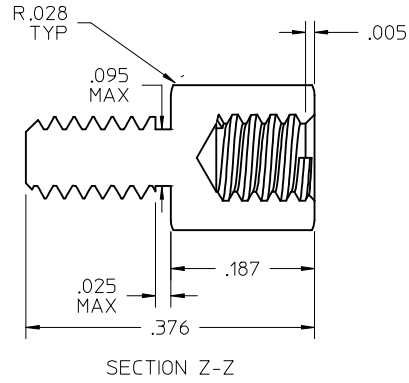
DIMENSION STYLE INCH ONLY	
DRAWN BY	DATE
MOS	95/10/23
CHECKED BY	DATE
PAM	95/10/23
APPROVED BY	DATE
JWN	95/10/23
MATERIAL NO.	
SEE TABLE	

SCALE	DESIGN UNITS	THIRD ANGLE PROJECTION
8:1	INCH	
TITLE		
3/16 HEXAGONAL JACKPOST INT/EXT #4-40 THREAD FOR USE WITH EVC		
MOLEX INCORPORATED		
MATERIAL NO.	DOCUMENT NO.	SHEET NO.
	SD-71781-****	1 OF 1

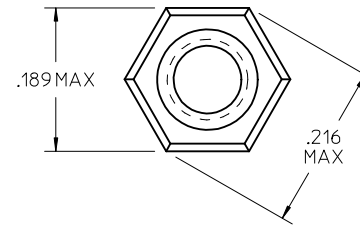
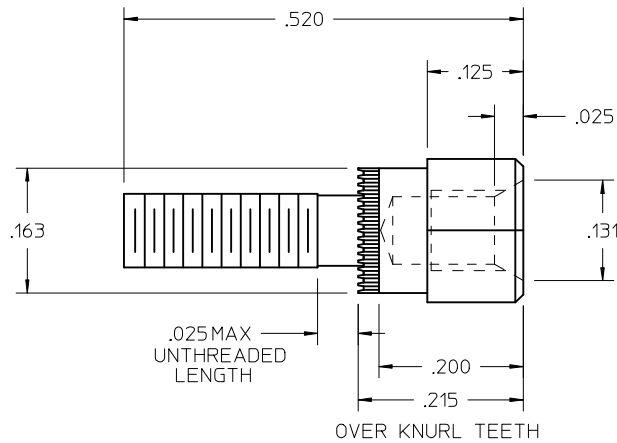
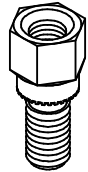
DRAFT WHERE APPLICABLE MUST REMAIN WITHIN DIMENSIONS

ITEM NUMBER	INTERNAL THREAD	EXTERNAL THREAD	MATERIAL
71781-1000	#4-40 UNC-2B	#4-40 UNC-2A	STAINLESS STEEL 303
71781-2000	#4-40 UNC-2B	#4-40 UNC-2A	STAINLESS STEEL 303

NOTES:
1. PARTS TO BE BULK PACKAGED IN BAGS OF 1,000.



71781-1000



71781-2000
(SELF CLINCHING STYLE)

MANAGE VIEWS EC NO: UCP2015-3736 DRW: TIBARRA 2015/03/12 CHK: MCAIN 2015/05/05 APPR: MILLER 2015/05/13	QUALITY SYMBOLS 	GENERAL TOLERANCES (UNLESS SPECIFIED)		DIMENSION STYLE INCH ONLY		SCALE 8:1	DESIGN UNITS INCH	THIRD ANGLE PROJECTION		
		4 PLACES ± --- ± ---	mm	INCH	DRAWN BY TIBARRA	DATE 2014/08/01	TITLE 3/16 HEX JACKPOSTS INT/EXT #4-40 THREAD			
		3 PLACES ± --- ± .005			CHECKED BY MPOFF	DATE 2014/08/29				
		2 PLACES ± --- ± ---			APPROVED BY SMILLER	DATE 2014/09/04				
1 PLACE ± --- ± ---			MATERIAL NO. SEE TABLE		DOCUMENT NO. SD-71781-1000	SHEET NO. 1 OF 1				
0 PLACE ± ±			ANGULAR ±1/2°		THIS DRAWING CONTAINS INFORMATION THAT IS PROPRIETARY TO MOLEX INCORPORATED AND SHOULD NOT BE USED WITHOUT WRITTEN PERMISSION					
REVISIONS B		DRAFT WHERE APPLICABLE MUST REMAIN WITHIN DIMENSIONS		SIZE C						