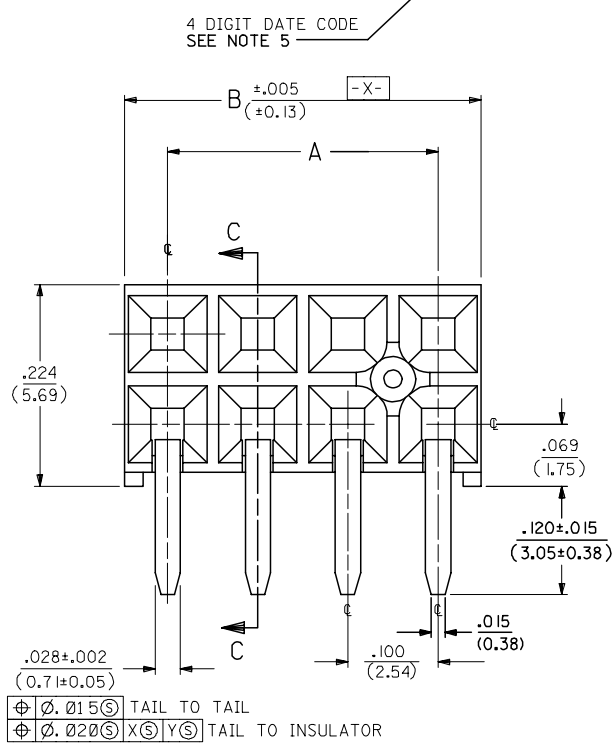
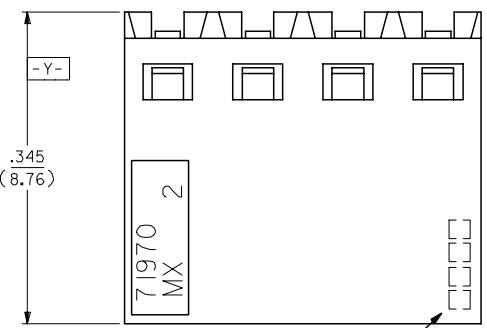


NOTES:

- 1.) MATERIAL-
INSULATOR - LCP, UL 94V-0, COLOR BLACK
CONTACTS - PHOSPHOR BRONZE
- 2.) SEE SHT. 5 & 6 FOR CHART DIMENSIONS AND EDP NO.'S
- 3.) RECOMMENDED MATING PIN LENGTH:
LOWER ROW - .200' MIN., .285' MAX.
UPPER ROW - .200' MIN.
- 4.) REFER TO PRODUCT SPECIFICATION PS-71973-9999 FOR PERFORMANCE DATA
- 5.) MANUFACTURED DATE CODE - YEAR, WEEK.
- 6.) PACKAGING: FOR THIS PRODUCT IN TUBES SEE SHT. 6 & 7
FOR THIS PRODUCT IN TRAYS SEE SHT. 8 & 9

FINISHES

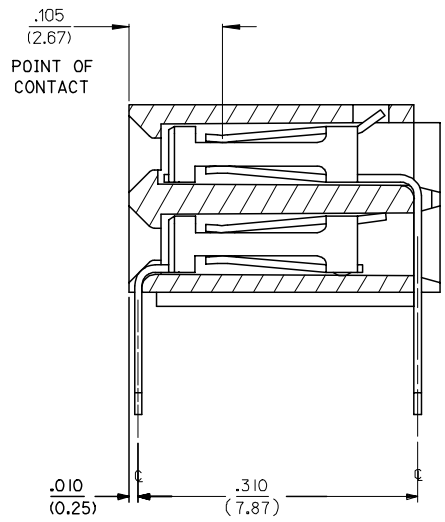
- 15 GOLD .000015 MINIMUM GOLD PLATE IN SELECT AREA OVER
.000050 MINIMUM NICKEL UNDERPLATE OVER-ALL WITH
.000075 MINIMUM TIN PLATE IN SELECT AREA.
- 30 GOLD .000030 MINIMUM GOLD PLATE IN SELECT AREA OVER
.000050 MINIMUM NICKEL UNDERPLATE OVER-ALL WITH
.000075 MINIMUM TIN PLATE IN SELECT AREA.
- 50 GOLD .000050 MINIMUM GOLD PLATE IN SELECT AREA OVER
.000050 MINIMUM NICKEL UNDERPLATE OVER-ALL WITH
.000100 MINIMUM TIN PLATE IN SELECT AREA.



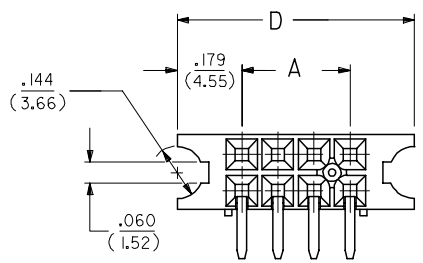
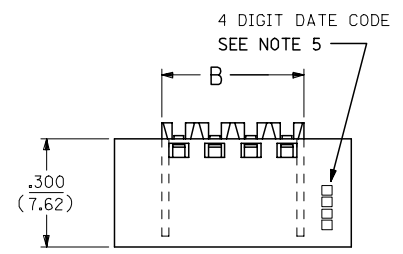
⊕ ∅.015 ⊕ TAIL TO TAIL
⊕ ∅.020 ⊕ X ⊕ Y ⊕ TAIL TO INSULATOR

OPTION "A" ASSEMBLY
STANDARD HOUSING

NOTE FOR LEAD FREE CONVERSION:
THE PRIMARY SHIPPING CARTON WILL BE LABELED *COMPLIANT TO ROHS DIRECTIVE 2002/95/EC AND ELV ANNEX II OF DIRECTIVE 2000/53/EC*. CARTONS WITHOUT THIS LABEL MAY CONTAIN PRODUCT WITH LEAD.



SECTION C-C



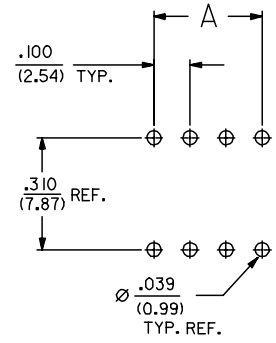
OPTION "B" ASSEMBLY

STD. HOUSING W/MOUNTING EARS
SCALE 4:1

REFER TO OPT. A FOR ALL OTHER INFORMATION

OPTION "J" ASSEMBLY

OPTION "J" IS THE SAME AS OPTION "B" EXCEPT DATE CODE IS NOT STAMPED ON HOUSING.



RECOMMENDED P.C.B. LAYOUT

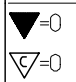
| | | | |
|-----|-----|-----|-----|
| 22 | J | 11 | J |
| 21 | J | 10 | J |
| 20 | J | 9 | J |
| 19 | J | 8 | J |
| 18 | J | 7 | J |
| 17 | J | 6 | J |
| 16 | J | 5 | I |
| 15 | J | 4 | I |
| 14 | J | 3 | I |
| 13 | J | 2 | I |
| 12 | J | 1 | J |
| SHT | REV | SHT | REV |

| | | | | | | | |
|---|-------------------------------|--|--|---|---|--------------------------------|-------------------|
| FC NO: UCP2007-0113 DRAWN: JORGAN 2006/08/07 CHK'D: MS BARBA 2006/08/16 APPR: SMILLER 2006/08/18 REV: | QUALITY SYMBOLS ▽ = ▽ = | GENERAL TOLERANCES (UNLESS SPECIFIED) mm INCH 4 PLACES ± --- ± --- 3 PLACES ± --- ± .010 2 PLACES ± 0.25 ± --- 1 PLACE ± --- ± --- ANGULAR ±1/2° | DIMENSION STYLE IN/MM DRAWN BY DATE DJB 1991/10/21 CHECKED BY DATE DJB 1991/10/21 APPROVED BY DATE MJM 1991/10/21 MATERIAL NO. | SCALE 10:1 DESIGN UNITS INCH THIRD ANGLE PROJECTION | TITLE EARLY ENTRY R/A RECT .120PC TAIL W/O LOWER ROW PINSTOP-.100 GRID MOLEX INCORPORATED | DOCUMENT NO. SDA-71973-**** | SHEET NO. 1 OF |
| | | DRAFT WHERE APPLICABLE MUST REMAIN WITHIN DIMENSIONS | THIS DRAWING CONTAINS INFORMATION THAT IS PROPRIETARY TO MOLEX INCORPORATED AND SHOULD NOT BE USED WITHOUT WRITTEN PERMISSION | | | | |

| NO. OF CKTS | | OPTION A ASSEMBLY PACKAGED IN TUBES PER PK-70873-0138 (SEE SHEET 1 FOR FINISH SPECIFICATIONS) | | | | | DIMENSION | | NO. OF CKTS | | OPTION A ASSEMBLY PACKAGED IN TUBES PER PK-70873-0138 (SEE SHEET 1 FOR FINISH SPECIFICATIONS) | | | | | DIMENSION | |
|-------------|-------|---|--|------------|------------|------------|------------------|------------------|-------------|-------|---|--|------------|------------|------------|------------------|------------------|
| PER ROW | TOTAL | 15 GOLD | | | 30 GOLD | 50 GOLD | A | B | PER ROW | TOTAL | 15 GOLD | | | 30 GOLD | 50 GOLD | A | B |
| 4 | 8 | | | 71973-0204 | 71973-0304 | 71973-0404 | .300 (7.62) | .395 (10.03) | 34 | 68 | | | 71973-0234 | 71973-0334 | 71973-0434 | 3.300 (83.82) | 3.395 (86.23) |
| 5 | 10 | | | 71973-0205 | 71973-0305 | 71973-0405 | .400 (10.16) | .495 (12.57) | 35 | 70 | | | 71973-0235 | 71973-0335 | 71973-0435 | 3.400 (86.36) | 3.495 (88.77) |
| 6 | 12 | | | 71973-0206 | 71973-0306 | 71973-0406 | .500 (12.70) | .595 (15.11) | 36 | 72 | | | 71973-0236 | 71973-0336 | 71973-0436 | 3.500 (88.90) | 3.595 (91.31) |
| 7 | 14 | | | 71973-0207 | 71973-0307 | 71973-0407 | .600 (15.24) | .695 (17.65) | | | | | | | | | |
| 8 | 16 | | | 71973-0208 | 71973-0308 | 71973-0408 | .700 (17.78) | .795 (20.19) | | | | | | | | | |
| 9 | 18 | | | 71973-0209 | 71973-0309 | 71973-0409 | .800 (20.32) | .895 (22.73) | | | | | | | | | |
| 10 | 20 | | | 71973-0210 | 71973-0310 | 71973-0410 | .900 (22.86) | .995 (25.27) | | | | | | | | | |
| 11 | 22 | | | 71973-0211 | 71973-0311 | 71973-0411 | 1.000 (25.40) | 1.095 (27.81) | | | | | | | | | |
| 12 | 24 | | | 71973-0212 | 71973-0312 | 71973-0412 | 1.100 (27.94) | 1.195 (30.35) | | | | | | | | | |
| 13 | 26 | | | 71973-0213 | 71973-0313 | 71973-0413 | 1.200 (30.48) | 1.295 (32.89) | | | | | | | | | |
| 14 | 28 | | | 71973-0214 | 71973-0314 | 71973-0414 | 1.300 (33.02) | 1.395 (35.43) | | | | | | | | | |
| 15 | 30 | | | 71973-0215 | 71973-0315 | 71973-0415 | 1.400 (35.56) | 1.495 (37.97) | | | | | | | | | |
| 16 | 32 | | | 71973-0216 | 71973-0316 | 71973-0416 | 1.500 (38.10) | 1.595 (40.51) | | | | | | | | | |
| 17 | 34 | | | 71973-0217 | 71973-0317 | 71973-0417 | 1.600 (40.64) | 1.695 (43.05) | | | | | | | | | |
| 18 | 36 | | | 71973-0218 | 71973-0318 | 71973-0418 | 1.700 (43.18) | 1.795 (45.59) | | | | | | | | | |
| 19 | 38 | | | 71973-0219 | 71973-0319 | 71973-0419 | 1.800 (45.72) | 1.895 (48.13) | | | | | | | | | |
| 20 | 40 | | | 71973-0220 | 71973-0320 | 71973-0420 | 1.900 (48.26) | 1.995 (50.67) | | | | | | | | | |
| 21 | 42 | | | 71973-0221 | 71973-0321 | 71973-0421 | 2.000 (50.80) | 2.095 (53.21) | | | | | | | | | |
| 22 | 44 | | | 71973-0222 | 71973-0322 | 71973-0422 | 2.100 (53.34) | 2.195 (55.75) | | | | | | | | | |
| 23 | 46 | | | 71973-0223 | 71973-0323 | 71973-0423 | 2.200 (55.88) | 2.295 (58.29) | | | | | | | | | |
| 24 | 48 | | | 71973-0224 | 71973-0324 | 71973-0424 | 2.300 (58.42) | 2.395 (60.83) | | | | | | | | | |
| 25 | 50 | | | 71973-0225 | 71973-0325 | 71973-0425 | 2.400 (60.96) | 2.495 (63.37) | | | | | | | | | |
| 26 | 52 | | | 71973-0226 | 71973-0326 | 71973-0426 | 2.500 (63.50) | 2.595 (65.91) | | | | | | | | | |
| 27 | 54 | | | 71973-0227 | 71973-0327 | 71973-0427 | 2.600 (66.04) | 2.695 (68.45) | | | | | | | | | |
| 28 | 56 | | | 71973-0228 | 71973-0328 | 71973-0428 | 2.700 (68.58) | 2.795 (70.99) | | | | | | | | | |
| 29 | 58 | | | 71973-0229 | 71973-0329 | 71973-0429 | 2.800 (71.12) | 2.895 (73.53) | | | | | | | | | |
| 30 | 60 | | | 71973-0230 | 71973-0330 | 71973-0430 | 2.900 (73.66) | 2.995 (76.07) | | | | | | | | | |
| 31 | 62 | | | 71973-0231 | 71973-0331 | 71973-0431 | 3.000 (76.20) | 3.095 (78.61) | | | | | | | | | |
| 32 | 64 | | | 71973-0232 | 71973-0332 | 71973-0432 | 3.100 (78.74) | 3.195 (81.15) | | | | | | | | | |
| 33 | 66 | | | 71973-0233 | 71973-0333 | 71973-0433 | 3.200 (81.28) | 3.295 (83.69) | | | | | | | | | |

"X" INDICATES TOOLING IS NOT AVAILABLE

REMOVE 74-130 CKT
 EC NO: UCP2007-0113
 DRAWN: JORGAN 2006/08/07
 CHKD: MS BARRA 2006/08/16
 APPR: SMILLER 2006/08/18

QUALITY SYMBOLS


GENERAL TOLERANCES (UNLESS SPECIFIED)

| | mm | INCH |
|----------|--------|---------|
| 4 PLACES | ± .005 | ± .0004 |
| 3 PLACES | ± .004 | ± .0003 |
| 2 PLACES | ± .003 | ± .0002 |
| 1 PLACE | ± .002 | ± .0001 |

ANGULAR ±1/2°

DRAFT WHERE APPLICABLE MUST REMAIN WITHIN DIMENSIONS

DIMENSION STYLE IN/MM

DRAWN BY DATE
 DJB 1991/10/21

CHECKED BY DATE

APPROVED BY DATE

MATERIAL NO.

SIZE C

SCALE ---

DESIGN UNITS INCH

THIRD ANGLE PROJECTION

TITLE
 RECEPTACLE-RIGHT ANGLE
 .120 PC TAIL, NO PINSTOP
 .100/(2.54) GRID

Molex MOLEX INCORPORATED

DOCUMENT NO. SDA-71973-****

SHEET NO. 6 OF 22

THIS DRAWING CONTAINS INFORMATION THAT IS PROPRIETARY TO MOLEX INCORPORATED AND SHOULD NOT BE USED WITHOUT WRITTEN PERMISSION