

MATERIALS AND FINISHES:

COUPLING NUT ZINC ALLOY
PLATED NICKEL

BODY BRASS
PLATED NICKEL

INSULATOR TEFLON

CONTACT BRASS
PLATED GOLD

CRIMP TUBE BRASS
PLATED NICKEL

RETAINING RING BRASS
PLATED NICKEL

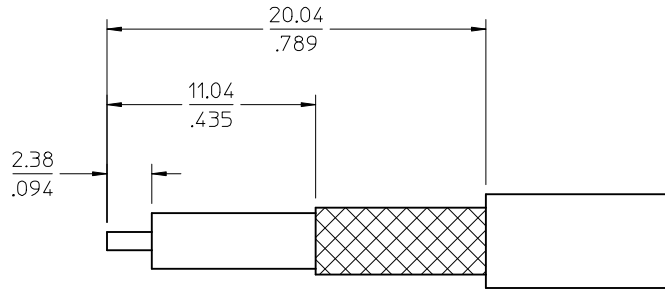
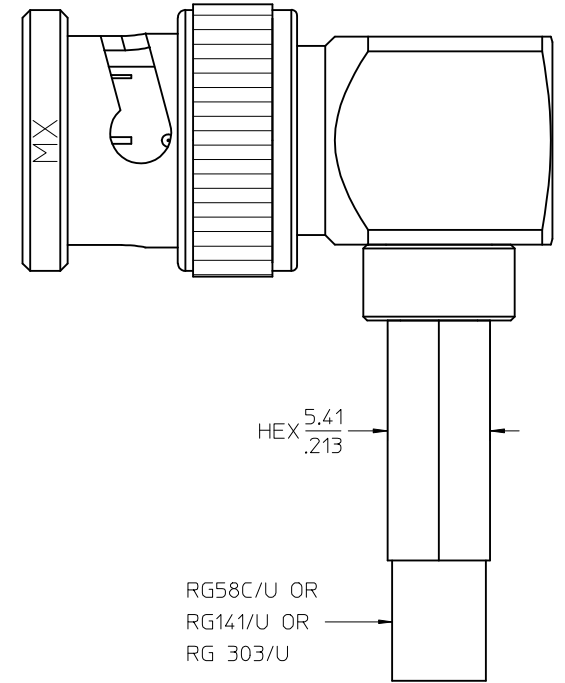
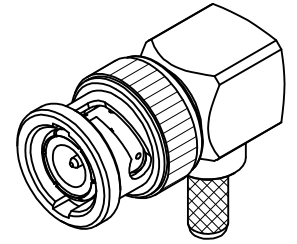
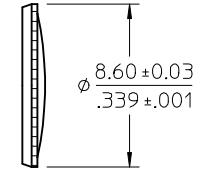
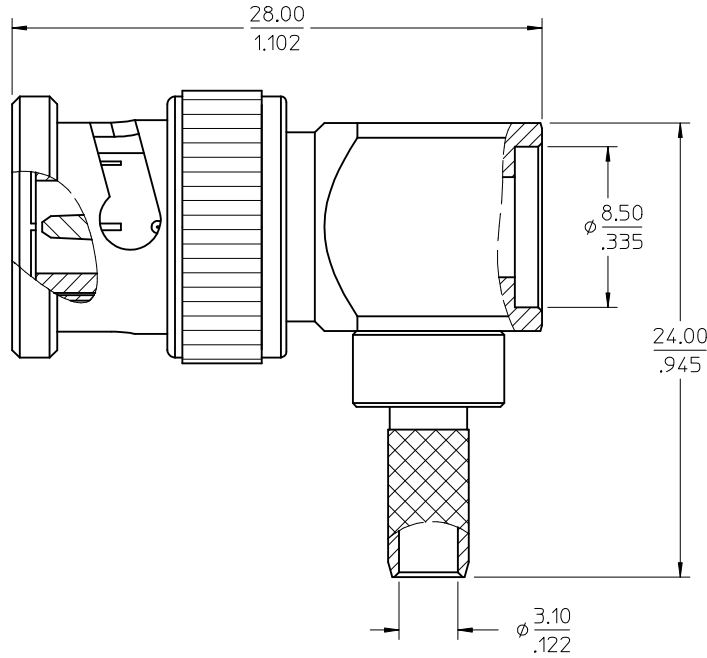
SPRING WASHER BERYLLIUM COPPER
PLATED NICKEL

WASHER BRASS
PLATED NICKEL

GASKET SILICONE RUBBER

COVER BRASS
PLATED NICKEL

PACKAGING: BY TRAY



RECOMMENDED CABLE STRIP DIMENSIONS

PART # 73100-0015

AS-73597-0010	ASSEMBLY INSTRUCTION
MIL-STD-348A, FIG. 301.1	INTERFACE
SPECIFICATION	DESCRIPTION

CHG: ADD PKG PER RF15-E279	EC NO: URF2016-0091	DRWNG: WE102	2015/08/06	CHKD:	APPR: YCHENG	2015/08/07	DESCRIPTION	QUALITY SYMBOLS
A2								▽=0 ▽=0 ▽=0

GENERAL TOLERANCES (UNLESS SPECIFIED)	
mm	INCH
4 PLACES ± .005	± .0002
3 PLACES ± .005	± .0002
2 PLACES ± .005	± .0002
1 PLACE ± .005	± .0002
0 PLACE ±	±
ANGULAR ± 2°	
DRAFT WHERE APPLICABLE MUST REMAIN WITHIN DIMENSIONS	

DIMENSION STYLE		SCALE	DESIGN UNITS	THIRD ANGLE PROJECTION
MM/IN			METRIC	
DRAWN BY	DATE	TITLE		
RYEH	2011/08/16	BNC PLUG R/A FOR RG58C/U, RG141/U, RG303/U BNC-P/CABLE		
CHECKED BY	DATE	molex		
KERRIE	2011/08/16			
APPROVED BY	DATE	MATERIAL NO.	DOCUMENT NO.	SHEET NO.
MHUANG	2011/08/25	731000015	SD-73100-0015	1 OF 1
THIS DRAWING CONTAINS INFORMATION THAT IS PROPRIETARY TO MOLEX INCORPORATED AND SHOULD NOT BE USED WITHOUT WRITTEN PERMISSION				