

**PLEASE CHECK WWW.MOLEX.COM FOR LATEST PART INFORMATION**

**Part Number:** [0731000070](#)

**Status:** **Active**

**Overview:** [bnc](#)

**Description:** BNC 75 Ohm, Right Angle PCB Bulkhead Jack Receptacle, Panel Isolated, Black PBT Housing, Housing Height 15.90mm, Nut and Lockwasher included

**Documents:**

[Drawing \(PDF\)](#)

[RoHS Certificate of Compliance \(PDF\)](#)

[Product Specification PS-73598-0051 \(PDF\)](#)

**General**

|                 |                       |
|-----------------|-----------------------|
| Product Family  | RF/Coax Connectors    |
| Series          | <a href="#">73100</a> |
| Comments        | 15.88mm Profile       |
| Overview        | <a href="#">bnc</a>   |
| Product Name    | BNC                   |
| Style           | PCB                   |
| Wire/Cable Type | N/A                   |

**Physical**

|                             |              |
|-----------------------------|--------------|
| Cable Attachment            | N/A          |
| Gender                      | Jack         |
| Keying to Mating Part       | None         |
| Orientation                 | Right Angle  |
| PCB Mounting                | Through Hole |
| PCB Thickness - Recommended | 3.20mm       |
| Packaging Type              | Tray         |
| Panel Mount                 | Yes          |
| Panel Mount Method          | Bulkhead     |
| Reverse Polar               | No           |

**Electrical**

|           |     |
|-----------|-----|
| Impedance | 75# |
|-----------|-----|

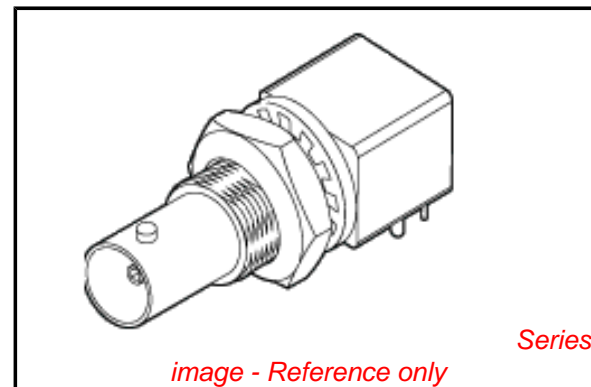
**Solder Process Data**

|  |                        |
|--|------------------------|
| Duration at Max. Process Temperature (seconds) | 10                     |
| Lead-free Process Capability                   | Wave Capable (TH only) |
| Max. Cycles at Max. Process Temperature        | 1                      |
| Process Temperature max. C                     | 260                    |

**Material Info**

**Reference - Drawing Numbers**

|                       |               |
|-----------------------|---------------|
| Product Specification | PS-73598-0051 |
| Sales Drawing         | SD-73100-0070 |



*image - Reference only*

**EU RoHS**

**RoHS Compliant RF Product**

**REACH SVHC**

**Contains SVHC: No**

**Low-Halogen Status**

**Not Reviewed**

**China RoHS**



**Need more information on product environmental compliance?**

Email [productcompliance@molex.com](mailto:productcompliance@molex.com)  
For a multiple part number RoHS Certificate of Compliance, [click here](#)

Please visit the [Contact Us](#) section for any non-product compliance questions.

**Search Parts in this Series**

[73100Series](#)