

**PLEASE CHECK WWW.MOLEX.COM FOR LATEST PART INFORMATION**

**Part Number:** [73100-0103](#)  
**Status:** **Active**  
**Overview:** SMB Subminiature RF Connectors  
**Description:** 50 Ohms, SMB Right-Angle PCB Jack Receptacle

**Documents:**

[Drawing \(PDF\)](#) [RoHS Certificate of Compliance \(PDF\)](#)  
[Product Specification PS-73598-0099 \(PDF\)](#)

**General**

Product Family	RF/Coax Connectors
Series	<a href="#">73100</a>
Overview	<u>SMB Subminiature RF Connectors</u>
Product Name	SMB
Style	PCB
UPC	800753686359
Wire/Cable Type	N/A

**Physical**

Gender	Jack
Keying to Mating Part	None
Net Weight	3.695/g
Orientation	Right Angle
PCB Mounting	Through Hole
PCB Thickness - Recommended	2.40mm
Packaging Type	Bag
Panel Mount	No
Panel Mount Method	N/A
Reverse Polar	No

**Electrical**

Impedance	50#
-----------	-----

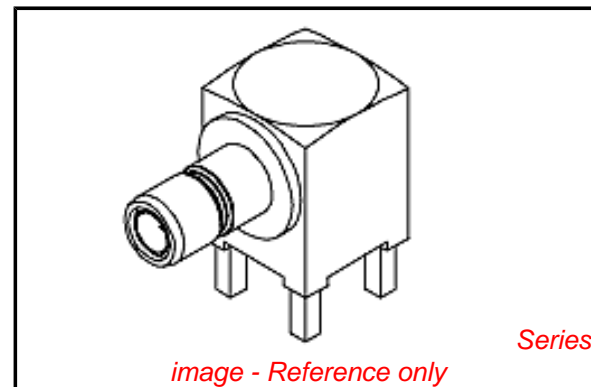
**Solder Process Data**

Duration at Max. Process Temperature (seconds)	5
Lead-free Process Capability	SMC & Wave Capable (TH only)
Max. Cycles at Max. Process Temperature	2
Process Temperature max. C	260

**Material Info**

**Reference - Drawing Numbers**

Product Specification	PS-73598-0099
Sales Drawing	SD-73100-0103



**EU RoHS**

**RoHS Compliant RF Product**

**REACH SVHC**

**Contains SVHC: No**

**Low-Halogen Status**

**Low-Halogen**

**China RoHS**



**Need more information on product environmental compliance?**

Email [productcompliance@molex.com](mailto:productcompliance@molex.com)  
 For a multiple part number RoHS Certificate of Compliance, [click here](#)

Please visit the [Contact Us](#) section for any non-product compliance questions.

**Search Parts in this Series**

[73100Series](#)