

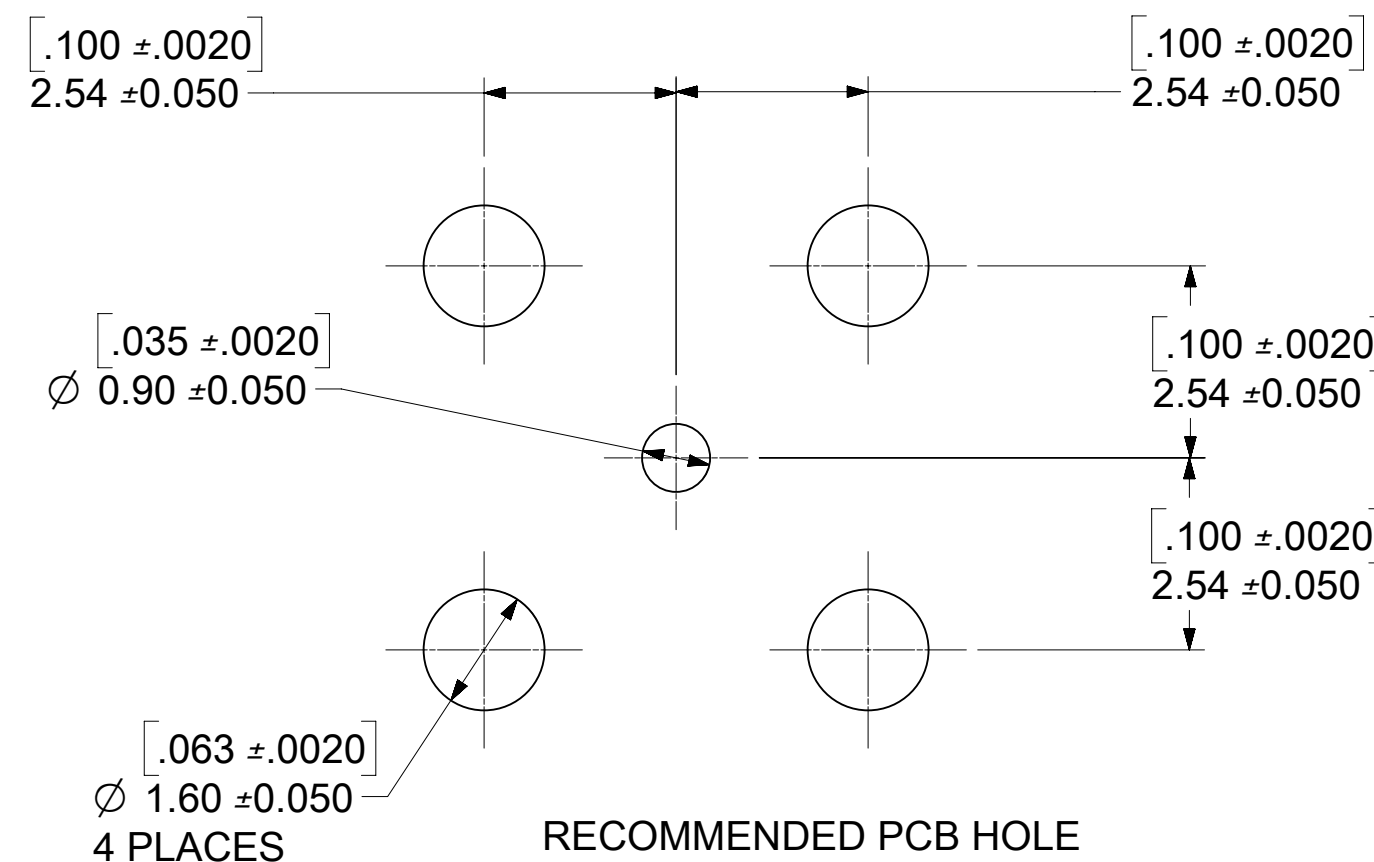
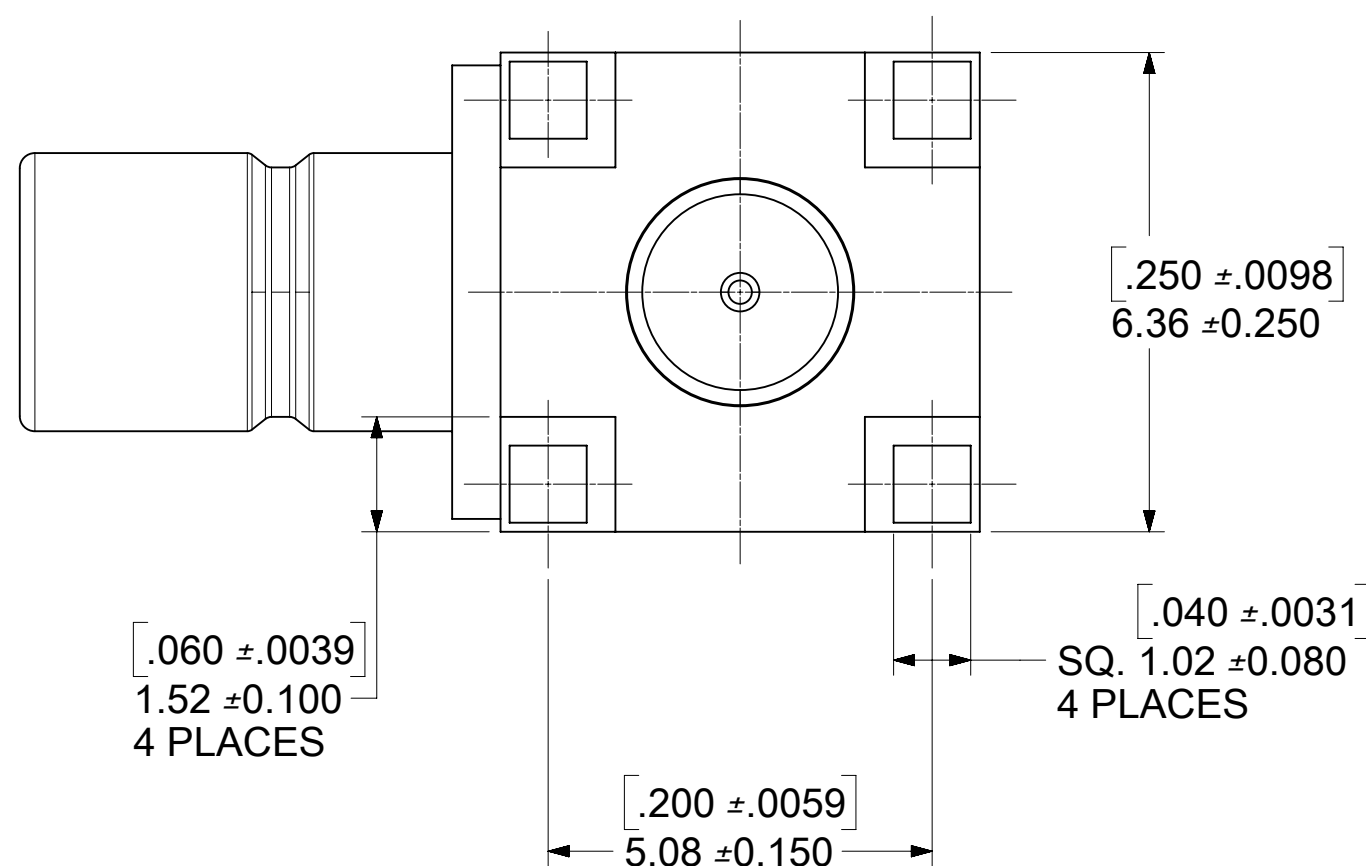
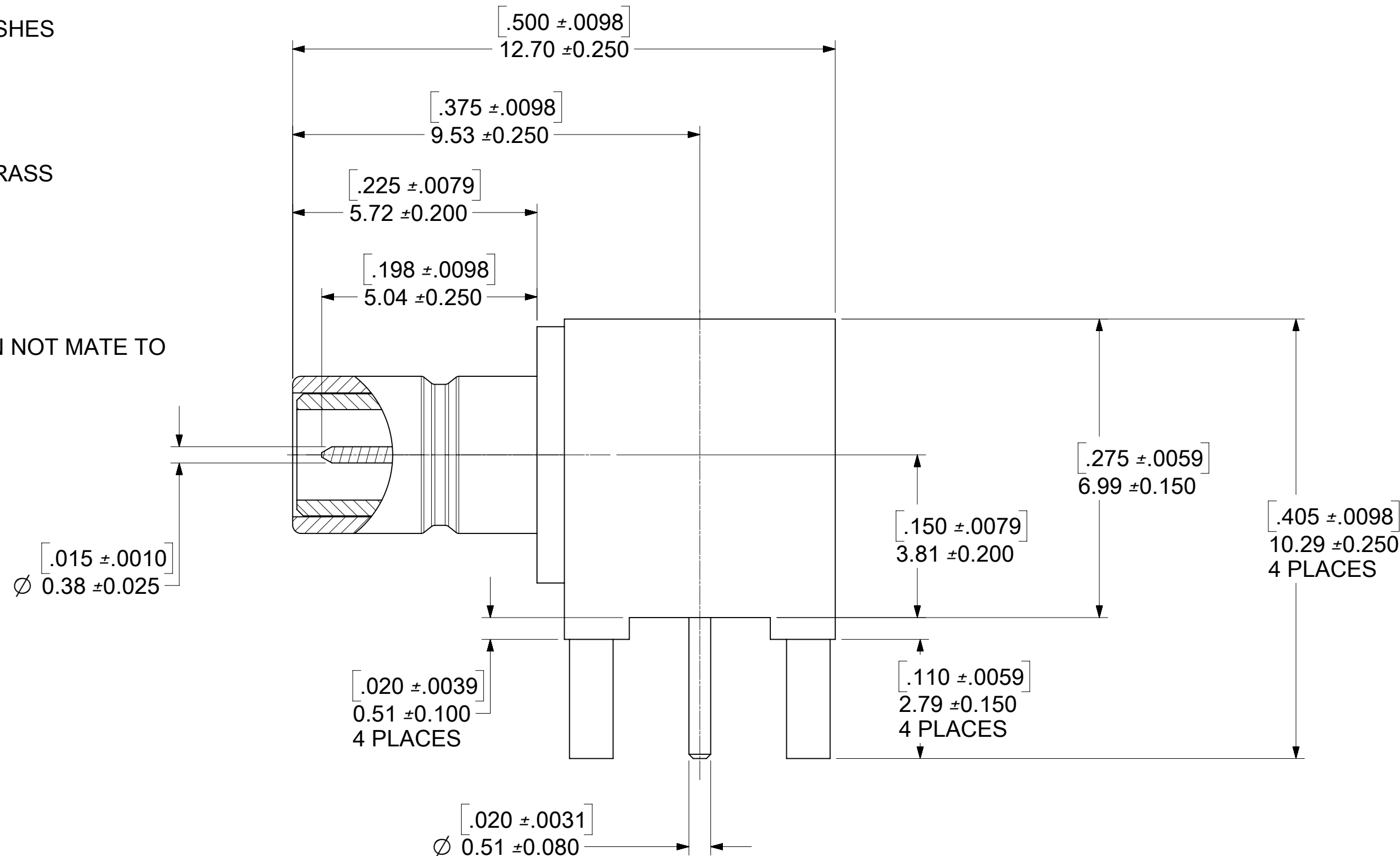
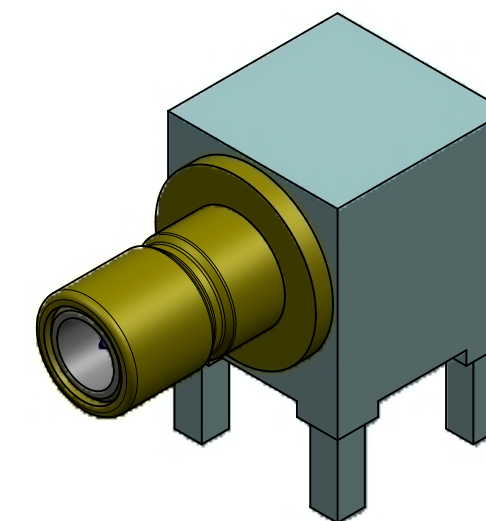
MATERIALS AND FINISHES

BODY BRASS  
PLATED GOLD

CENTER CONTACT BRASS  
PLATED GOLD

INSULATOR TEFLON

NOTES:  
1. SPECIAL SMB CAN NOT MATE TO  
STANDARD SMB



73404-2330	73100-0259, ONE PER BAG
73100-0259	TRAY
PART NO.	PACKAGING

PS-73598-0104	ELECTRO/MECH. PERFORM.
SPECIFICATION	DESCRIPTION

2018/03/30	B3	CHANGE TITLE AND ADDED NOTES PER 11900
2017/11/07	B2	ADDED TOLERANCE PER RF17-E129
2007/05/01	B1	REDREW IN SD ADDED 73404-2330
DATE	REV.	DESCRIPTION

DOCUMENT STATUS	P1	RELEASE DATE	2018/05/03 08:38:03
-----------------	----	--------------	---------------------

THIS DRAWING CONTAINS INFORMATION THAT IS PROPRIETARY TO MOLEX ELECTRONIC TECHNOLOGIES, LLC AND SHOULD NOT BE USED WITHOUT WRITTEN PERMISSION									
DIMENSION UNITS	SCALE	CURRENT REV DESC:							
HYBRID	1:1	EC NO: 174450 DRWN: ELIN 2018/03/30 CHK'D: YCHENG 2018/05/03 APPR: YCHENG 2018/05/03 INITIAL REVISION: DRWN: TFLAHERTY 2007/05/01 APPR: GHUBBARD 1993/07/20							
GENERAL TOLERANCES (UNLESS SPECIFIED)									
ANGULAR TOL	± 2.0°								
4 PLACES	±								
3 PLACES	±								
2 PLACES	±	PRODUCT CUSTOMER DRAWING							
1 PLACE	±	DOCUMENT NUMBER			DOC TYPE	DOC PART	REVISION		
0 PLACES	±	SD-73100-0259			PSD	001	B3		
DRAFT WHERE APPLICABLE MUST REMAIN WITHIN DIMENSIONS		THIRD ANGLE PROJECTION	DRAWING	SERIES	MATERIAL NUMBER	CUSTOMER	SHEET NUMBER		
			C-SIZE	73100	731000259	GENERAL MARKET	1 OF 1		