

PLEASE CHECK WWW.MOLEX.COM FOR LATEST PART INFORMATION

Part Number: [73101-0190](#)
Status: **Active**
Overview: [BNC Miniature RF Connectors](#)
Description: 75 Ohms, PCB Receptacle

Documents:

[Drawing \(PDF\)](#) [RoHS Certificate of Compliance \(PDF\)](#)

General

Product Family	RF/Coax Connectors
Series	73101
Overview	BNC Miniature RF Connectors
Product Name	BNC
Style	PCB
UPC	800753946941
Wire/Cable Type	N/A

Physical

Gender	Jack
Keying to Mating Part	Yes
Net Weight	21.090/g
Orientation	Right Angle
PCB Mounting	Through Hole
PCB Thickness - Recommended	5.40mm
Packaging Type	Bag
Panel Mount	Yes
Panel Mount Method	Bulkhead

Electrical

Impedance	75#
-----------	-----

Material Info

Reference - Drawing Numbers

Sales Drawing	SD-73101-019
---------------	--------------

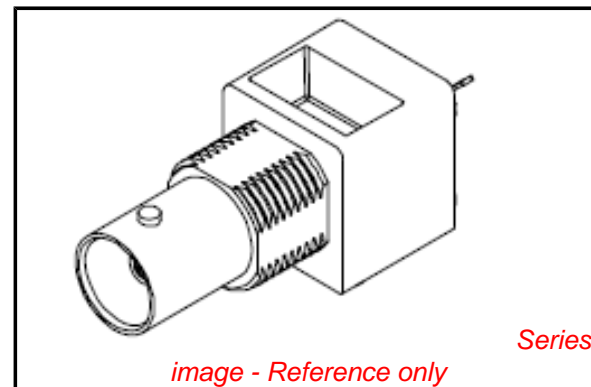


image - Reference only

EU RoHS

RoHS Compliant RF Product

REACH SVHC

Contains SVHC: No

Low-Halogen Status

Low-Halogen

China RoHS



Need more information on product environmental compliance?

Email productcompliance@molex.com
 For a multiple part number RoHS Certificate of Compliance, [click here](#)

Please visit the [Contact Us](#) section for any non-product compliance questions.

Search Parts in this Series

[73101Series](#)

PLEASE CHECK WWW.MOLEX.COM FOR LATEST PART INFORMATION