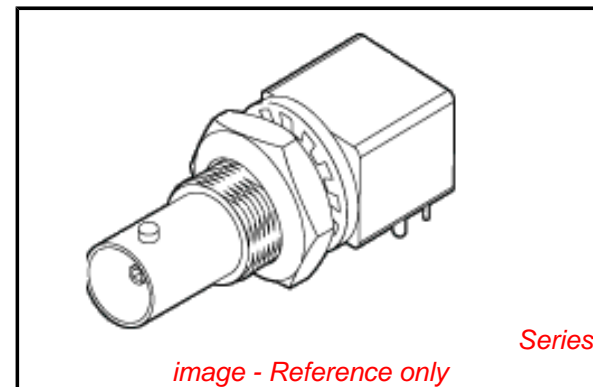


PLEASE CHECK WWW.MOLEX.COM FOR LATEST PART INFORMATION

Part Number: [73138-5003](#)
Status: **Active**
Overview: BNC Miniature RF Connectors
Description: BNC 50 Ohm, Right Angle PCB Bulkhead Jack Receptacle, Panel Isolated, Black PBT Housing, Housing Height 15.90mm, Nut and Lockwasher included, Gold Flash on Contact

Documents:

[Drawing \(PDF\)](#) [RoHS Certificate of Compliance \(PDF\)](#)
[Product Specification PS-89675-103 \(PDF\)](#)



General

Product Family	RF/Coax Connectors
Series	73138
Overview	<u>BNC Miniature RF Connectors</u>
Product Name	BNC
Style	PCB
UPC	800753750272
Wire/Cable Type	N/A

Physical

Cable Attachment	N/A
Gender	Jack
Keying to Mating Part	None
Net Weight	15.347/g
Orientation	Right Angle
PCB Mounting	Through Hole
PCB Thickness - Recommended	3.20mm
Packaging Type	Tray
Panel Mount	Yes
Panel Mount Method	Bulkhead
Reverse Polar	No

Electrical

Impedance	50#
-----------	-----

Solder Process Data

Lead-free Process Capability	Wave Capable (TH only)
Process Temperature max. C	245

Material Info

Reference - Drawing Numbers

Product Specification	PS-89675-103
Sales Drawing	SD-73138-5003

EU RoHS	China RoHS
RoHS Compliant RF Product	
REACH SVHC	
Not Reviewed	
Low-Halogen Status	
Low-Halogen	Pb

Need more information on product environmental compliance?

Email productcompliance@molex.com
 For a multiple part number RoHS Certificate of Compliance, [click here](#)

Please visit the [Contact Us](#) section for any non-product compliance questions.

Search Parts in this Series
[73138Series](#)