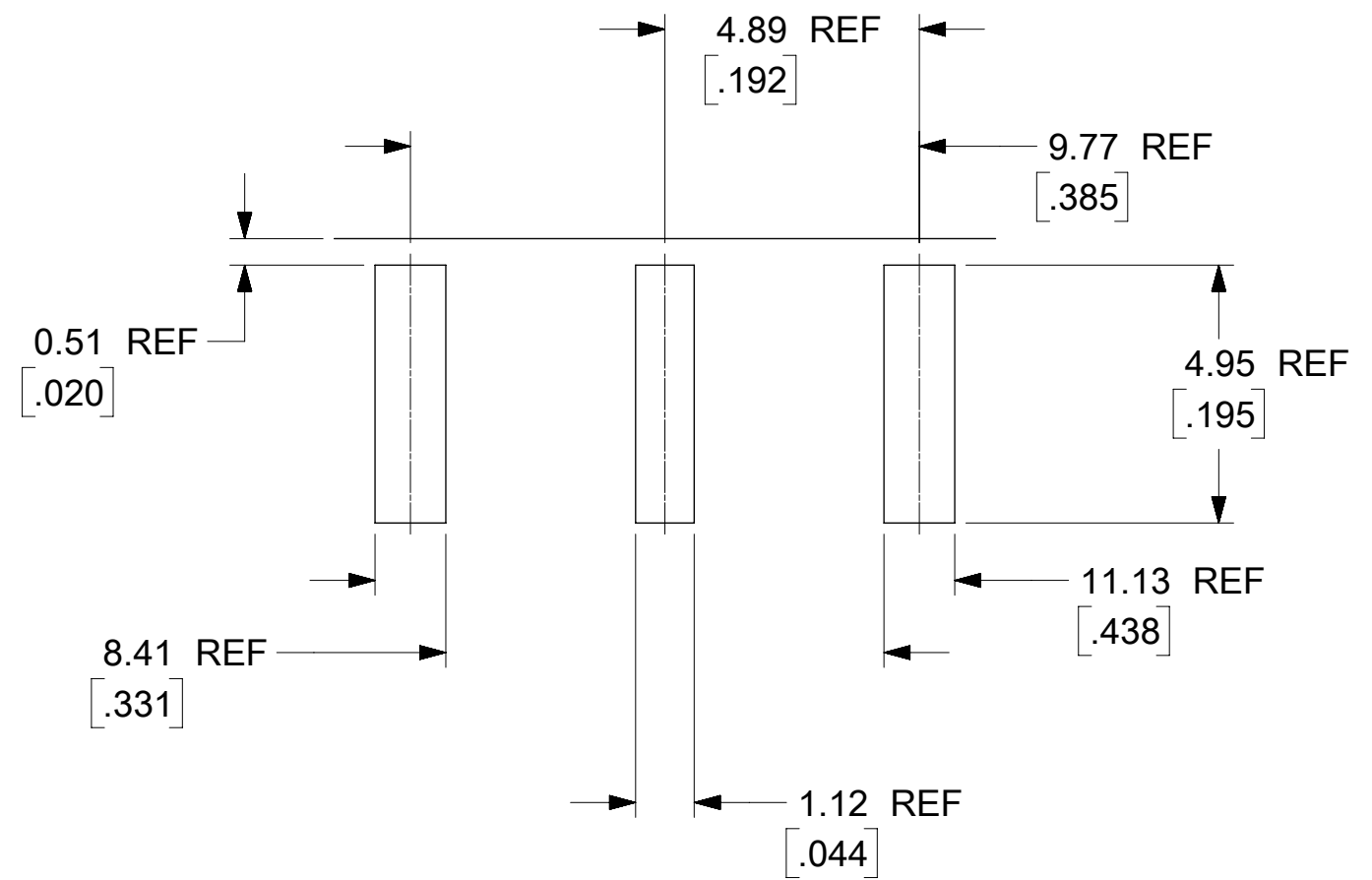
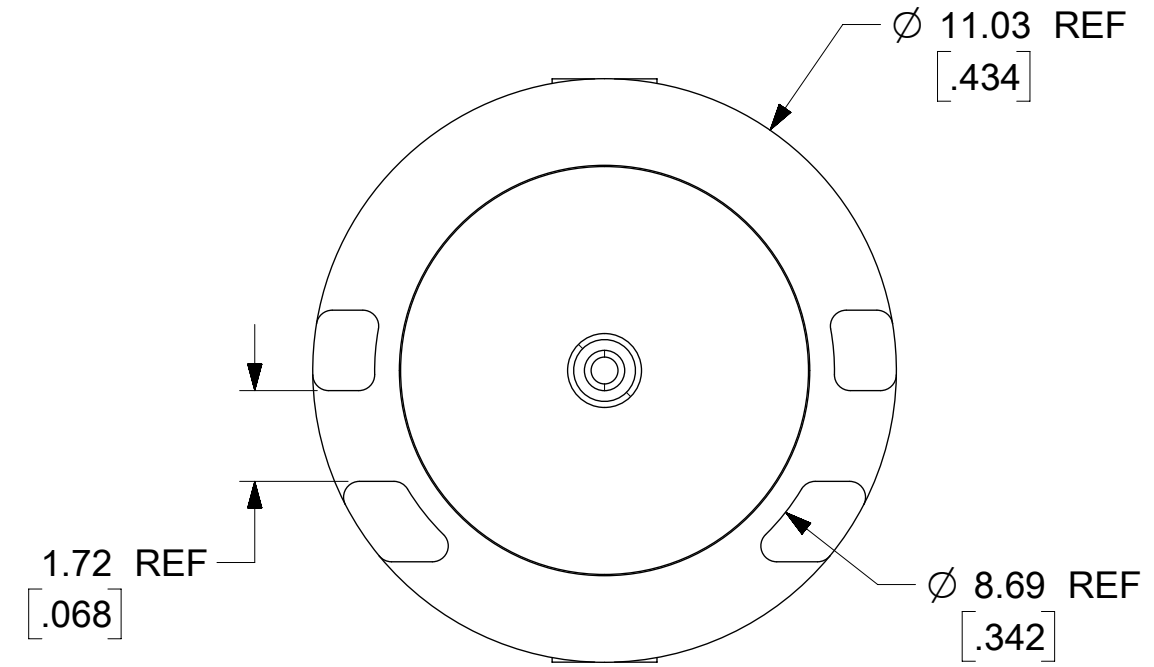
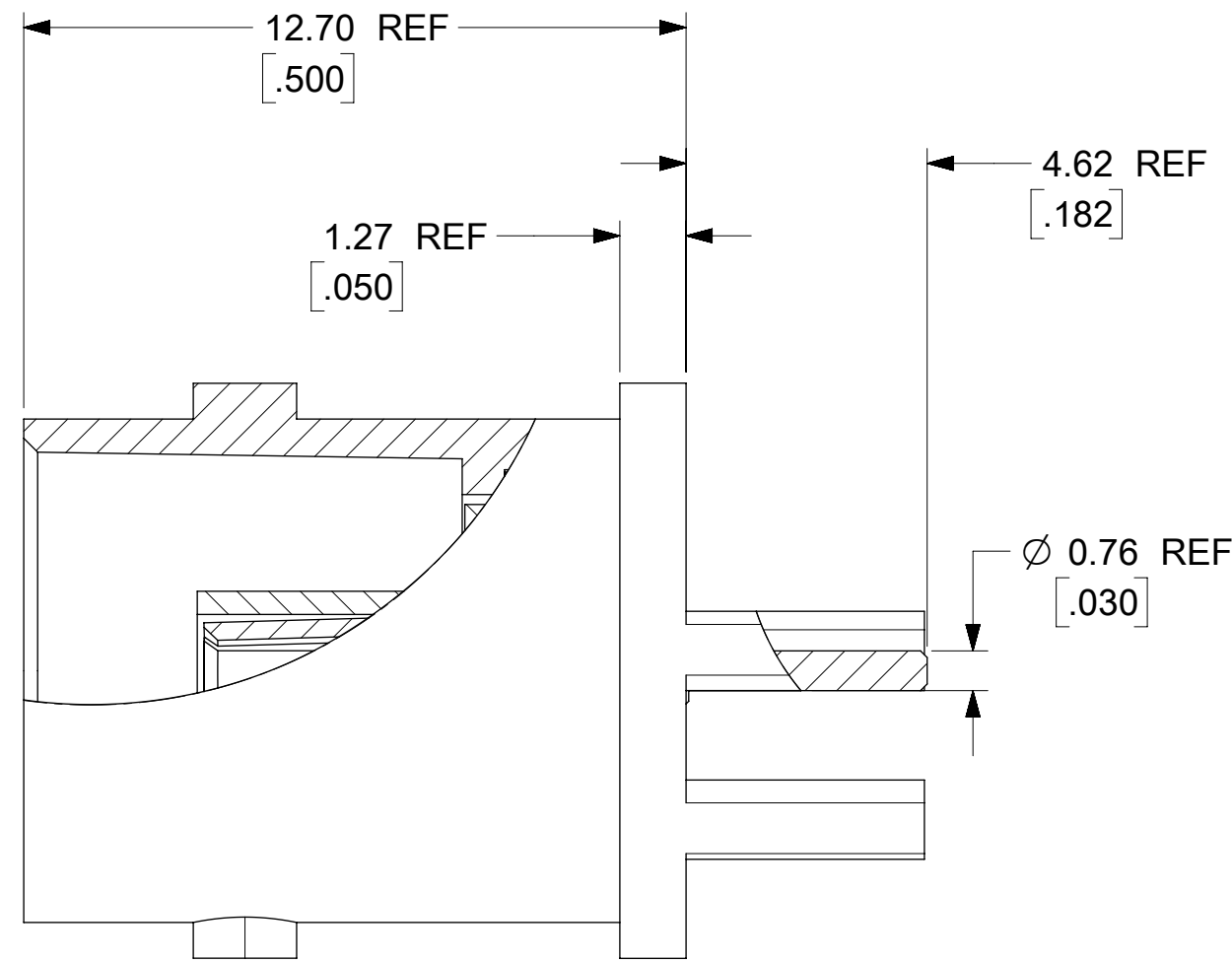
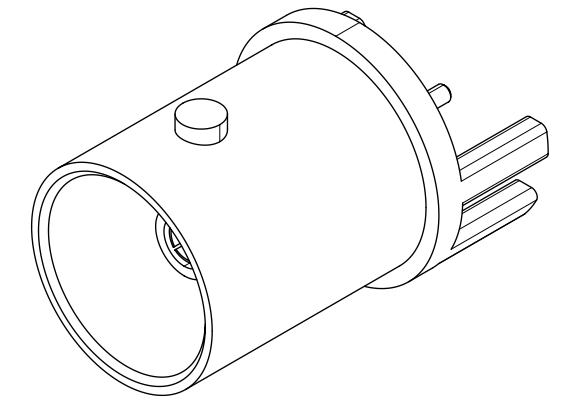


MATERIALS AND FINISHES

BODY: ZINC ALLOY
PLATED NICKEL

CONTACT: BERYLLIUM COPPER
PLATED GOLD

INSULATOR: TEFLON



PCB LAYOUT

73171-0781	ONE PER BAG. PER 89542-0080
73171-0780	BY TRAY PER PK-89542-006
PART NO.	PACKAGING

PS-89675-2020	ELEC/MECH PERFORMANCE
SPECIFICATION	DESCRIPTION

A6	2018/07/25	ADD PKG NOTE PER GLSS
REV.	DATE	DESCRIPTION

SYMBOLS	THIS DRAWING CONTAINS INFORMATION THAT IS PROPRIETARY TO MOLEX ELECTRONIC TECHNOLOGIES, LLC AND SHOULD NOT BE USED WITHOUT WRITTEN PERMISSION			
	DIMENSION UNITS	SCALE	CURRENT REV DESC:	
▽ = 0	HYBRID		EC NO: 601968	
▽ = 0	GENERAL TOLERANCES (UNLESS SPECIFIED)		DRWN: CWEI02	2018/07/24
▽ = 0			CHK'D: YCHENG	2018/08/03
▽ = 0	4 PLACES	±	APPR: YCHENG	2018/08/03
▽ = 0	3 PLACES	±	INITIAL REVISION:	
▽ = 0	2 PLACES	±	DRWN: GMH	1999/02/26
▽ = 0	1 PLACE	±	APPR: GMH	1999/02/26
▽ = 0	0 PLACES	±	THIRD ANGLE PROJECTION	DRAWING
▽ = 0	ANGULAR TOL	± 2.0 °	C-SIZE	SERIES
▽ = 0	DRAFT WHERE APPLICABLE MUST REMAIN WITHIN DIMENSIONS		73171	MATERIAL NUMBER
				CUSTOMER
				SHEET NUMBER
				SD-73171-078
				PSD 001 A6
				SEE TABLE
				GENERAL MARKET
				1 OF 1

DOCUMENT STATUS	P1	RELEASE DATE	2018/08/03	06:08:10
-----------------	----	--------------	------------	----------