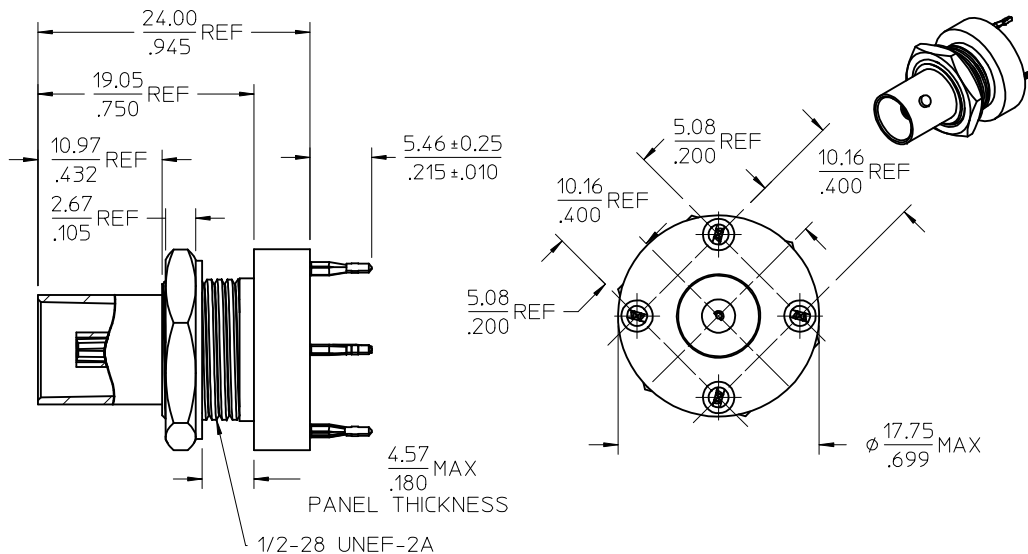
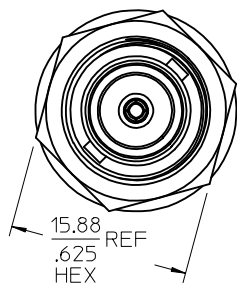
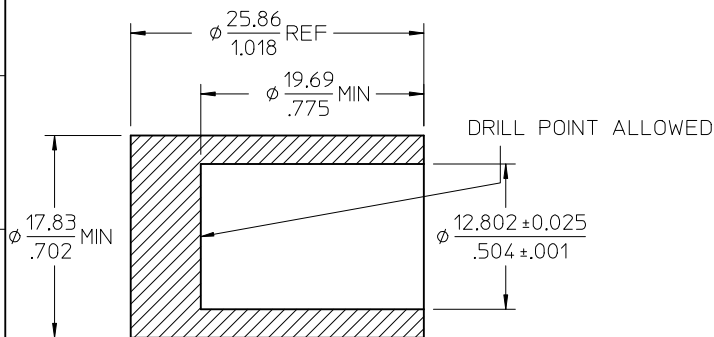


MATERIALS AND FINISHES:

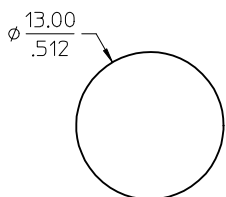
- BODY: ZINC PLATED NICKEL
- CENTER CONTACT: BERYLLIUM COPPER PLATED GOLD
- COMPLIANT GROUND PIN: PHOSPHOR BRONZE PLATED TIN
- INSULATOR TEFLON
- LOCKWASHER: PHOSPHOR BRONZE PLATED NICKEL
- JAM NUT: BRASS PLATED NICKEL



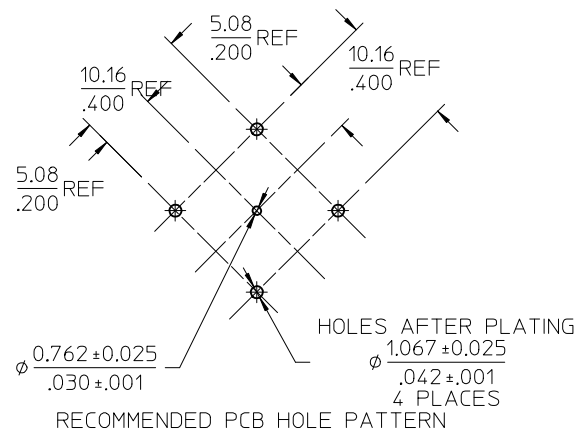
OBSOLETE AFTER 9/01/2017. LAST BUY DATE 6/1/2017



SUGGESTED TOOL TO PRESS CONNECTORS ONTO PCB
TOOL NOT INCLUDED WITH CONNECTOR



RECOMMENDED MOUNTING HOLE



RECOMMENDED PCB HOLE PATTERN

PART # 73171-0950

CHG: ADD NOTE EC NO: URF-2017-0287 DRWN: YCHENG 2017/01/25 CHKD: APPR: AROBERTSON 2017/01/27	QUALITY SYMBOLS ▽=0 ▽=0	GENERAL TOLERANCES (UNLESS SPECIFIED)		DIMENSION STYLE MM/IN		SCALE	DESIGN UNITS	THIRD ANGLE PROJECTION	
		mm	INCH	DRAWN BY	DATE	TITLE	METRIC	MOLEX INCORPORATED	SHEET NO. 1 OF 1
		4 PLACES ± ---	± ---	GMH	1999/09/27	BNC JACK, W/CONFORMABLE PINS, PCB, 75 OHMS BNC-J/PCB			
		3 PLACES ± ---	± ---	CHECKED BY	DATE				
2 PLACES ± ---	± ---	GMH	1999/09/27						
1 PLACE ± ---	± ---	APPROVED BY	DATE						
		GMH	1999/09/27						
		MATERIAL NO. 731710950		DOCUMENT NO. SD-73171-095					
DRAFT WHERE APPLICABLE MUST REMAIN WITHIN DIMENSIONS		SIZE	THIS DRAWING CONTAINS INFORMATION THAT IS PROPRIETARY TO MOLEX INCORPORATED AND SHOULD NOT BE USED WITHOUT WRITTEN PERMISSION						
A4	REV								