

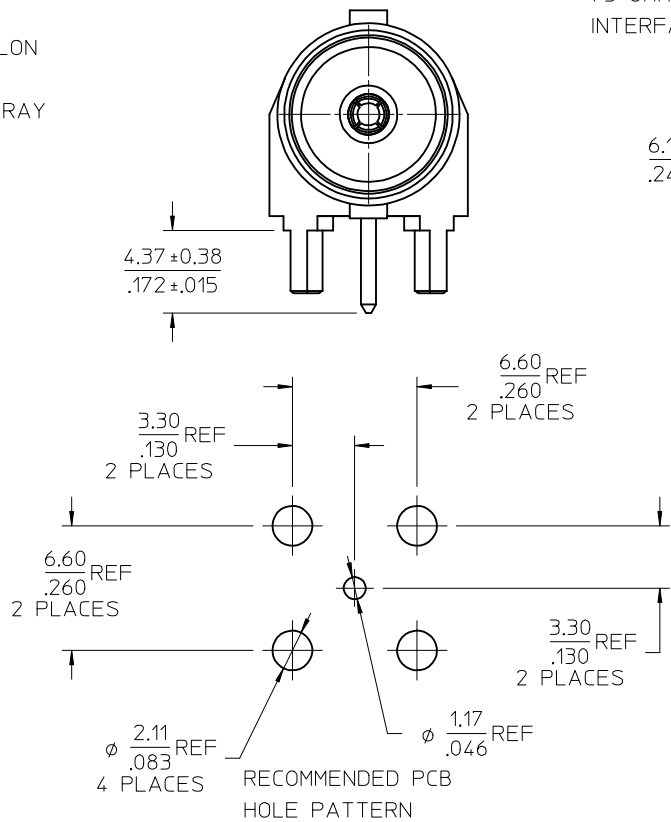
MATERIALS AND FINISHES

BODY ZINC  
PLATED SEE TABLE

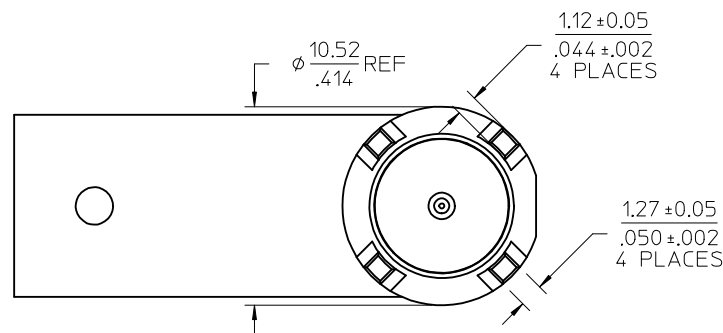
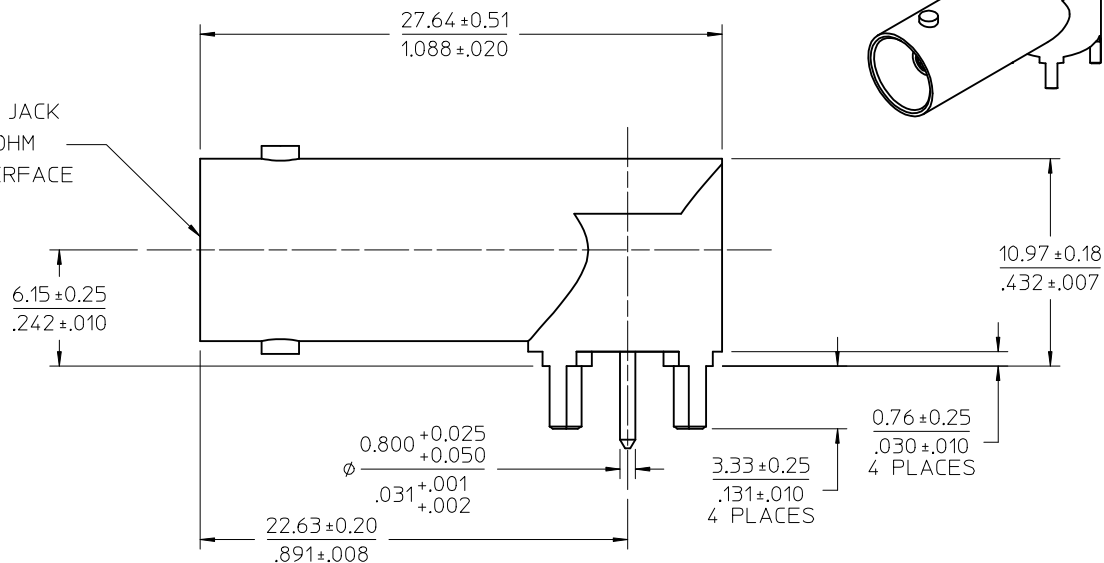
CENTER CONTACT PHOSPHOR BRONZE  
PLATED GOLD OVER NICKEL

INSULATOR TEFLON

PACKAGING: BY TRAY



BNC JACK  
75 OHM  
INTERFACE



PS-89675-2020	PRODUCT SPECIFICATION
SPECIFICATION	DESCRIPTION

73171-1641	NICKEL
73171-1640	BRIGHT TIN OVER NICKEL
PART NO.	PLATING

CHG: ADDED PKG PER RP15-E277 EC NO: URF2016-0091 DRWN: CME102 2015/08/06 CHKD: APPR: YCHENG 2015/08/07 A4	QUALITY SYMBOLS 	GENERAL TOLERANCES (UNLESS SPECIFIED)		DIMENSION STYLE		SCALE	DESIGN UNITS	THIRD ANGLE PROJECTION			
				MM/IN			METRIC				
				DRAWN BY DATE		TITLE					
				CHECKED BY DATE		APPROVED BY DATE					
		MATERIAL NO.		DOCUMENT NO.							
		ANGULAR ± 2 °		SEE TABLE							
		DRAFT WHERE APPLICABLE MUST REMAIN WITHIN DIMENSIONS		THIS DRAWING CONTAINS INFORMATION THAT IS PROPRIETARY TO MOLEX INCORPORATED AND SHOULD NOT BE USED WITHOUT WRITTEN PERMISSION							

