

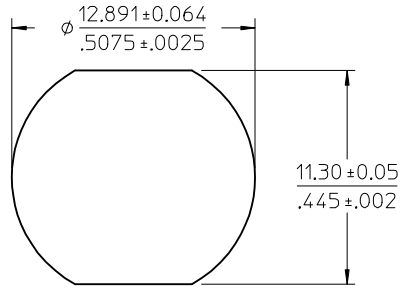
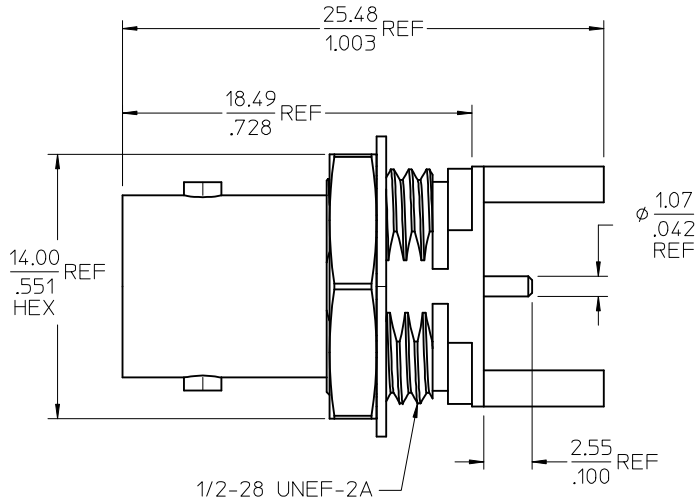
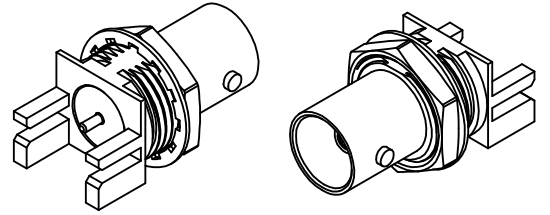
MATERIALS AND FINISHES

BODY, JAMNUT BRASS  
PLATED SEE TABLE

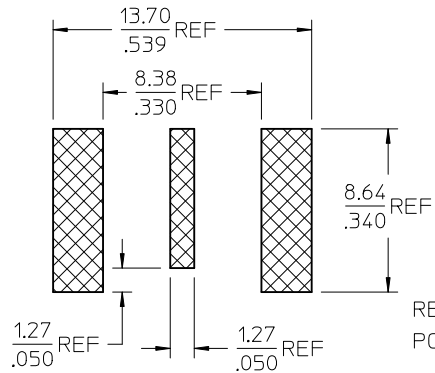
CENTER CONTACT BERYLLIUM COPPER  
PLATED GOLD

INSULATOR TEFLON

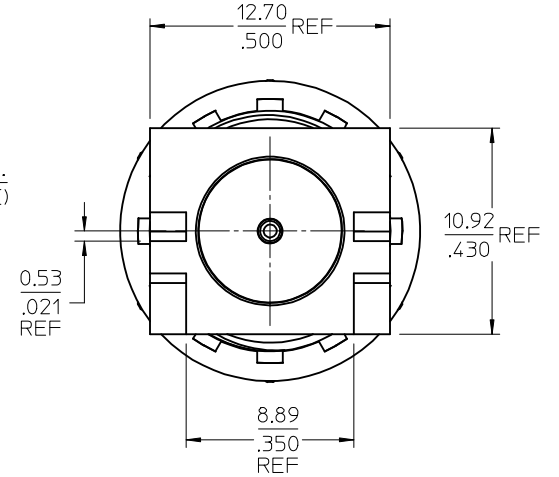
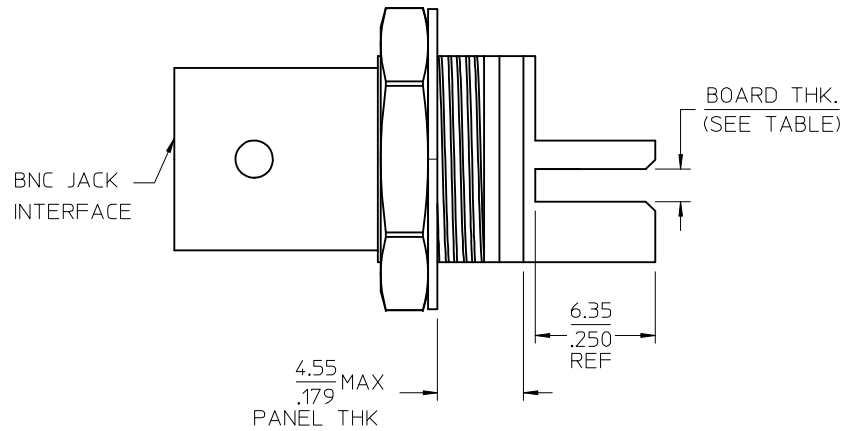
LOCKWASHER PHOSPHOR BRONZE  
PLATED SEE TABLE



RECOMMENDED PANEL CUTOUT



RECOMMENDED PCB LAYOUT



MIL-STD-348A, FIG. 301.2	INTERFACE
SPECIFICATION	DESCRIPTION

CHG: -2600/02 PKG TRAY WAS BULK; ADD -2603/04 PKG TRAY PER RF15-E236 EC NO: URF2015-0708 DRW:WCE102 2015/06/15 CHKD: APPR:YCHENG 2015/06/23	QUALITY SYMBOLS ∇=0 ∇=0 ∇=0	GENERAL TOLERANCES (UNLESS SPECIFIED)		DIMENSION STYLE MM/IN	SCALE	DESIGN UNITS METRIC	THIRD ANGLE PROJECTION
		4 PLACES ± --- ± --- 3 PLACES ± --- ± --- 2 PLACES ± --- ± --- 1 PLACE ± --- ± --- 0 PLACE ± ±	DRAWN BY SSS	DATE 2005/03/30	TITLE BNC JACK, BULKHEAD, PCB 75 OHMS 3 GHZ EWR2754 BNC-J/PCB		
		ANGULAR ± 2 °	CHECKED BY TEF	DATE 2005/03/30	APPROVED BY JDE	DATE 2005/03/30	
		DRAFT WHERE APPLICABLE MUST REMAIN WITHIN DIMENSIONS	MATERIAL NO. SEE SHEET 2	DOCUMENT NO. SD-73171-260	SHEET NO. 1 OF 2		

13 12 11 10 9 8 7 6 5 4 3 2 1

J  
I  
H  
G  
F  
E  
D  
C  
B  
A

73171-2606	.120 REF	3.05 REF	NICKEL
73171-2605	.120 REF	3.05 REF	GOLD
73171-2604	.084 REF	2.13 REF	NICKEL/TRAY
73171-2603	.084 REF	2.13 REF	GOLD/TRAY
73171-2602	.060/.064 REF	1.52/1.63 REF	NICKEL/TRAY
73171-2601	.060/.064 REF	1.52/1.63 REF	73171-2600, ONE PER BAG
73171-2600	.060/.064 REF	1.52/1.63 REF	GOLD/TRAY
PART NO.	IN	MM	PLATING/PACKAGING
BOARD THK.			

CHG: SEE SHEET 1 EC NO: URF2015-0708 DRAWN: WME102 2015/06/15 CHKD: APPR: YCHENG	2015/06/23	QUALITY SYMBOLS
	DESCRIPTION	▽=0
		▽=0
		▽=0
REV	A3	

GENERAL TOLERANCES (UNLESS SPECIFIED)	
mm	INCH
4 PLACES ± .005	± .0005
3 PLACES ± .005	± .0005
2 PLACES ± .005	± .0005
1 PLACE ± .005	± .0005
0 PLACE ±	±
ANGULAR ± 2°	
DRAFT WHERE APPLICABLE MUST REMAIN WITHIN DIMENSIONS	

DIMENSION STYLE	
MM/IN	
DRAWN BY	DATE
SSS	2005/03/30
CHECKED BY	DATE
TEF	2005/03/30
APPROVED BY	DATE
JDE	2005/03/30
MATERIAL NO.	
SEE TABLE	
SIZE C	

SCALE	DESIGN UNITS	THIRD ANGLE PROJECTION
	METRIC	☉ □
TITLE		
BNC JACK, BULKHEAD, PCB 75 OHMS 3 GHZ EWR2754 BNC-J/PCB		
<b>molex</b>		
DOCUMENT NO.	SHEET NO.	
SD-73171-260	2 OF 2	
THIS DRAWING CONTAINS INFORMATION THAT IS PROPRIETARY TO MOLEX INCORPORATED AND SHOULD NOT BE USED WITHOUT WRITTEN PERMISSION		

Ib\_frame\_C\_P\_AM\_T 12 11 10 9 8 7 6 5 4 3 2 1  
Rev. G 2012/01/11