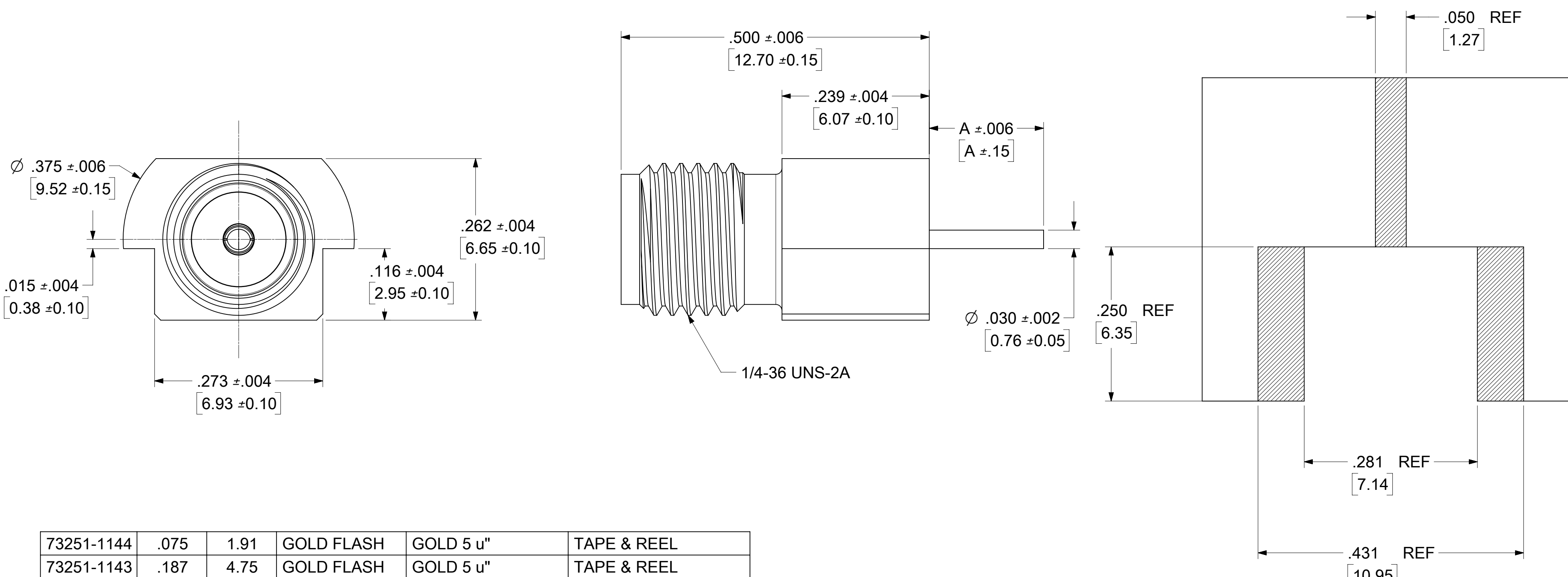
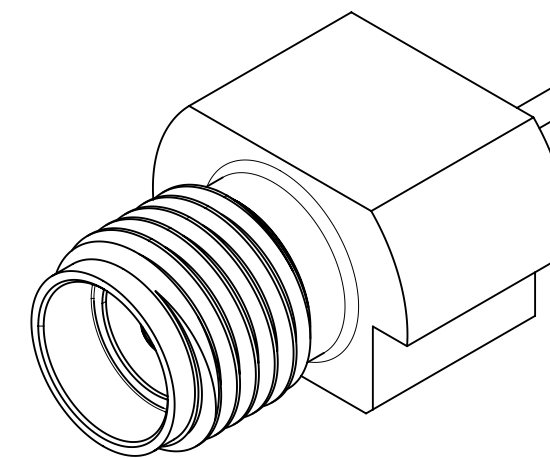


MATERIALS AND FINISHES:

BODY: BRASS
PLATED GOLD (SEE TABLE)

INSULATOR: TEFLON

CONTACT: BERYLLIUM COPPER
PLATED GOLD (SEE TABLE)

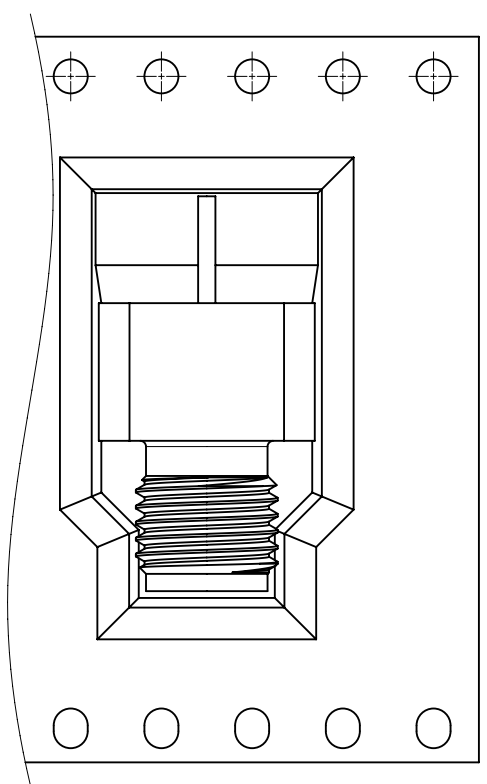
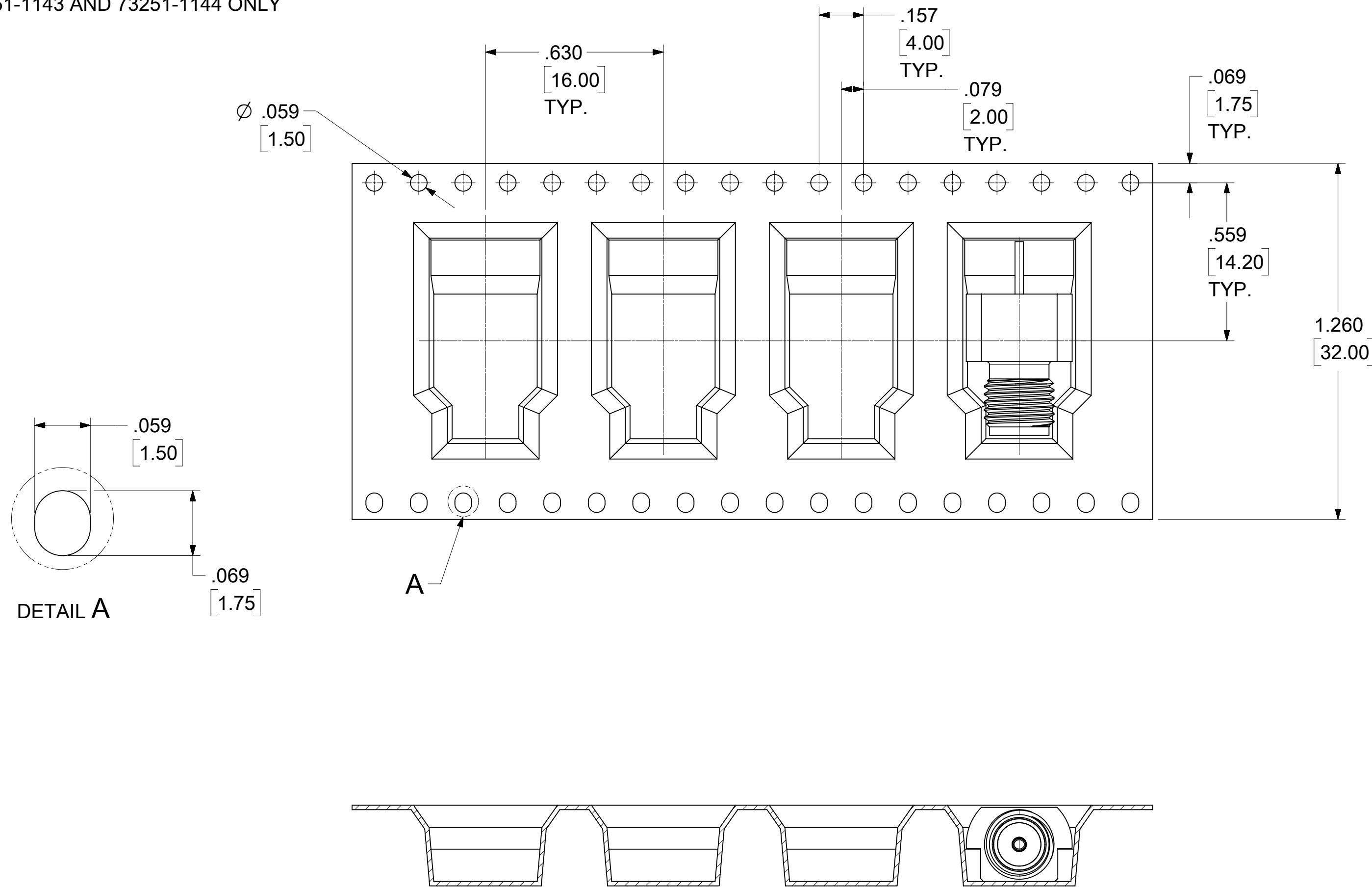


73251-1144	.075	1.91	GOLD FLASH	GOLD 5 u"	TAPE & REEL
73251-1143	.187	4.75	GOLD FLASH	GOLD 5 u"	TAPE & REEL
73251-1142	.187	4.75	GOLD FLASH	GOLD 5 u"	TRAY PER 89542-0040
73251-1141	.075	1.91	GOLD	GOLD	TRAY PER 89542-0040
73251-1140	.187	4.75	GOLD	GOLD	TRAY PER 89542-0040
PART NO.	INCH	MM	BODY PLATING	CONTACT PLATING	PACKAGING
DIM X	A				

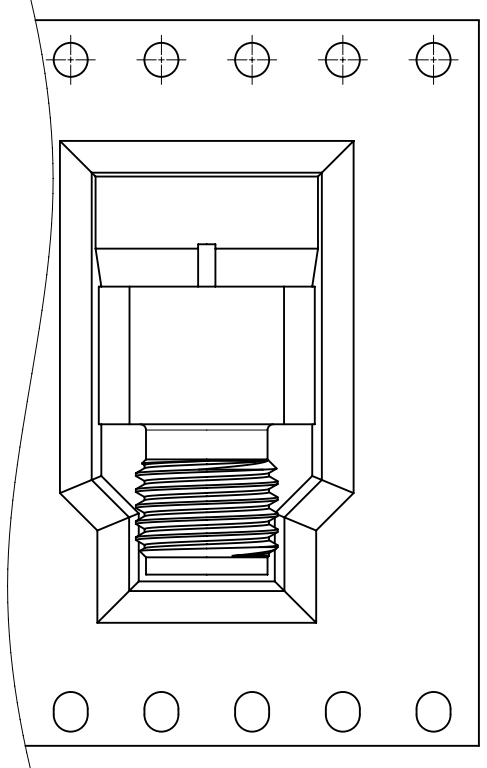
A5	2018/07/27	ADD -1144 PER EWR12354
REV.	DATE	DESCRIPTION

THIS DRAWING CONTAINS INFORMATION THAT IS PROPRIETARY TO MOLEX ELECTRONIC TECHNOLOGIES, LLC AND SHOULD NOT BE USED WITHOUT WRITTEN PERMISSION									
DIMENSION UNITS	SCALE	CURRENT REV DESC:							
INCH	NTS								
GENERAL TOLERANCES (UNLESS SPECIFIED)		EC NO: 603510			SMA JACK SURFACE MOUNT END LAUNCH SMA-J/PCB, EWR-3563				
ANGULAR TOL	±	0.5°							
4 PLACES	±	DRWN: CWEI02 2018/07/27							
3 PLACES	±	CHK'D: YCHENG 2018/08/28							
2 PLACES	±	APPR: YCHENG 2018/08/28							
1 PLACE	±	INITIAL REVISION:							
0 PLACES	±	DRWN: LMB 2000/09/22							
DRAFT WHERE APPLICABLE MUST REMAIN WITHIN DIMENSIONS		THIRD ANGLE PROJECTION		DRAWING		SERIES		DOCUMENT NUMBER	
				C-SIZE		73251		SD-73251-114	
								DOC TYPE DOC PART REVISION	
								PSD 001 A5	
								MATERIAL NUMBER CUSTOMER SHEET NUMBER	
								SEE TABLE GENERAL MARKET 1 OF 3	

NOTES:
 1. MATERIAL: PS BLACK
 2. FOR 73251-1143 AND 73251-1144 ONLY

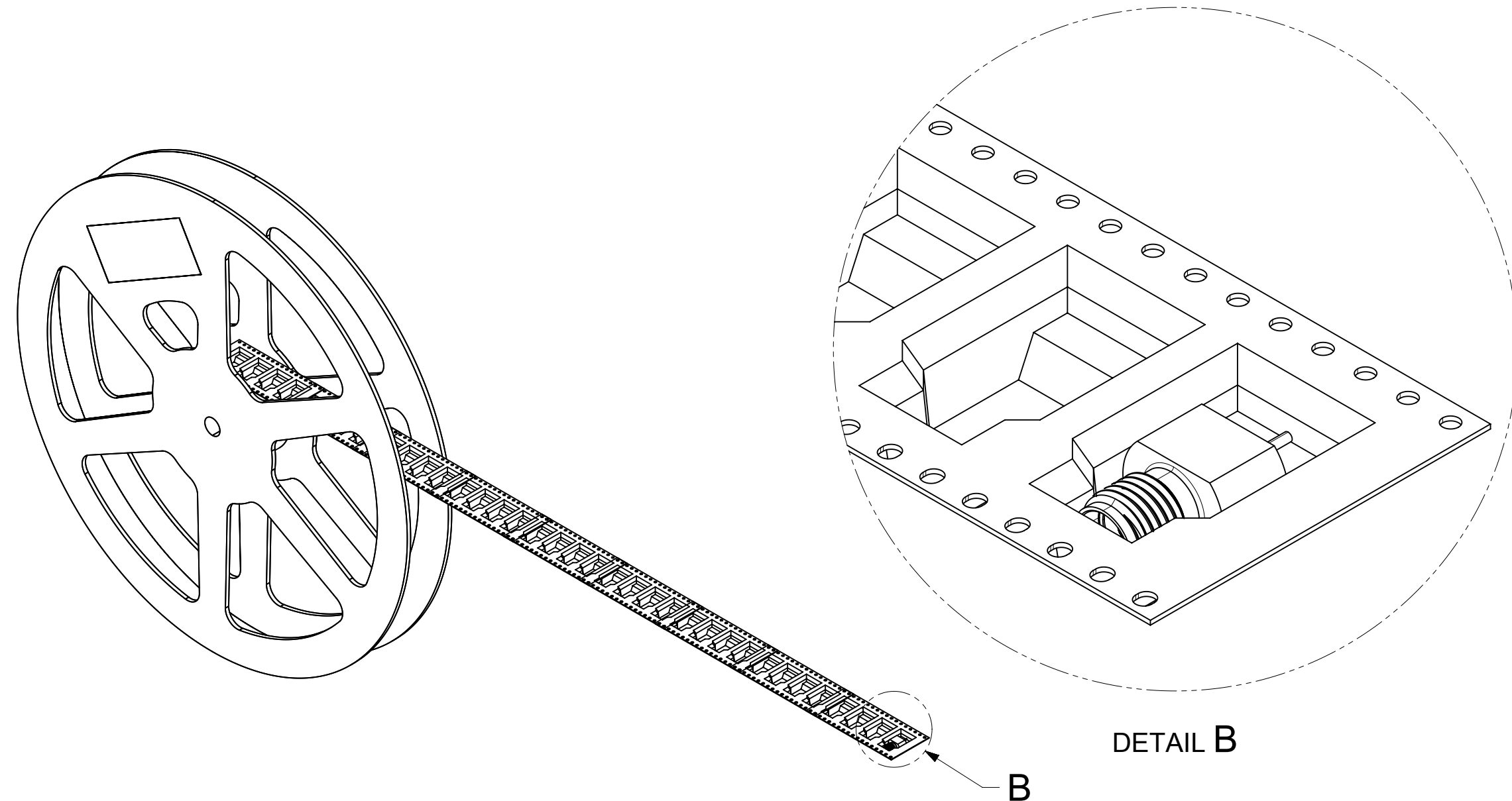
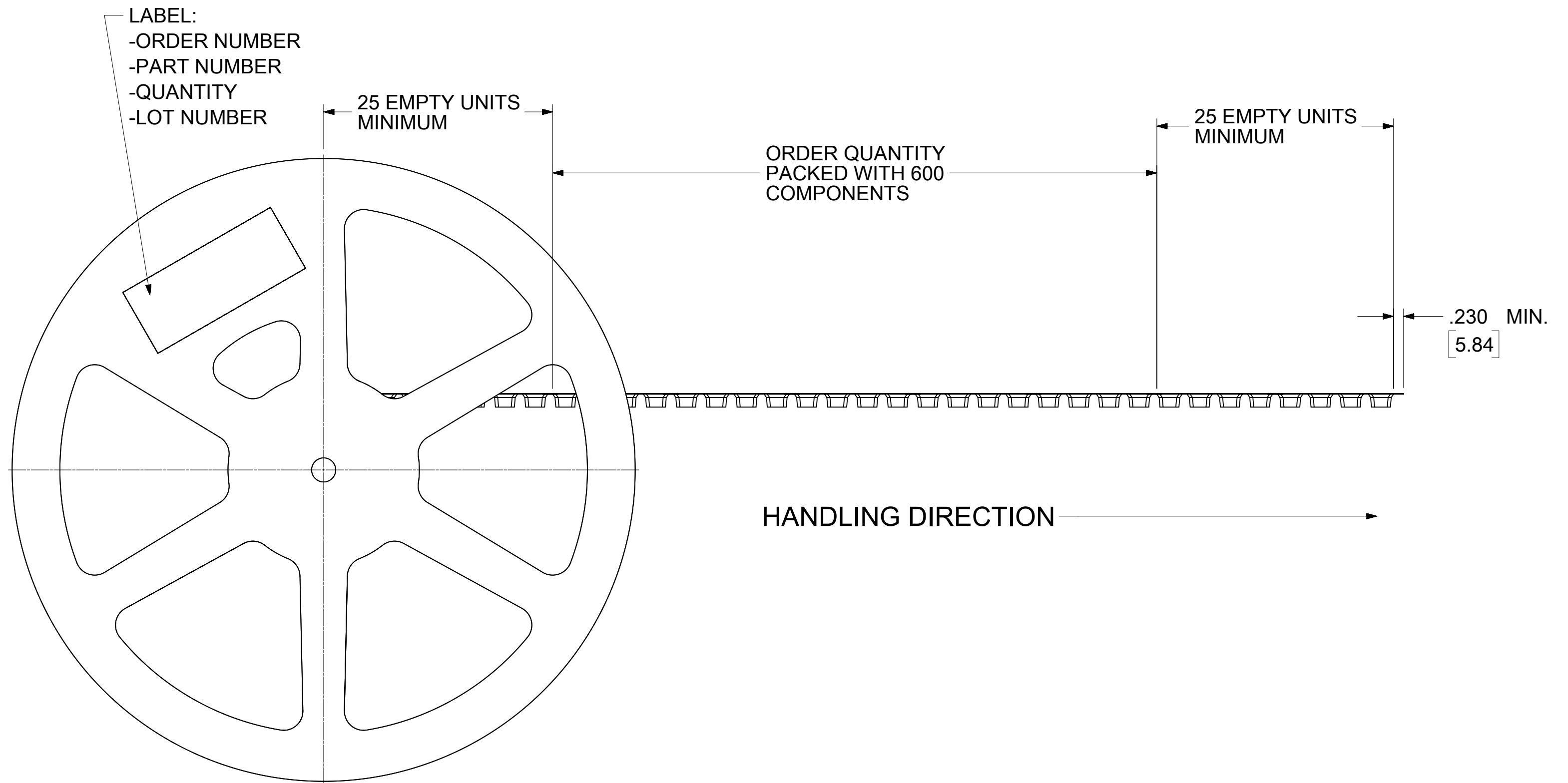
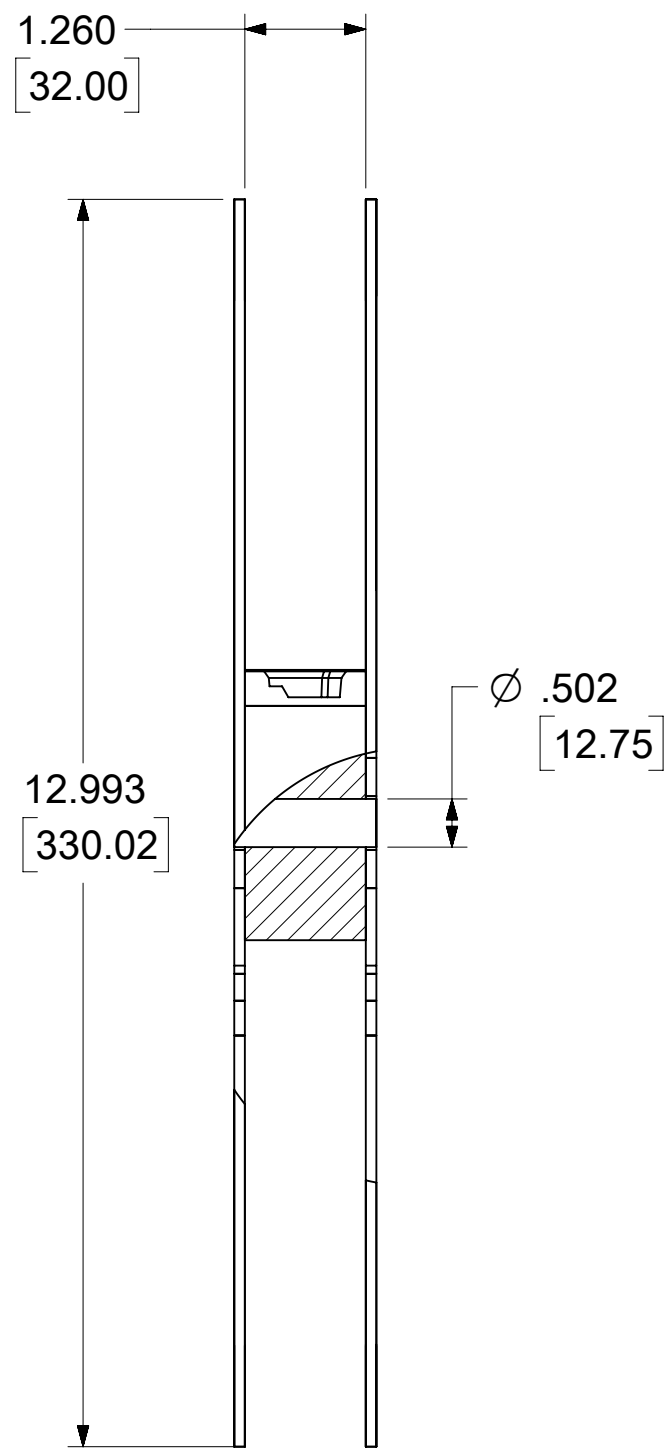


PART NO. 73251-1143



PART NO. 73251-1144

THIS DRAWING CONTAINS INFORMATION THAT IS PROPRIETARY TO MOLEX ELECTRONIC TECHNOLOGIES, LLC AND SHOULD NOT BE USED WITHOUT WRITTEN PERMISSION											
DIMENSION UNITS		SCALE		CURRENT REV DESC:							
INCH		NTS		EC NO: 603510 DRWN: CWEI02 2018/07/27 CHK'D: YCHENG 2018/08/28 APPR: YCHENG 2018/08/28 INITIAL REVISION: DRWN: LMB 2000/09/22 APPR: GMH 2000/09/22							
GENERAL TOLERANCES (UNLESS SPECIFIED)											
ANGULAR TOL ± 0.5°											
4 PLACES ±											
3 PLACES ±											
2 PLACES ±				PRODUCT CUSTOMER DRAWING							
1 PLACE ±				DOCUMENT NUMBER		DOC TYPE		DOC PART		REVISION	
0 PLACES ±				SD-73251-114		PSD		001		A5	
DRAFT WHERE APPLICABLE MUST REMAIN WITHIN DIMENSIONS		THIRD ANGLE PROJECTION		DRAWING		SERIES		MATERIAL NUMBER		CUSTOMER	
				C-SIZE		73251		SEE TABLE		GENERAL MARKET	
DOCUMENT STATUS		P1		RELEASE DATE		2018/08/28 07:12:04		SHEET NUMBER		2 OF 3	



- NOTES:
 1. DIMENSIONS ARE PROVIDED FOR REFERENCE ONLY
 2. COMPONENT LOAD PER 13" REEL: 600 PCS
 3. FOR 73251-1143 AND 73251-1144 ONLY

THIS DRAWING CONTAINS INFORMATION THAT IS PROPRIETARY TO MOLEX ELECTRONIC TECHNOLOGIES, LLC AND SHOULD NOT BE USED WITHOUT WRITTEN PERMISSION											
DIMENSION UNITS		SCALE		CURRENT REV DESC:							
INCH		NTS		EC NO: 603510 DRWN: CWEI02 2018/07/27 CHK'D: YCHENG 2018/08/28 APPR: YCHENG 2018/08/28 INITIAL REVISION: DRWN: LMB 2000/09/22 APPR: GMH 2000/09/22							
GENERAL TOLERANCES (UNLESS SPECIFIED)											
ANGULAR TOL ± 0.5°											
4 PLACES ±											
3 PLACES ±											
2 PLACES ±				PRODUCT CUSTOMER DRAWING							
1 PLACE ±				DOCUMENT NUMBER		DOC TYPE		DOC PART		REVISION	
0 PLACES ±				SD-73251-114		PSD		001		A5	
DRAFT WHERE APPLICABLE MUST REMAIN WITHIN DIMENSIONS		THIRD ANGLE PROJECTION		DRAWING		SERIES		MATERIAL NUMBER		CUSTOMER	
				C-SIZE		73251		SEE TABLE		GENERAL MARKET	
DOCUMENT STATUS		P1		RELEASE DATE		2018/08/28 07:12:04		SHEET NUMBER		3 OF 3	