

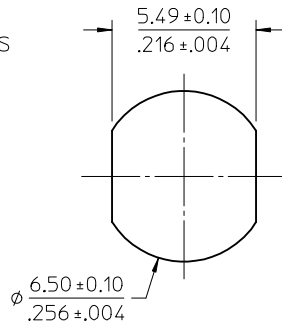
MATERIALS AND FINISHES

BODY, JAM NUT, FLAT WASHER: BRASS  
PLATED: GOLD

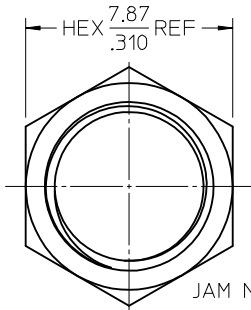
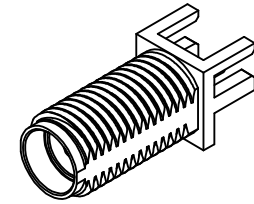
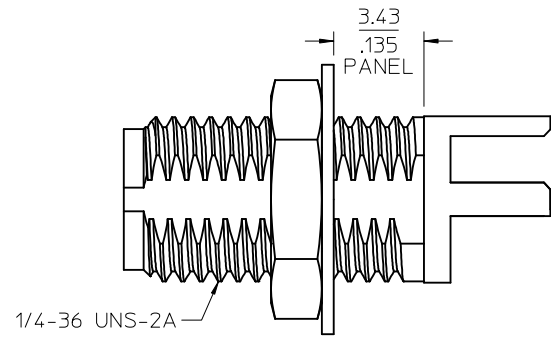
CENTER CONTACT: BeCu  
PLATED: GOLD

INSULATOR: TEFLON

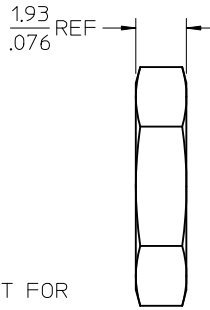
LOCKWASHER: PHOSPHOR BRONZE  
PLATED: GOLD



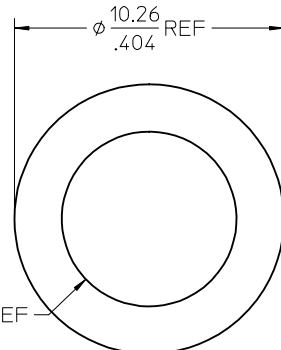
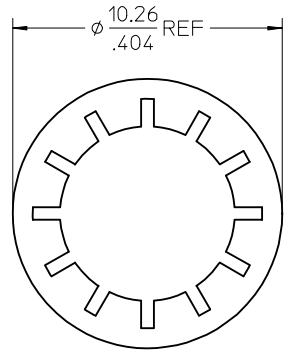
RECOMMENDED PANEL CUTOUT



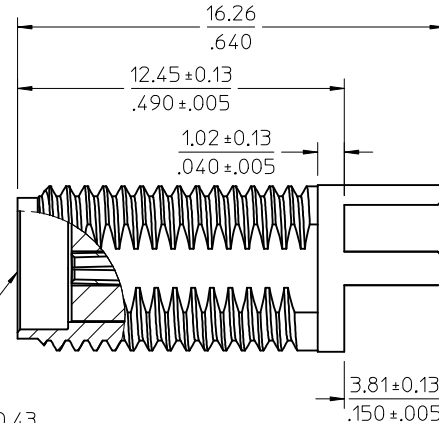
JAM NUT FOR  
73251-2121 & -2122



LOCK WASHER FOR  
73251-2121 ONLY



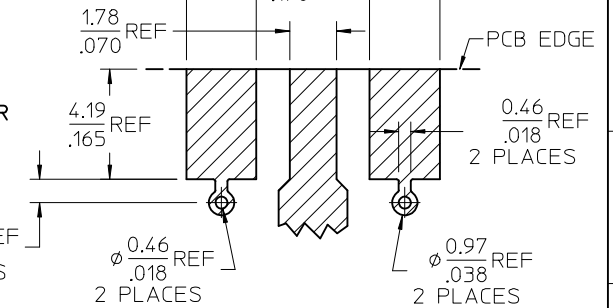
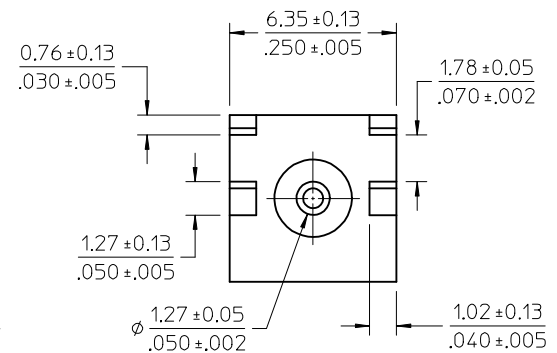
FLAT WASHER FOR  
73251-2122 ONLY



SMA JACK  
INTERFACE

RECOMMENDED PAD LAYOUT

BASE WIDTH: 6.35(.250) NOM.  
BOARD THICKNESS: 1.57(.062) NOM.  
BOARD MATERIAL: FR4 W/1.0 OZ COPPER  
BOTH SIDES



73251-2123	ONE PIECE -2120 WITHOUT HARDWARE PER BAG
73251-2122	-2120 W/JAM NUT & FLAT WASHER / TRAY PACKING
73251-2121	-2120 W/JAM NUT & LOCK WASHER / TRAY PACKING
73251-2120	-2120 WITHOUT HARDWARE / TRAY PACKING
PART NO.	DESCRIPTION
PS-89675-3460	PRODUCT SPECIFICATION
MIL-STD-348A, FIG. 310.2	INTERFACE
SPECIFICATION	DESCRIPTION

CHG: REGENERATED DWG & ADDED TOLERANCE PER RF13-E072	EC NO: URF2013-0355	2012/12/12
DRW:RYEH	CHKD:	
APPR:MHUANG	DESCRIPTION	
REV		
A5		

QUALITY SYMBOLS	GENERAL TOLERANCES (UNLESS SPECIFIED)
▽=0	mm INCH
▽=0	4 PLACES ± --- ± ---
▽=0	3 PLACES ± --- ± ---
	2 PLACES ± --- ± ---
	1 PLACE ± --- ± ---
	0 PLACE ± ±
	ANGULAR ± 2 °
	DRAFT WHERE APPLICABLE MUST REMAIN WITHIN DIMENSIONS

DIMENSION STYLE	SCALE	DESIGN UNITS	THIRD ANGLE PROJECTION
MM/IN	7:1	METRIC	
DRAWN BY	DATE	TITLE	
SSS	2003/07/09	SMA JACK, EDGE MOUNT	
CHECKED BY	DATE	.062 BOARD, 50 OHMS,	
TEF	2003/07/09	EW-2074 SMA-J/PCB	
APPROVED BY	DATE		
JWIENER	2010/10/27		
MATERIAL NO.	DOCUMENT NO.		
SEE TABLE	SD-73251-212		
SIZE			
C			

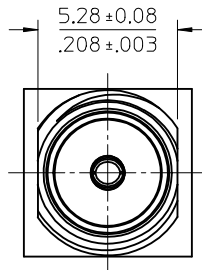
SHEET NO.	
1 OF 1	
THIS DRAWING CONTAINS INFORMATION THAT IS PROPRIETARY TO MOLEX INCORPORATED AND SHOULD NOT BE USED WITHOUT WRITTEN PERMISSION	

MATERIALS AND FINISHES

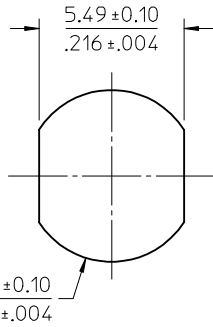
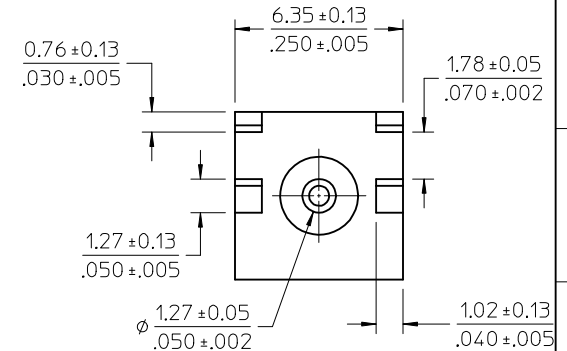
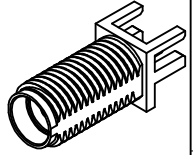
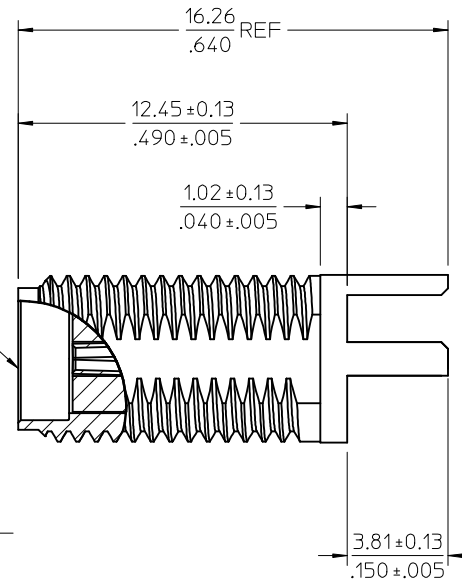
BODY: BRASS  
 PLATED: NICKEL

CENTER CONTACT: BERYLLIUM COPPER  
 PLATED: GOLD

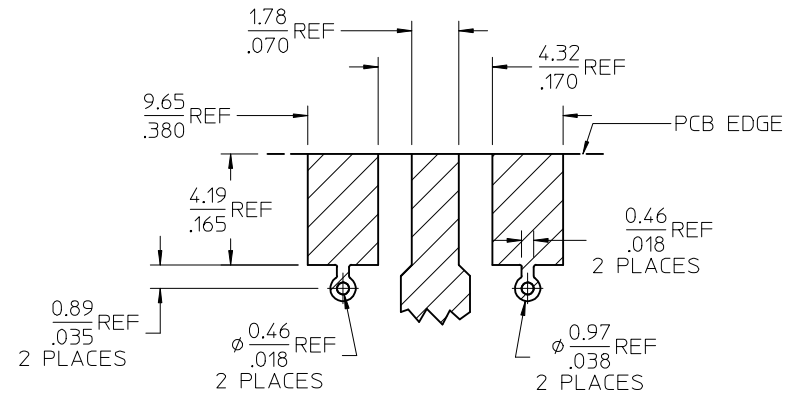
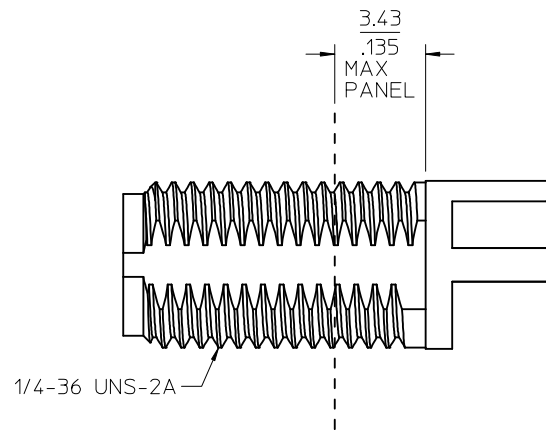
INSULATOR: PTFE



SMA JACK  
 INTERFACE



RECOMMENDED PANEL CUTOUT



RECOMMENDED PAD LAYOUT:  
 BASE WIDTH: 6.35(.250) NOM.  
 BOARD THICKNESS: 1.57(.062) NOM.  
 BOARD MATERIAL: FR4 W/1.0 OZ COPPER  
 BOTH SIDES

PART # 73251-9340

PS-89675-3460	PRODUCT SPECIFICATION
MIL-STD-348A, FIG. 310.2	INTERFACE
SPECIFICATION	DESCRIPTION

CHG: NEW RELEASE EC NO: URF2014-0585 DRWN: JLEE02 2014/04/14 CHKD: SSS 2014/04/14 APPR: WSPINK	QUALITY SYMBOLS ∇=0 ∇=0 ∇=0	GENERAL TOLERANCES (UNLESS SPECIFIED)		DIMENSION STYLE	SCALE	DESIGN UNITS	THIRD ANGLE PROJECTION		
				MM/IN		INCH			
		4 PLACES	±	---	+	---	DRAWN BY	DATE	TITLE
		3 PLACES	±	---	±	---	AROBERTSON	2014/04/08	SMA JACK BK RM EDGE LAUNCH .062" PCB SMA-J/BK/PCB, EWR-5375
2 PLACES	±	---	±	---	CHECKED BY	DATE			
1 PLACE	±	---	±	---	2014/04/08	SSS			
0 PLACE	±	---	±	---	APPROVED BY	DATE			
					WSPINK	2014/04/14			
ANGULAR ± 2 °		MATERIAL NO.		DOCUMENT NO.		SHEET NO.			
DRAFT WHERE APPLICABLE MUST REMAIN WITHIN DIMENSIONS		SEE TABLE		SD-73251-934		1 OF 1			
THIS DRAWING CONTAINS INFORMATION THAT IS PROPRIETARY TO MOLEX. INCORPORATED AND SHOULD NOT BE USED WITHOUT WRITTEN PERMISSION									