

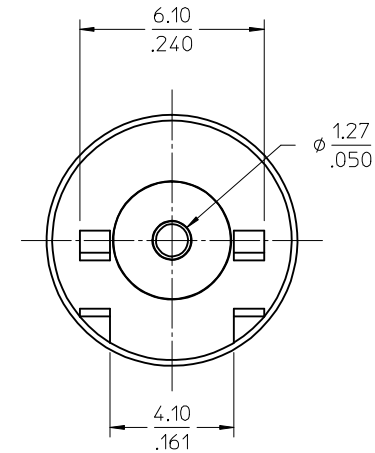
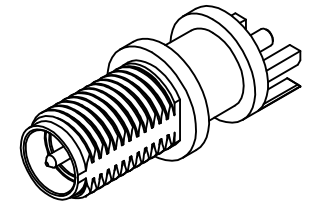
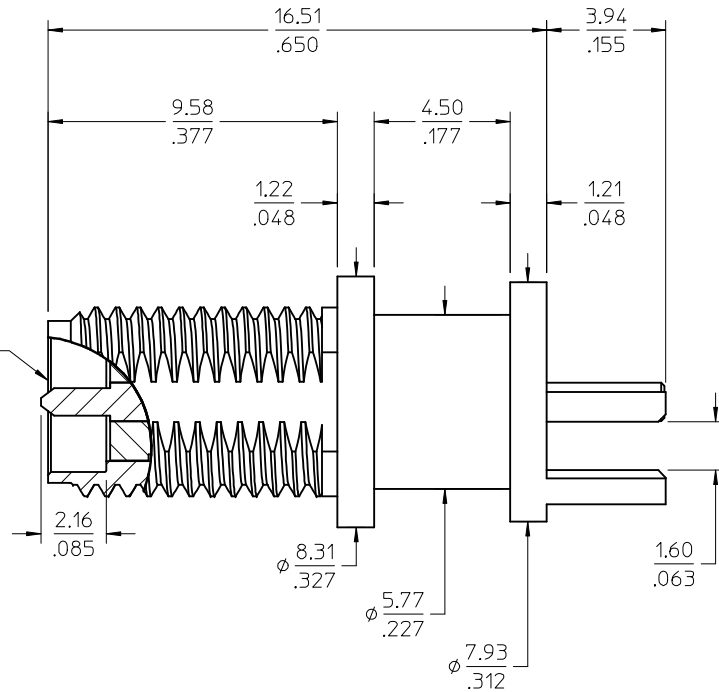
MATERIALS AND FINISHES

BODY BRASS  
PLATED NICKEL

CENTER CONTACT BRASS  
PLATED GOLD

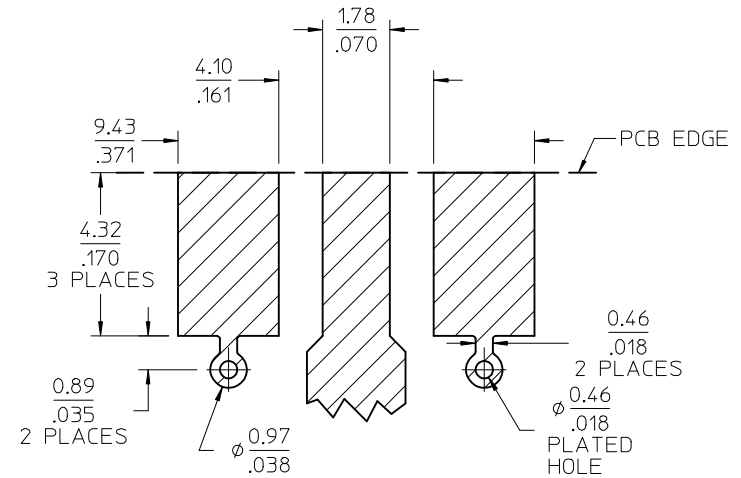
INSULATOR TEFLON

SMA JACK  
REVERSE POLAR  
INTERFACE



RECOMMENDED PAD LAYOUT

BASE WIDTH: 6.10(.240) NOM.  
BOARD THICKNES: 1.40(.055) NOM.  
BOARD MATERIAL: FR4 W/1.0 OZ  
COPPER BOTH  
SIDES



73251-2320	TRAY
PART NO	PACKAGING

CHG: ADD RECOMMENDED PAD LAYOUT PER RF14-E073 EC NO: URF2014-0399 DRWR:YEH 2014/01/06 CHKD: APPR:MHUANG 2014/01/15 REV: A1	QUALITY SYMBOLS	GENERAL TOLERANCES (UNLESS SPECIFIED)	DIMENSION STYLE	SCALE	DESIGN UNITS	THIRD ANGLE PROJECTION
	▽=0	mm INCH	MM/IN	10:1	METRIC	☉
	▽=0	4 PLACES ± .005	DRAWN BY DATE	TITLE		
	▽=0	3 PLACES ± .005	AZR 2003/11/17	SMA JACK, EDGE MOUNT 50 OHMS, REVERSE POLAR EWR-2237 SMA-J/RP/PCB		
	2 PLACES ± .005	CHECKED BY DATE	APPROVED BY DATE			molex
	1 PLACE ± .005	MATERIAL NO. DOCUMENT NO.			SHEET NO.	
	0 PLACE ± .005	ANGULAR ± 2°			SD-73251-232	1 OF 1
DRAFT WHERE APPLICABLE MUST REMAIN WITHIN DIMENSIONS		SEE TABLE			THIS DRAWING CONTAINS INFORMATION THAT IS PROPRIETARY TO MOLEX INCORPORATED AND SHOULD NOT BE USED WITHOUT WRITTEN PERMISSION	