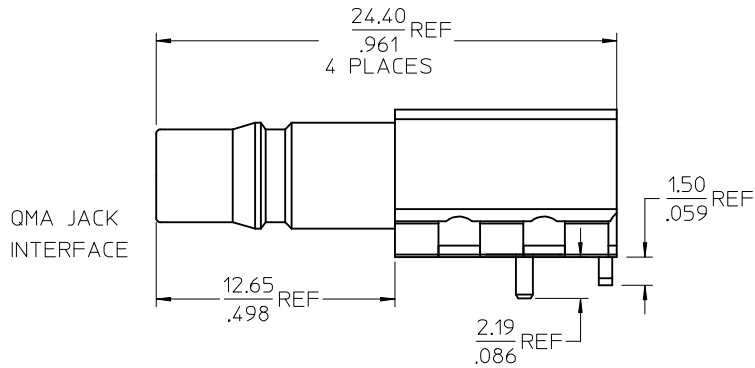
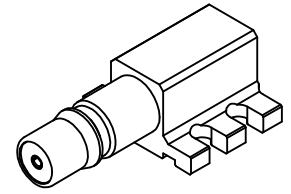


MATERIALS AND FINIHES:

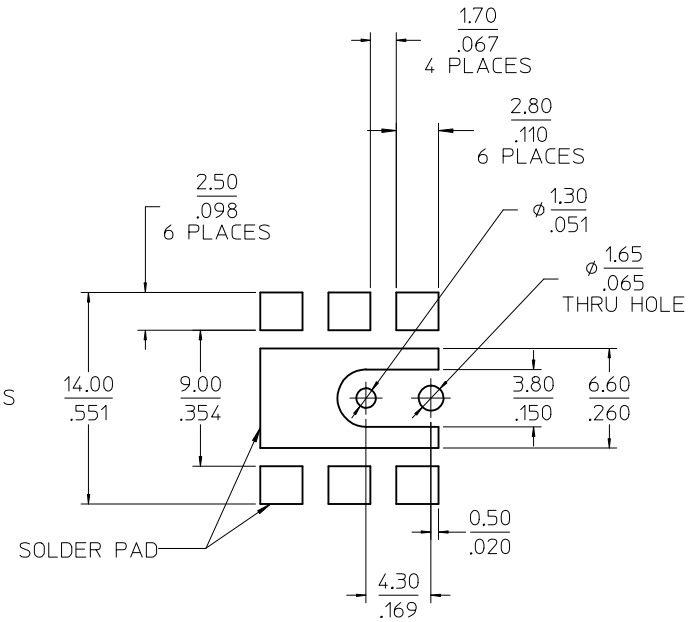
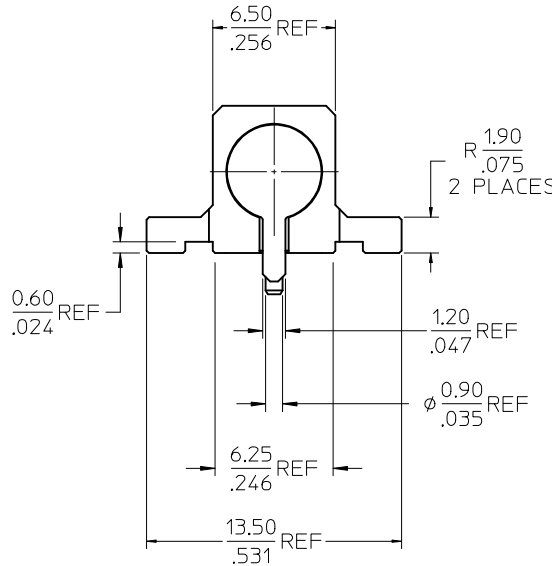
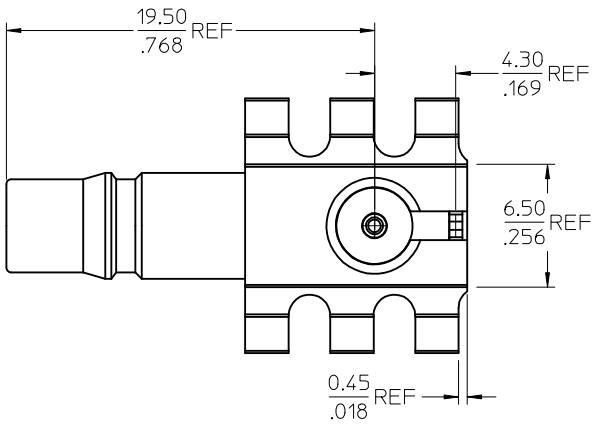
BODY, CAP: BRASS  
PLATED GOLD

INSULATOR: TEFLON

CENTER CONTACT: BERYLLIUM COPPER  
PLATED GOLD



QMA JACK  
INTERFACE



RECOMMENDED PCB LAYOUT

73254-0021	P/N 73254-0020 ONE PER BAG
73254-0020	TRAY
PART NO.	DESCRIPTION

<b>CHG:</b> UPDATE PACKAGING FOR -0020 PER RF15-E231 EC NO: URF2015-0690 DRWR:YEH 2015/06/05 CHKD: APPR:YCHENG 2015/06/09 REV: B3	QUALITY SYMBOLS	GENERAL TOLERANCES (UNLESS SPECIFIED)	DIMENSION STYLE MM/IN	SCALE 5:1	DESIGN UNITS METRIC	THIRD ANGLE PROJECTION
	▽=0	4 PLACES ± --- ± ---	mm INCH	DRAWN BY DATE TEF 2003/03/17	<b>QMA JACK, R/A PCB</b> <b>EWR-1960, 50 OHMS</b> <b>QMA-J/PCB</b> <b>molex</b> DOCUMENT NO. SD-73254-002 SHEET NO. 1 OF 1	THIS DRAWING CONTAINS INFORMATION THAT IS PROPRIETARY TO MOLEX INCORPORATED AND SHOULD NOT BE USED WITHOUT WRITTEN PERMISSION
	▽=0	3 PLACES ± --- ± ---	DRAWN BY DATE SSS 2003/03/17			
	▽=0	2 PLACES ± --- ± ---	CHECKED BY DATE GMH 2003/03/17			
▽=0	1 PLACE ± --- ± ---	APPROVED BY DATE GMH 2003/03/17				
	0 PLACE ± --- ± ---	ANGULAR ± 2 °	MATERIAL NO.	SEE TABLE		
		DRAFT WHERE APPLICABLE MUST REMAIN WITHIN DIMENSIONS	SIZE			