

MATERIALS AND FINISHES:

BODY: BRASS  
 PLATED: SEE TABLE

CONTACT: BERYLLIUM COPPER  
 PLATED: SEE TABLE

INSULATOR: PTFE

ALIGNMENT PLUG: PTFE (-0110 ONLY)

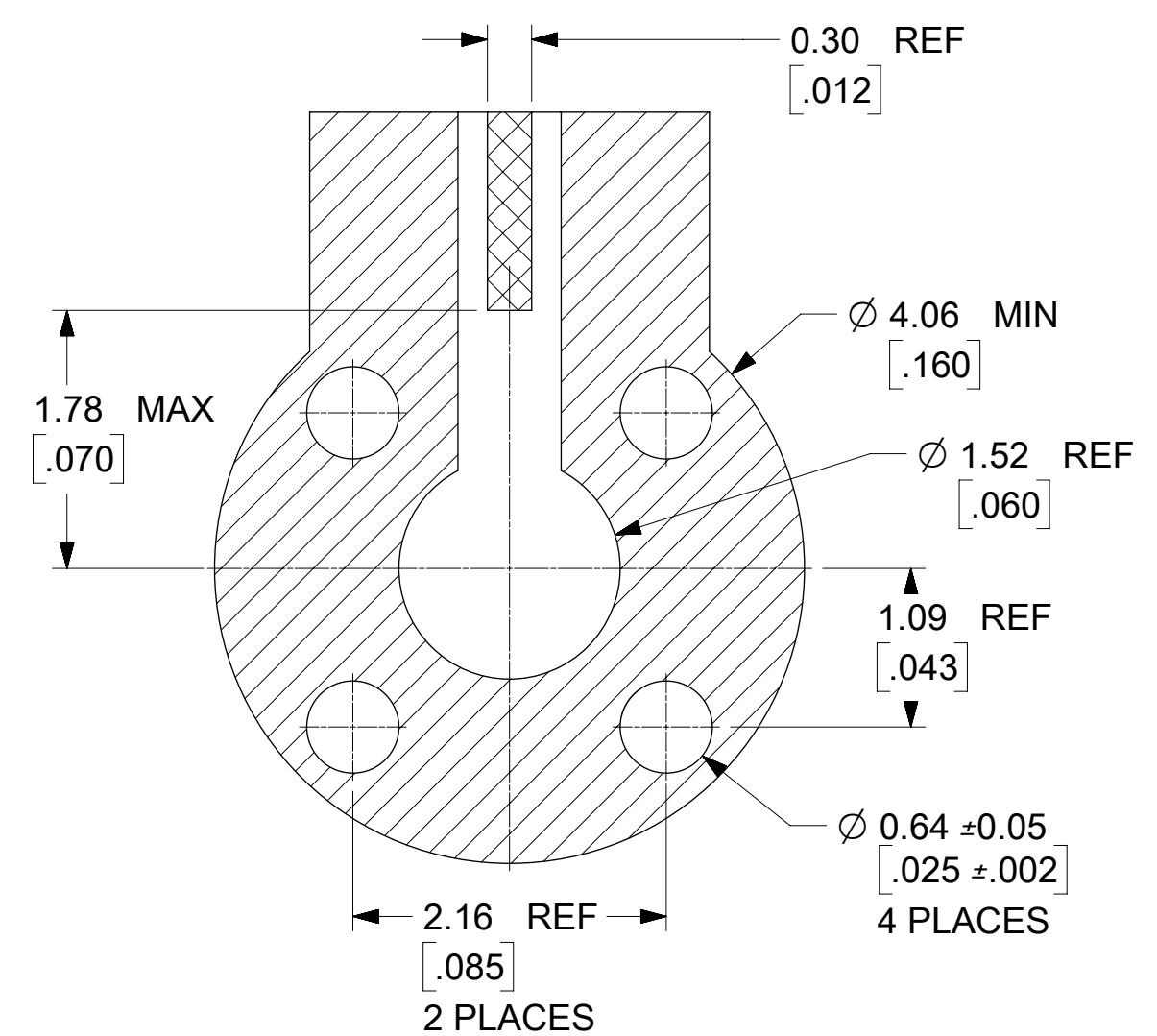
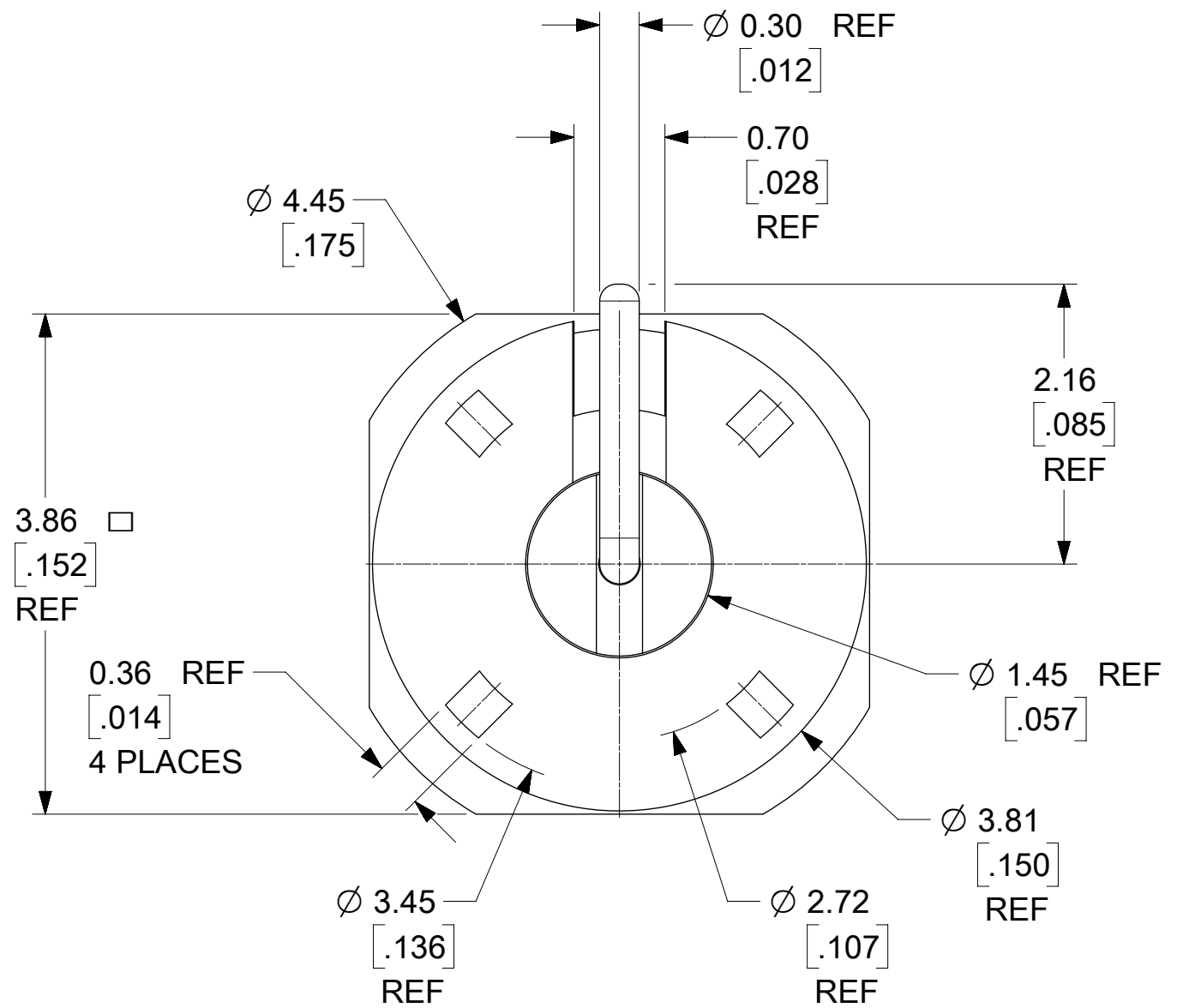
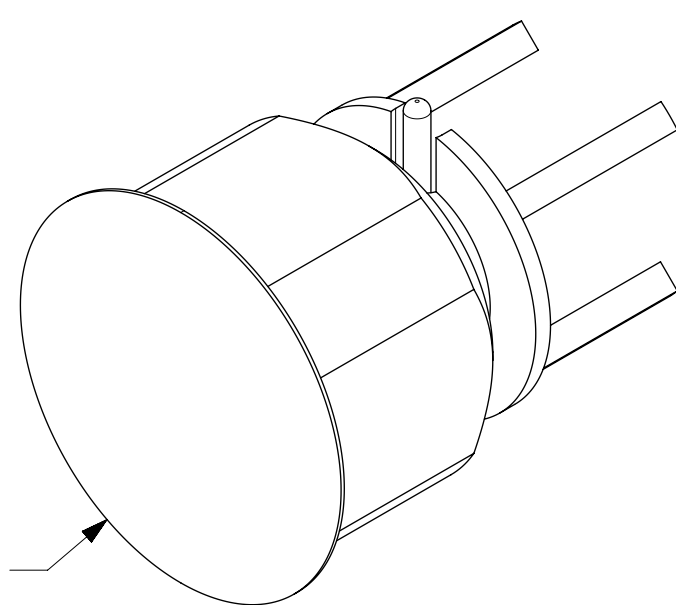
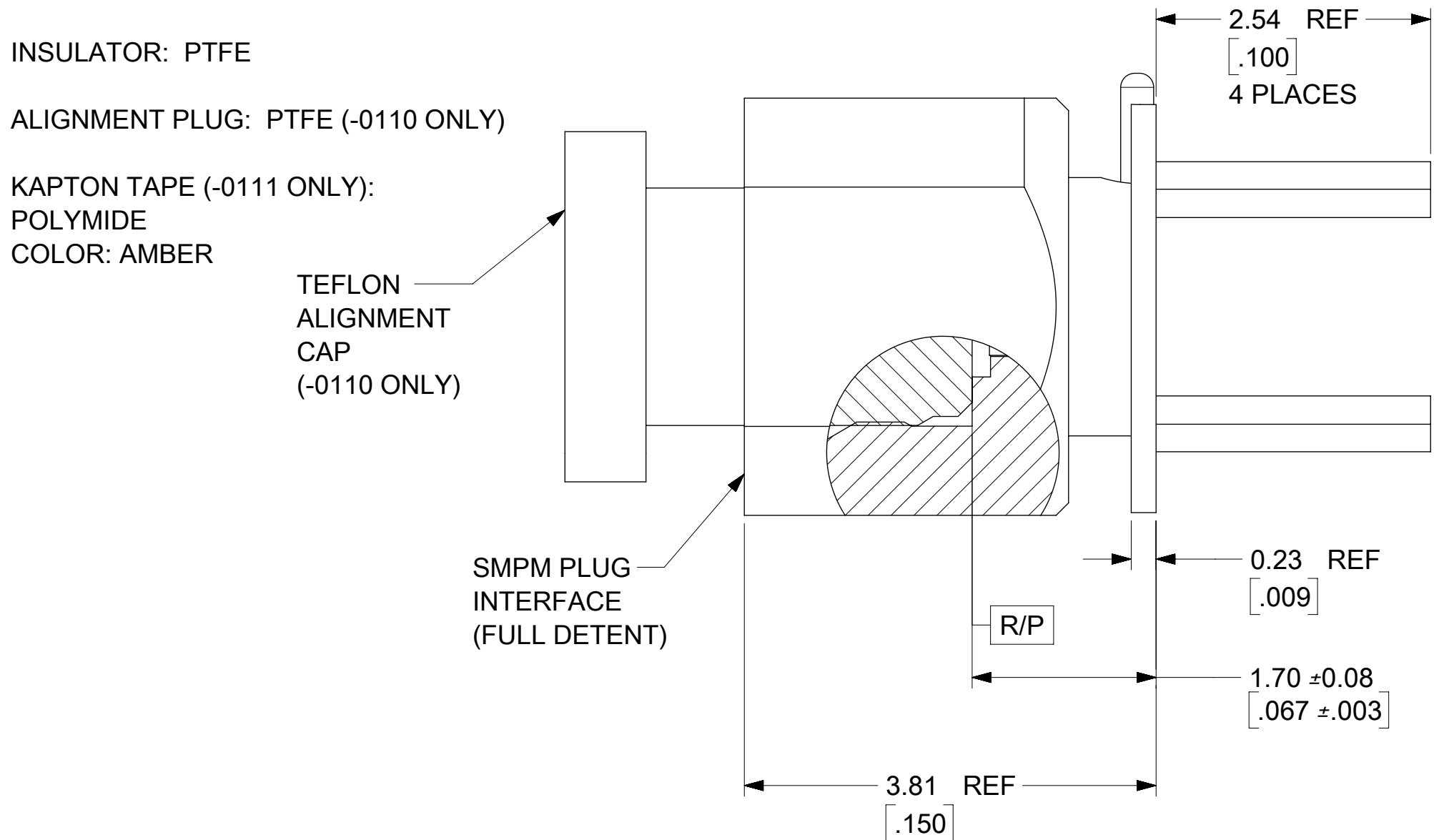
KAPTON TAPE (-0111 ONLY):  
 POLYIMIDE  
 COLOR: AMBER

TEFLON  
 ALIGNMENT  
 CAP  
 (-0110 ONLY)

SMPM PLUG  
 INTERFACE  
 (FULL DETENT)

R/P

KAPTON TAPE  
 (-0111 ONLY)

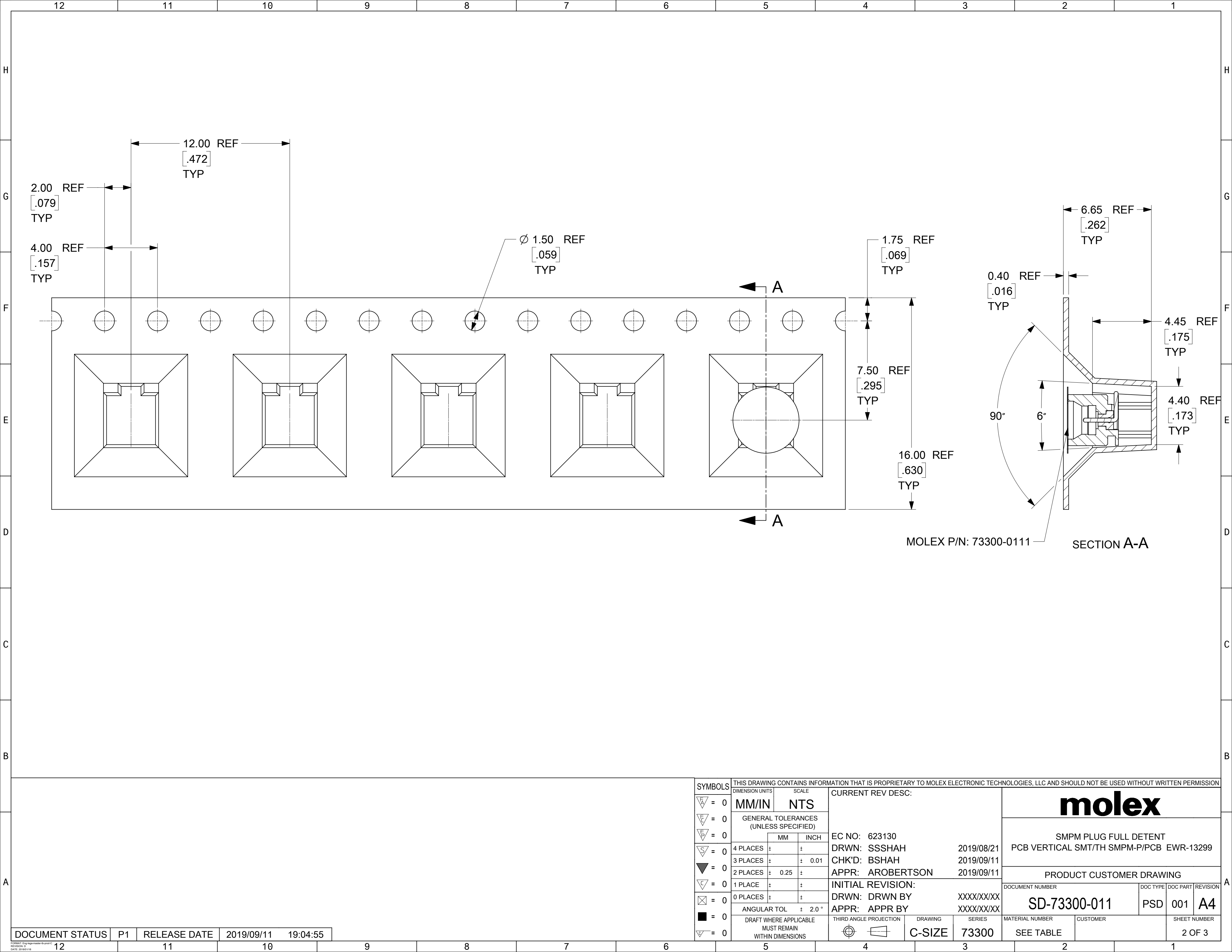


SUGGESTED PCB FOOTPRINT

73300-0111	GOLD (1 µ-in MIN) OVER NICKEL (100 µ-in MIN)	GOLD (10 µ-in MIN) OVER NICKEL (50 µ-in MIN)	TAPE & REEL
73300-0110	GOLD (30 µ-in MIN) OVER NICKEL (100 µ-in MIN)	GOLD (30 µ-in MIN) OVER NICKEL (100 µ-in MIN)	TRAY
PART NO.	BODY PLATING	CONTACT PLATING	PACKAGING

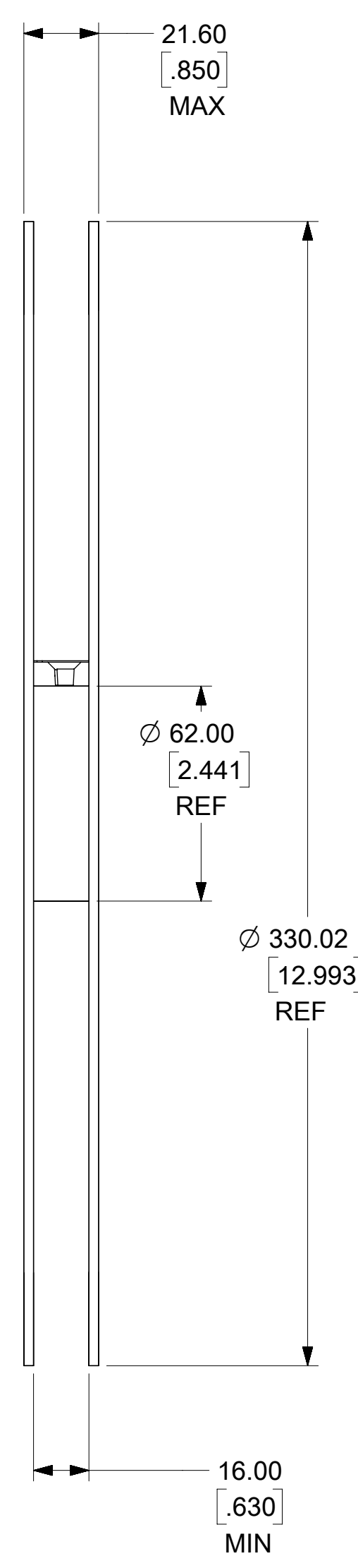
MIL-STD-348B, FIG. 328.2	SMPM PLUG INTERFACE
SPECIFICATION	DESCRIPTION

<b>SYMBOLS</b> DIMENSION UNITS: MM/IN SCALE: NTS GENERAL TOLERANCES (UNLESS SPECIFIED) 4 PLACES ± [ ] [ ] 3 PLACES ± [ ] [ ] 0.01 2 PLACES ± 0.25 [ ] [ ] 1 PLACE ± [ ] [ ] 0 PLACES ± [ ] [ ] ANGULAR TOL ± 2.0 ° DRAFT WHERE APPLICABLE MUST REMAIN WITHIN DIMENSIONS THIRD ANGLE PROJECTION DRAWING SERIES: C-SIZE 73300	THIS DRAWING CONTAINS INFORMATION THAT IS PROPRIETARY TO MOLEX ELECTRONIC TECHNOLOGIES, LLC AND SHOULD NOT BE USED WITHOUT WRITTEN PERMISSION		CURRENT REV DESC: EC NO: 623130 DRWN: SSSHAH 2019/08/21 CHK'D: BSHAH 2019/09/11 APPR: AROBERTSON 2019/09/11 INITIAL REVISION: DRWN: JLEE02 2011/12/19 APPR: JWIENER 2012/08/23					
	SMPM PLUG FULL DETENT PCB VERTICAL SMT/TH SMPM-P/PCB EWR-13299							
	PRODUCT CUSTOMER DRAWING				DOCUMENT NUMBER	DOC TYPE	DOC PART	REVISION
	SD-73300-011				PSD	001	A4	
SEE TABLE				MATERIAL NUMBER		CUSTOMER		
SHEET NUMBER: 1 OF 3								

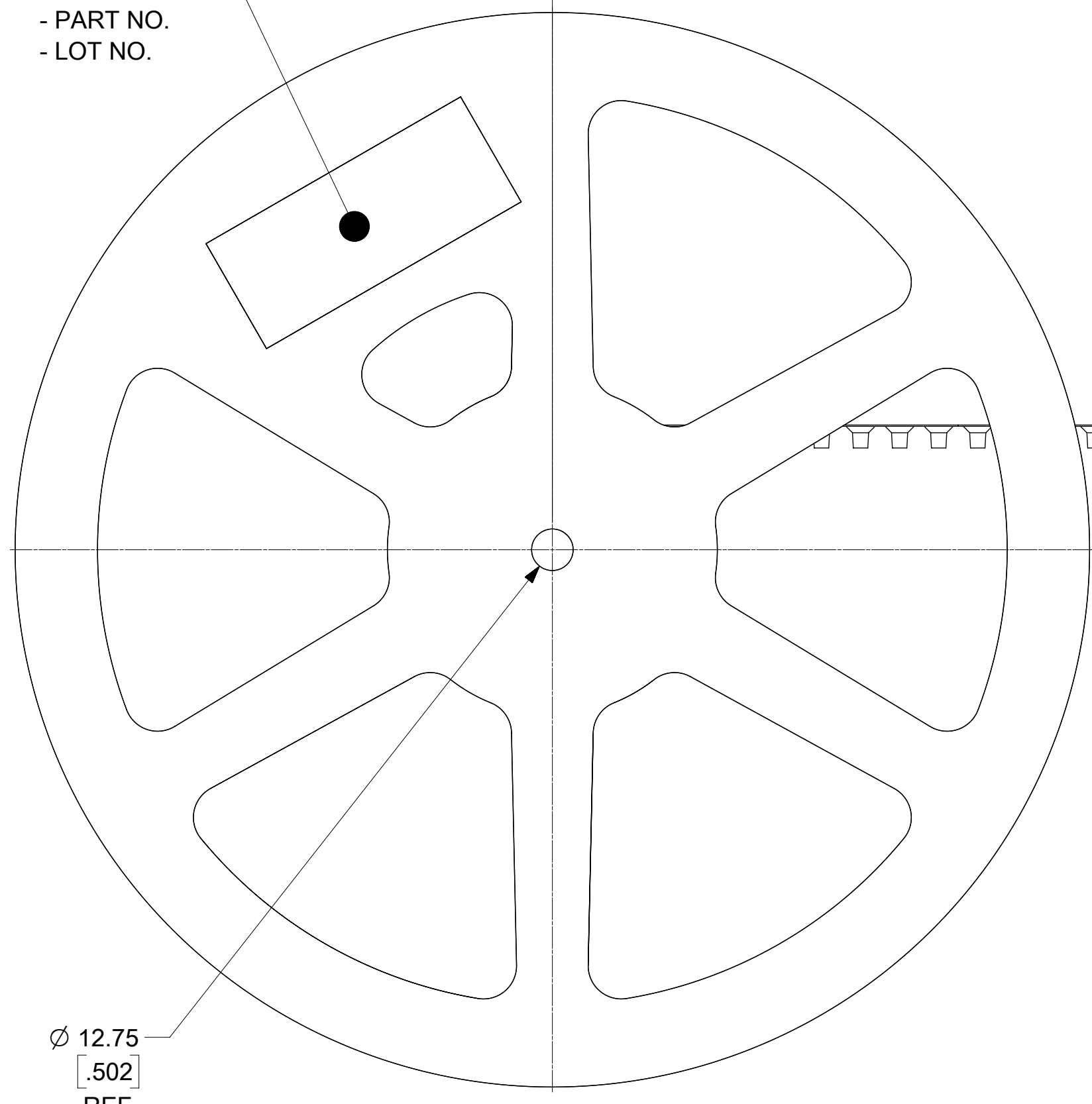


THIS DRAWING CONTAINS INFORMATION THAT IS PROPRIETARY TO MOLEX ELECTRONIC TECHNOLOGIES, LLC AND SHOULD NOT BE USED WITHOUT WRITTEN PERMISSION												
SYMBOLS		DIMENSION UNITS		SCALE		CURRENT REV DESC:						
∇ = 0	MM/IN	NTS				EC NO: 623130						
∇ = 0	GENERAL TOLERANCES (UNLESS SPECIFIED)					DRWN: SSSHAH		2019/08/21				
∇ = 0						CHK'D: BSHAH		2019/09/11				
∇ = 0						APPR: AROBERTSON		2019/09/11				
∇ = 0						INITIAL REVISION:						
∇ = 0						DRWN: DRWN BY		XXXX/XX/XX			DOCUMENT NUMBER <b>SD-73300-011</b>	
∇ = 0						APPR: APPR BY		XXXX/XX/XX				DOC TYPE PSD
∇ = 0	ANGULAR TOL ± 2.0 °					THIRD ANGLE PROJECTION		DRAWING		SERIES		DOC PART 001
∇ = 0	DRAFT WHERE APPLICABLE MUST REMAIN WITHIN DIMENSIONS							C-SIZE		73300		REVISION A4
∇ = 0								SEE TABLE		CUSTOMER		SHEET NUMBER 2 OF 3

DOCUMENT STATUS	P1	RELEASE DATE	2019/09/11	19:04:55
-----------------	----	--------------	------------	----------



LABEL:  
- ORDER NO.  
- QUANTITY  
- PART NO.  
- LOT NO.



250 EMPTY UNITS  
MINIMUM

ORDER QUANTITY PACKET  
WITH 850 COMPONENTS

ORDER QUANTITY PACKET  
WITH 850 COMPONENTS

HANDLING DIRECTION →

230.00  
[9.055]  
MIN

PACKING DESCRIPTION:

1. MATERIAL: PS BLACK - THICKNESS: 0.4 MM
2. COMPONENT LOAD PER 13" REEL: 850 PCS (SHOWN)
3. DIMENSIONS ARE PROVIDED FOR REFERENCES ONLY

<b>SYMBOLS</b> DIMENSION UNITS SCALE CURRENT REV DESC: EC NO: 623130 DRWN: SSSHAH 2019/08/21 CHK'D: BSHAH 2019/09/11 APPR: AROBERTSON 2019/09/11 INITIAL REVISION: DRWN: DRWN BY XXXX/XX/XX APPR: APPR BY XXXX/XX/XX DRAFT WHERE APPLICABLE MUST REMAIN WITHIN DIMENSIONS THIRD ANGLE PROJECTION DRAWING SERIES C-SIZE 73300	THIS DRAWING CONTAINS INFORMATION THAT IS PROPRIETARY TO MOLEX ELECTRONIC TECHNOLOGIES, LLC AND SHOULD NOT BE USED WITHOUT WRITTEN PERMISSION	<b>molex</b> SMPM PLUG FULL DETENT PCB VERTICAL SMT/TH SMPM-P/PCB EWR-13299				
	GENERAL TOLERANCES (UNLESS SPECIFIED)				PRODUCT CUSTOMER DRAWING	
	4 PLACES ± 3 PLACES ± 0.01 2 PLACES ± 0.25 1 PLACE ± 0 PLACES ±	MM INCH ± ± ± 0.25 ± ± ±	DOCUMENT NUMBER <b>SD-73300-011</b>	DOC TYPE <b>PSD</b>	DOC PART <b>001</b>	REVISION <b>A4</b>
	ANGULAR TOL ± 2.0 °	SEE TABLE	MATERIAL NUMBER CUSTOMER	SHEET NUMBER <b>3 OF 3</b>		