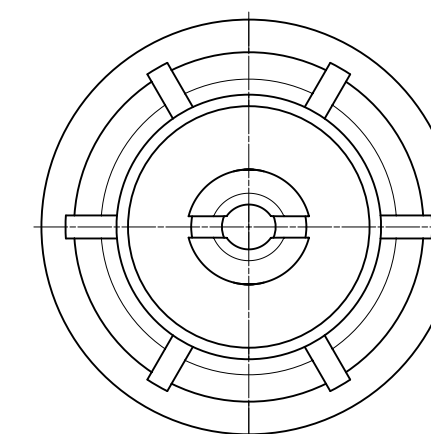
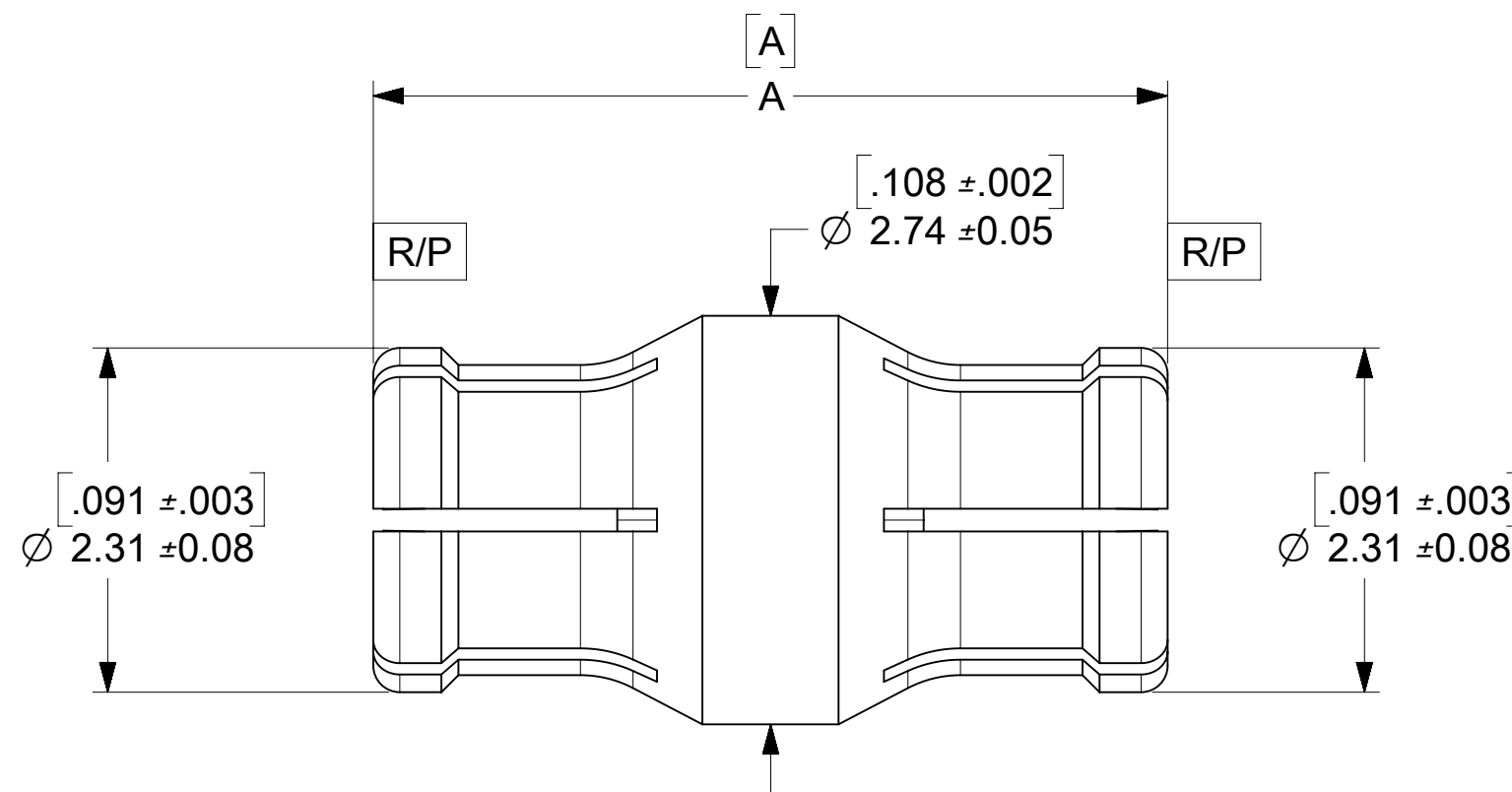
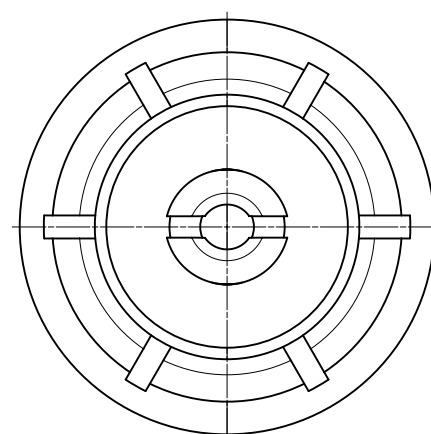
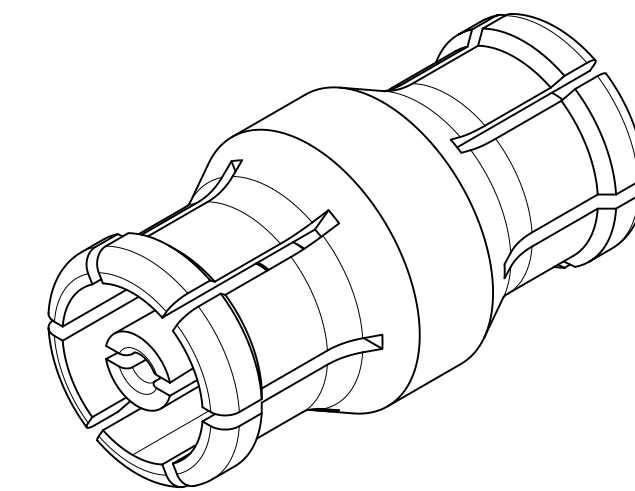


MATERIALS AND FINISHES:

BODY: BERYLLIUM COPPER
 PLATED GOLD PER MIL-G-45204 TYPE II, GRADE C, CLASS 1 (50µ-in MIN)
 OVER NICKEL (50µ-in MIN)

INSULATOR: PTFE

CONTACT: BERYLLIUM COPPER
 PLATED GOLD PER MIL-G-45204 TYPE II, GRADE C, CLASS 1 (50µ-in MIN)
 OVER NICKEL 50 MICRO-IN MIN



VSWR (TYP):
 1.15 TO 18 GHz
 1.25 TO 40 GHz
 1.35 TO 65 GHz

PS-89675-3730	PRODUCT SPECIFICATION
MIL-STD-348B, FIG.79	INTERFACE SMPM SOCKET
SPECIFICATION	DESCRIPTION

73300-0233	.2090±.0010 / 5.309±0.025	TRAY
73300-0232	.4680±.0016 / 11.887±0.038	
73300-0231	.1860±.0016 / 4.724±0.038	
73300-0230	.9060±.0016 / 23.012±0.038	
73300-0229	.5240±.0016 / 13.310±0.038	
73300-0228	.1970±.0016 / 5.004±0.038	
73300-0227	.3340±.0016 / 8.484±0.038	
73300-0226	.7500±.0016 / 19.050±0.038	
73300-0225	.5000±.0016 / 12.700±0.038	
73300-0224	.3490±.0016 / 8.865±0.038	
73300-0223	.3270±.0016 / 8.306±0.038	
73300-0222	.2780±.0016 / 7.061±0.038	
73300-0221	.2600±.0016 / 6.604±0.038	
73300-0220	.2100±.0016 / 5.334±0.038	
PART NO.	IN / MM DIM A	PACKAGING

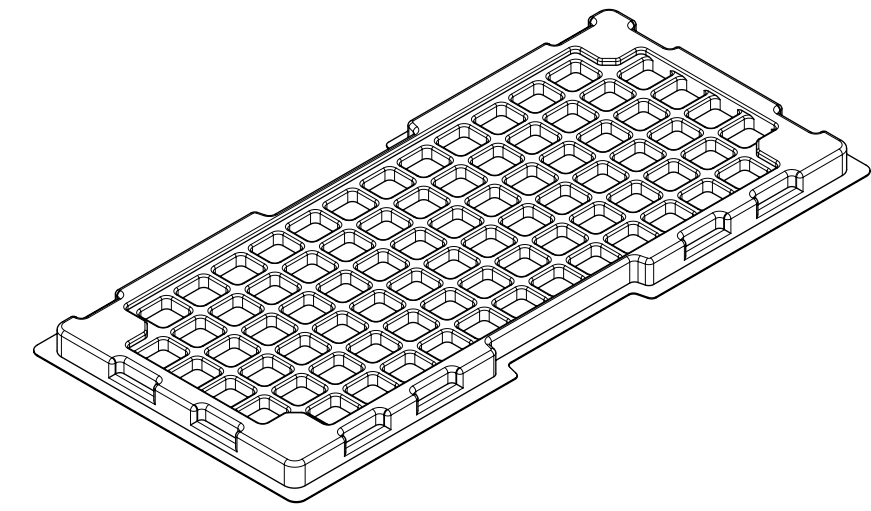
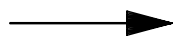
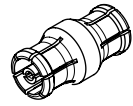
DOCUMENT STATUS	P1	RELEASE DATE	2019/10/24	18:32:34
-----------------	----	--------------	------------	----------

THIS DRAWING CONTAINS INFORMATION THAT IS PROPRIETARY TO MOLEX ELECTRONIC TECHNOLOGIES, LLC AND SHOULD NOT BE USED WITHOUT WRITTEN PERMISSION									
SYMBOLS		DIMENSION UNITS	SCALE	CURRENT REV DESC:					
▽ = 0 ▽ = 0 ▽ = 0 ▽ = 0 ▽ = 0 ▽ = 0 ▽ = 0 ▽ = 0 ▽ = 0 ▽ = 0 ▽ = 0		mm		EC NO: 626069 DRWN: SSSHAH 2019/10/21 CHK'D: LMEIER 2019/10/24 APPR: AROBERTSON 2019/10/24					
▽ = 0 ▽ = 0 ▽ = 0 ▽ = 0 ▽ = 0 ▽ = 0 ▽ = 0 ▽ = 0 ▽ = 0 ▽ = 0		GENERAL TOLERANCES (UNLESS SPECIFIED) ANGULAR TOL ± °		INITIAL REVISION: DRWN: RYEH 2017/01/09 APPR: YCHENG 2017/01/16			SMPM JACK/JACK BULLET SMPM-J/J, EWR-12150		
▽ = 0 ▽ = 0 ▽ = 0 ▽ = 0 ▽ = 0 ▽ = 0 ▽ = 0 ▽ = 0 ▽ = 0 ▽ = 0		DRAFT WHERE APPLICABLE MUST REMAIN WITHIN DIMENSIONS		THIRD ANGLE PROJECTION	DRAWING	SERIES	PRODUCT CUSTOMER DRAWING		DOCUMENT NUMBER
					C-SIZE	73300	SD-73300-022		DOC TYPE
							SEE TABLE		DOC PART
							1 OF 3		REVISION
							000		A9

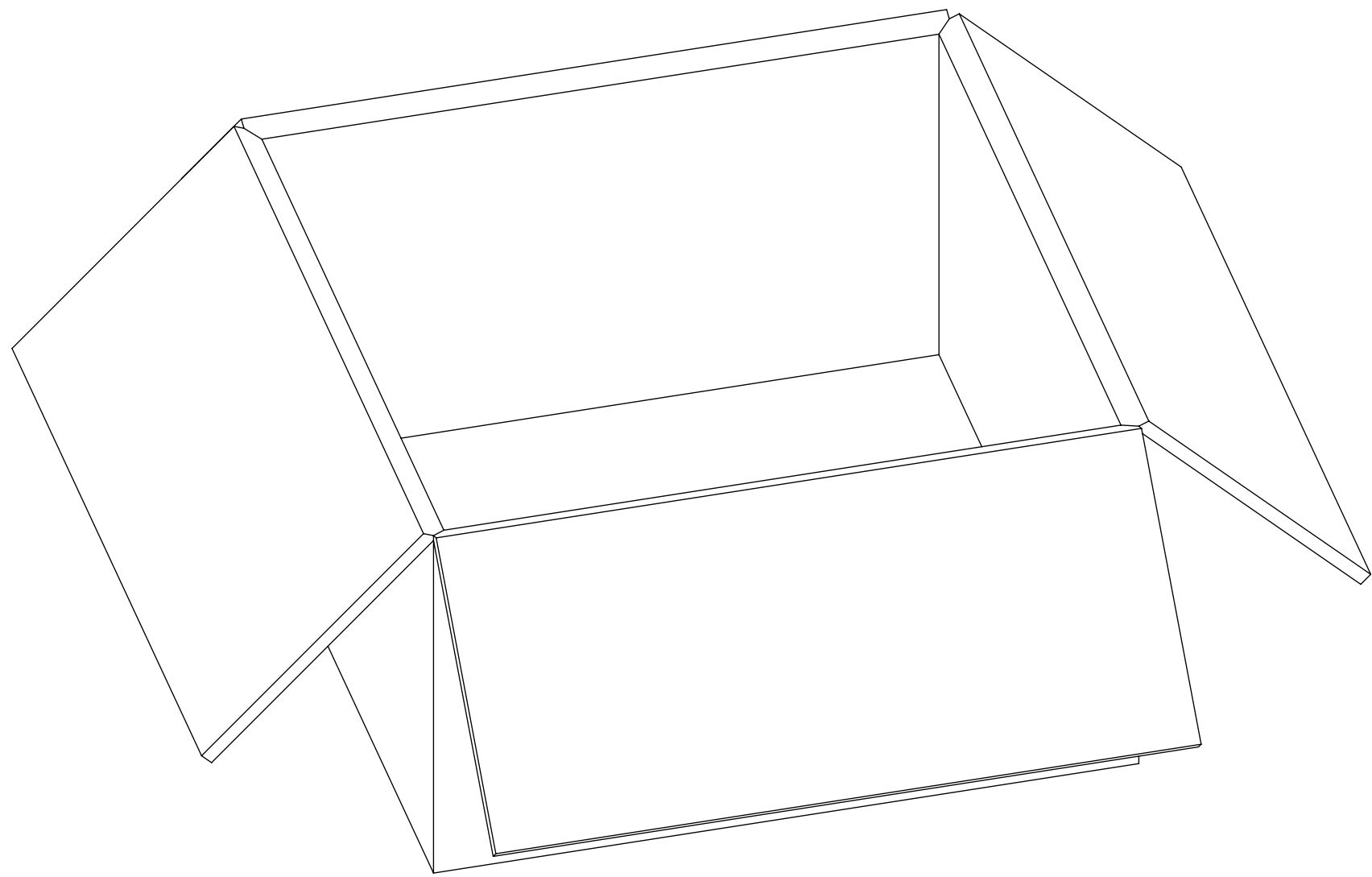
P/N: 73300-0220
 73300-0221
 73300-0222
 73300-0223
 73300-0224
 73300-0225

73300-0227
 73300-0228
 73300-0229

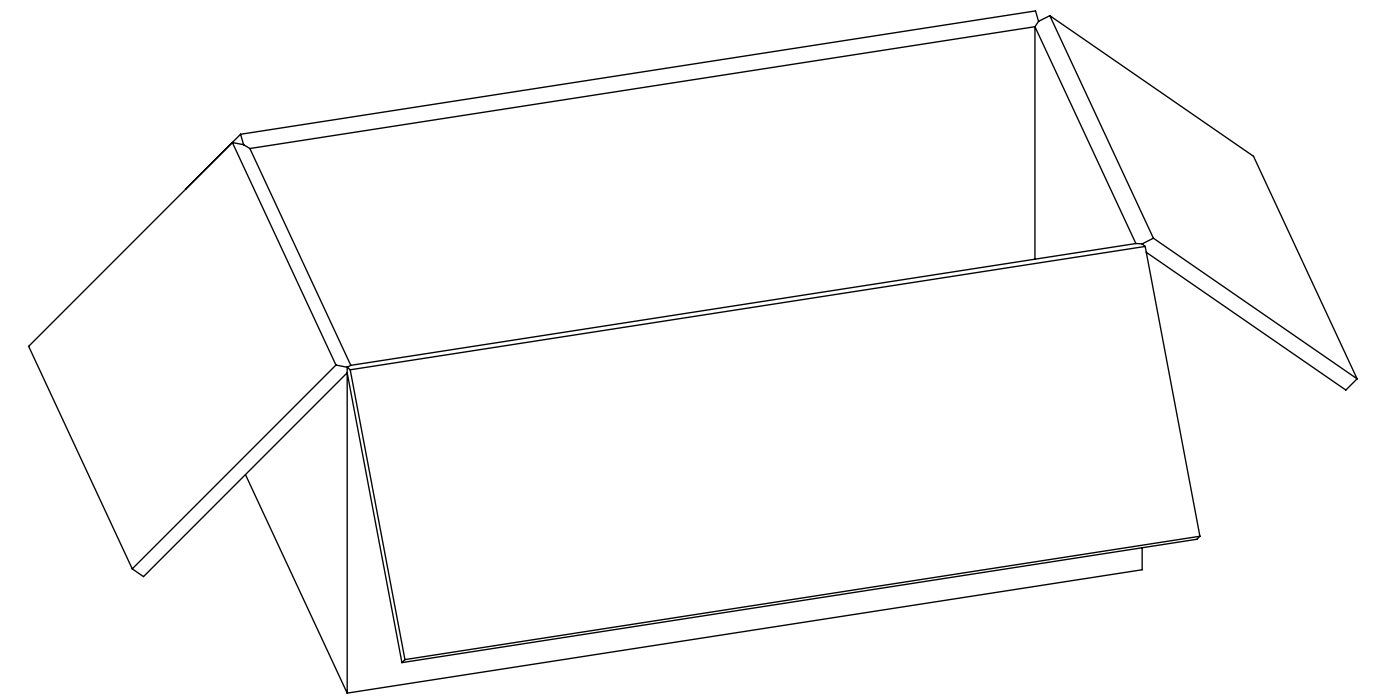
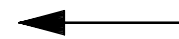
73300-0231
 73300-0232
 73300-0233



80 SETS PER TRAY
 P/N: 89707-0190



3200 SETS PER
 OUTER CARTON BOX
 P/N: 96708-0005

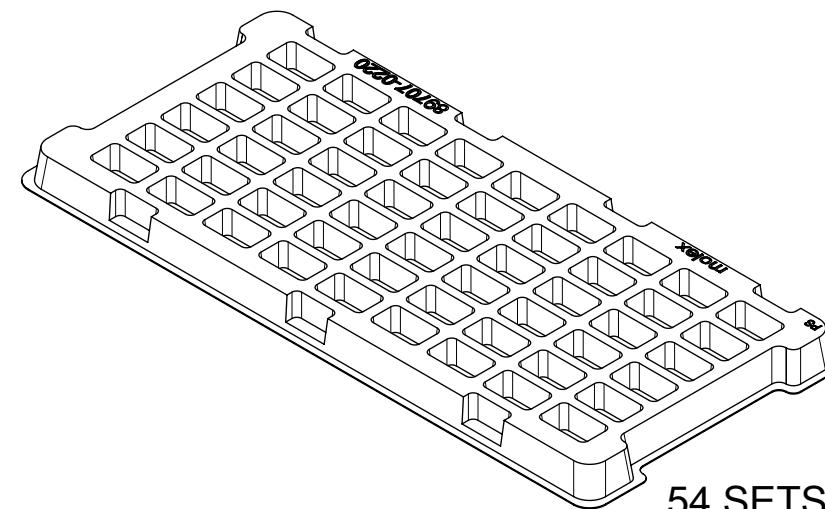
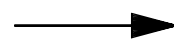
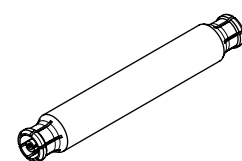


1600 SETS PER
 INNER CARTON BOX
 P/N: 96707-0001

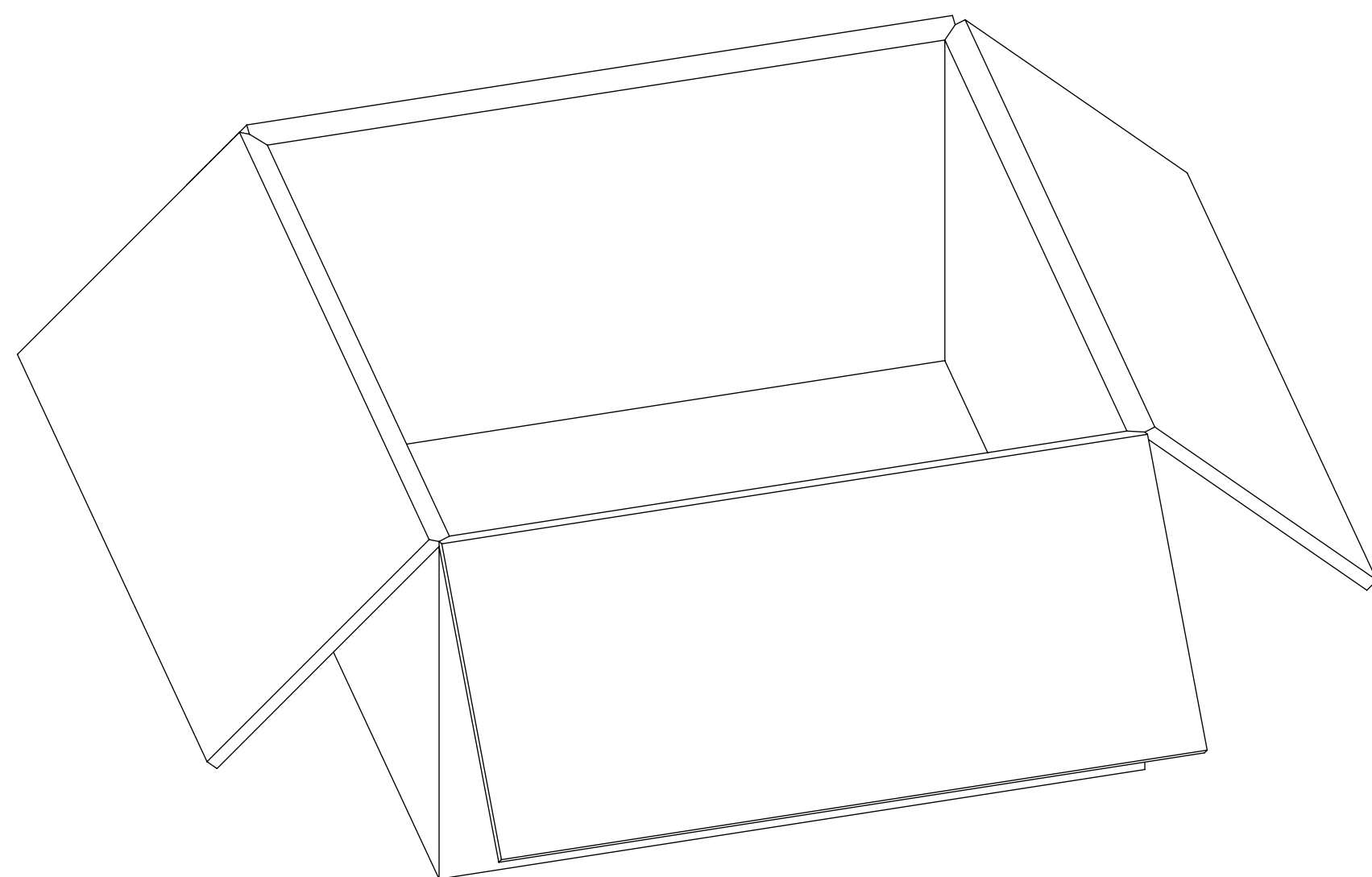
THIS DRAWING CONTAINS INFORMATION THAT IS PROPRIETARY TO MOLEX ELECTRONIC TECHNOLOGIES, LLC AND SHOULD NOT BE USED WITHOUT WRITTEN PERMISSION											
SYMBOLS		DIMENSION UNITS		SCALE		CURRENT REV DESC:				molex	
▽ = 0		mm				EC NO: 626069					
▽ = 0		GENERAL TOLERANCES (UNLESS SPECIFIED)				DRWN: SSSHAH 2019/10/21				DOC TYPE	
▽ = 0		ANGULAR TOL ± °				CHK'D: LMEIER 2019/10/24				DOC PART	
▽ = 0		4 PLACES ±				APPR: AROBERTSON 2019/10/24				REVISION	
▽ = 0		3 PLACES ±				INITIAL REVISION:				SD-73300-022	
▽ = 0		2 PLACES ± 0.25				DRWN: RYEH 2017/01/09				PSD 000 A9	
▽ = 0		1 PLACE ±				APPR: YCHENG 2017/01/16				MATERIAL NUMBER	
▽ = 0		0 PLACES ±				THIRD ANGLE PROJECTION		DRAWING		CUSTOMER	
▽ = 0		DRAFT WHERE APPLICABLE MUST REMAIN WITHIN DIMENSIONS				C-SIZE		SERIES		SHEET NUMBER	
▽ = 0						SEE TABLE		73300		2 OF 3	

DOCUMENT STATUS	P1	RELEASE DATE	2019/10/24	18:32:34
-----------------	----	--------------	------------	----------

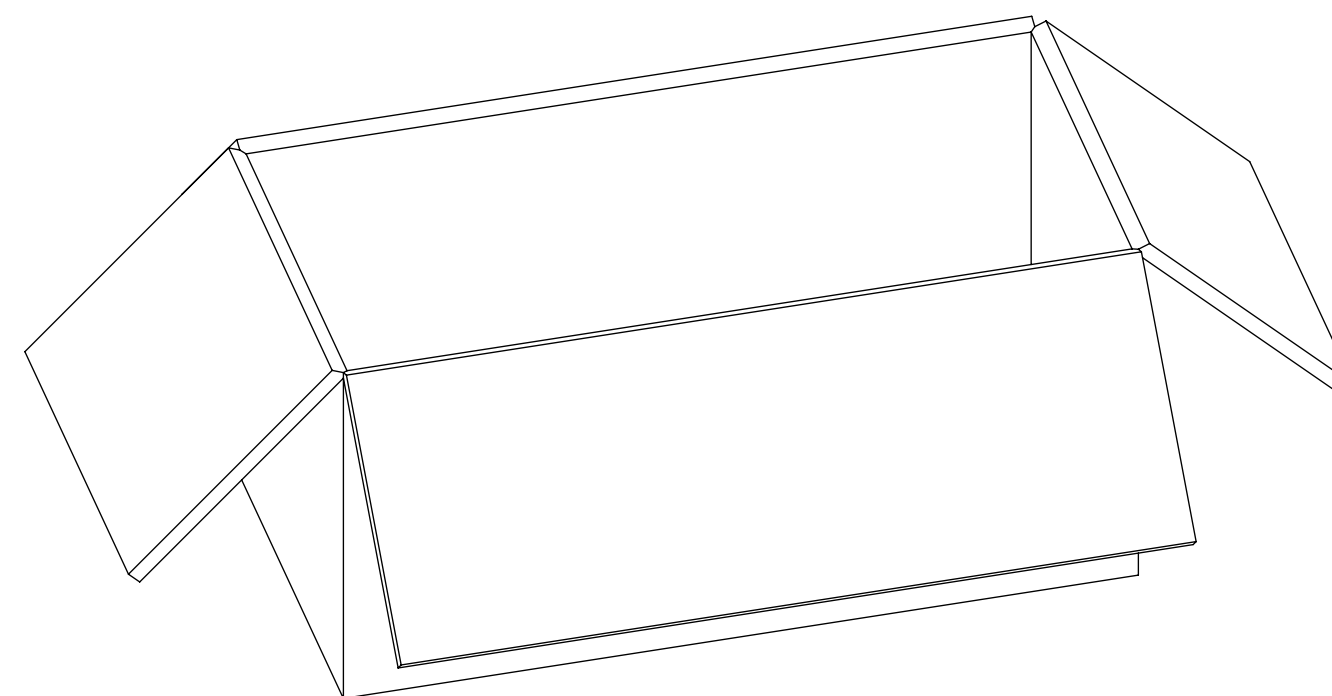
P/N: 73300-0226
73300-0230




54 SETS PER TRAY
P/N: 89707-0220



1080 SETS PER
OUTER CARTON BOX
P/N: 96708-0005



540 SETS PER
INNER CARTON BOX
P/N: 96707-0001

SYMBOLS										THIS DRAWING CONTAINS INFORMATION THAT IS PROPRIETARY TO MOLEX ELECTRONIC TECHNOLOGIES, LLC AND SHOULD NOT BE USED WITHOUT WRITTEN PERMISSION																					
DIMENSION UNITS		SCALE		CURRENT REV DESC:										 SMPM JACK/JACK BULLET SMPM-J/J, EWR-12150 PRODUCT CUSTOMER DRAWING																	
mm				EC NO: 626069		DRWN: SSSHAH 2019/10/21		CHK'D: LMEIER 2019/10/24		APPR: AROBERTSON 2019/10/24		INITIAL REVISION:								DRWN: RYEH 2017/01/09		APPR: YCHENG 2017/01/16									
GENERAL TOLERANCES (UNLESS SPECIFIED)		ANGULAR TOL ± °		4 PLACES ±		3 PLACES ±		2 PLACES ± 0.25		1 PLACE ±		0 PLACES ±		DRAFT WHERE APPLICABLE MUST REMAIN WITHIN DIMENSIONS		THIRD ANGLE PROJECTION		DRAWING		SERIES		DOCUMENT NUMBER		DOC TYPE		DOC PART		REVISION			
▽ = 0		▽ = 0		▽ = 0		▽ = 0		▽ = 0		▽ = 0		▽ = 0		□ = 0		■ = 0		▽ = 0		C-SIZE		73300		SD-73300-022		PSD		000		A9	
DOCUMENT STATUS		P1		RELEASE DATE		2019/10/24		18:32:34		MATERIAL NUMBER		CUSTOMER		SEE TABLE				SHEET NUMBER		3 OF 3											