

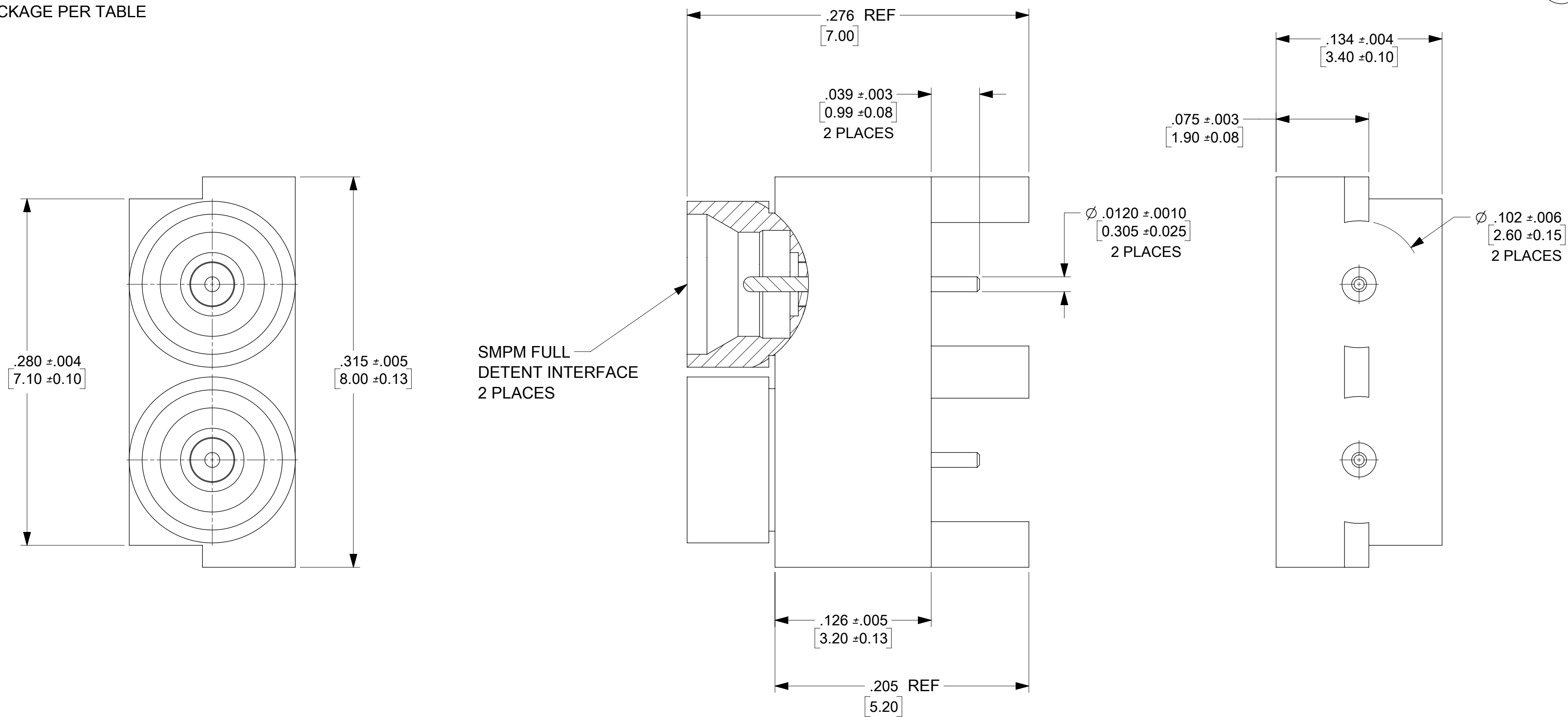
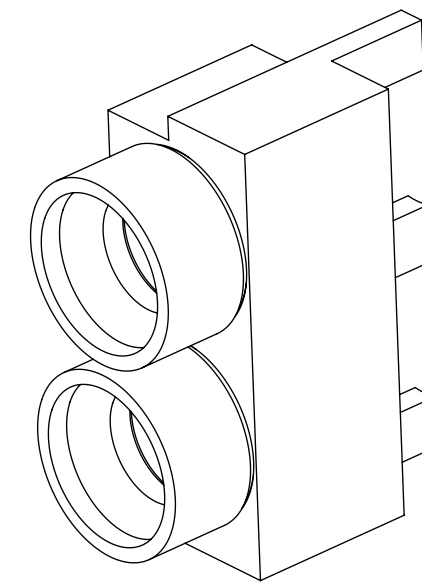
MATERIALS AND FINISHES:

BODY & HOUSING: BRASS
 PLATED: GOLD (30μ-in MIN)
 OVER NICKEL (100μ-in MIN)

CONTACT: BERYLLIUM COPPER
 PLATED: GOLD (30μ-in MIN)
 OVER NICKEL (100μ-in MIN)

INSULATOR: PTFE

PACKAGE PER TABLE



73300-5011	TAPE & REEL	PS-89675-3730	PRODUCT SPEC.
73300-5010	TRAY	MIL-STD-348B, FIG. 328.2	INTERFACE
PART NO.	PACKAGING	SPECIFICATION	DESCRIPTION

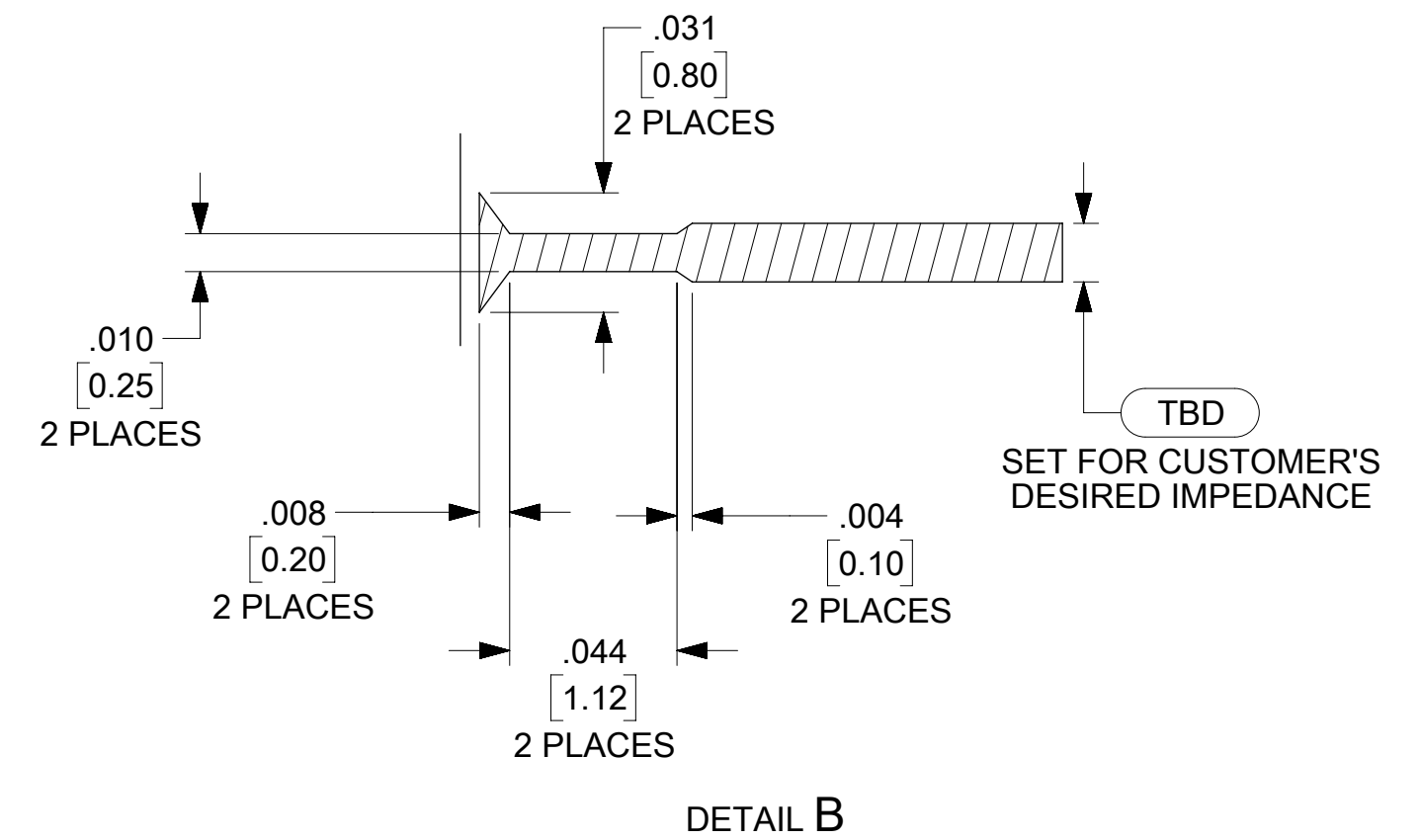
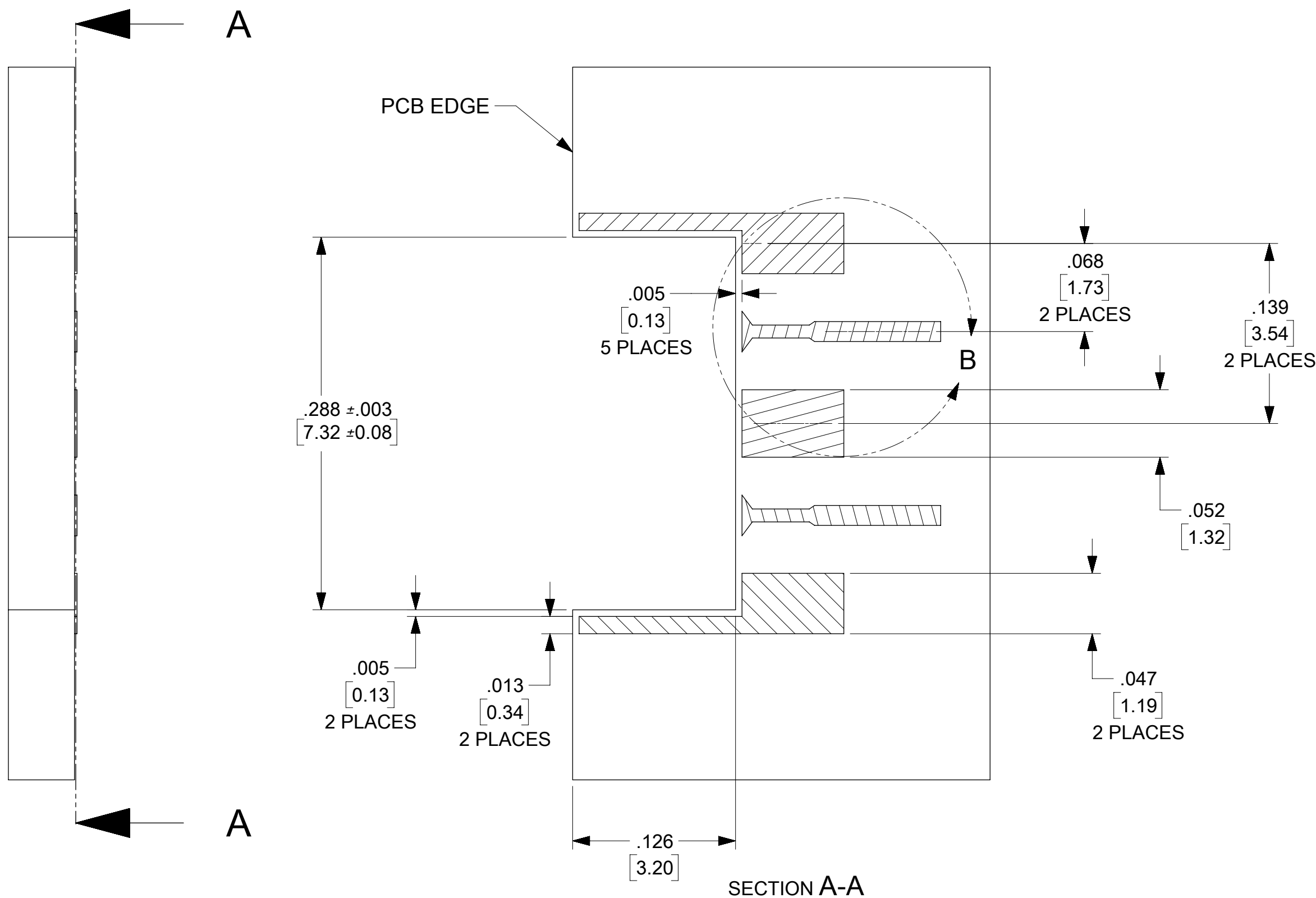
THIS DRAWING CONTAINS INFORMATION THAT IS PROPRIETARY TO MOLEX ELECTRONIC TECHNOLOGIES, LLC AND SHOULD NOT BE USED WITHOUT WRITTEN PERMISSION

QUALITY SYMBOLS ▽ = 0 ▽ = 0 ▽ = 0 ▼ = 0 ▽ = 0 ▽ = 0 ▽ = 0 ▽ = 0	EC NO: 113109 DRWN: APRAKASH01 CHKD: APRAKASH01 REV APPR: AROBERTSON	2017/02/06 2017/03/23 2017/03/23	GENERAL TOLERANCES (UNLESS SPECIFIED)		DIMENSION UNITS	SCALE			
					INCH				
			4 PLACES ±	±	BSHAH	2015/09/09			
			3 PLACES ±	± 0.01	CHK'D BY	DATE			
		2 PLACES ± 0.25	±	PSWAMI02	2016/12/07	PRODUCT CUSTOMER DRAWING			
		1 PLACES ±	±	AROBERTSON	2015/09/09	SERIES	MATERIAL NUMBER	CUSTOMER	
		0 PLACES ±	±			73300	SEE TABLE		
		ANGULAR TOL = 2.0		DRAWING SIZE	THIRD ANGLE PROJECTION	DOCUMENT NUMBER	DOC TYPE	DOC PART	SHEET NUMBER
		DRAFT WHERE APPLICABLE MUST REMAIN WITHIN DIMENSIONS		C		SD-73300-501	PSD	000	1 OF 2

RELEASE STATUS	RELEASE DATE
12	11

NOTES

- 1) THE COPPER IS .005"/0.127mm FROM THE PCB EDGE. FOR PRODUCTION RUNS, MANY PCB HOUSES WILL REQUIRE A SPACING OF .010"/0.254mm FROM COPPER TO THE EDGE. THIS DRAWING IS A COMPROMISE BETWEEN PRODUCTION NEEDS AND OPTIMAL PERFORMANCE.
- 2) THE TRACEWIDTH SHOWN AS TBD SHOULD BE SET BY THE CUSTOMER IN ORDER TO MEET IMPEDANCE REQUIREMENTS.
- 3) THE PADS ARE RECOMMENDATIONS FOR OPENINGS IN THE SOLDERMASK. COPPER MAY EXTEND BEYOND THE PADS SHOWN. PINNING VIAS TO GROUND MUST ALSO BE ADDED AS NEEDED BY THE CUSTOMER.



QUALITY SYMBOLS ▽ = 0 ▽ = 0 ▽ = 0 ▽ = 0 ▽ = 0 ▽ = 0 ▽ = 0 ▽ = 0 ▽ = 0		THIS DRAWING CONTAINS INFORMATION THAT IS PROPRIETARY TO MOLEX ELECTRONIC TECHNOLOGIES, LLC AND SHOULD NOT BE USED WITHOUT WRITTEN PERMISSION		DIMENSION UNITS INCH		SCALE C				
EC NO: 113109 DRWN: APRAKASHO1 CHKD: APRAKASHO1 REV: APPR: AROBERTSON		GENERAL TOLERANCES (UNLESS SPECIFIED) 4 PLACES ± 3 PLACES ± ± 0.01 2 PLACES ± 0.25 ± 1 PLACES ± ± 0 PLACES ± ±		DRWN BY: BSHAH DATE: 2015/09/09		DATE: 2017/02/06 2017/03/23 2017/03/23				
REVISED		ANGULAR TOL = 2.0 DRAFT WHERE APPLICABLE MUST REMAIN WITHIN DIMENSIONS		CHK'D BY: PSWAMI02 DATE: 2016/12/07		APPR BY: AROBERTSON DATE: 2015/09/09		PRODUCT CUSTOMER DRAWING		
C		DRAWING SIZE: C		THIRD ANGLE PROJECTION		SERIES: 73300 MATERIAL NUMBER: SEE TABLE		CUSTOMER:		
RELEASE STATUS: P1 RELEASE DATE: 23.03.2017 13:40:53		DOCUMENT NUMBER: SD-73300-501		DOC TYPE: PSD DOC PART: 000		SHEET NUMBER: 2 OF 2				