

MATERIALS AND FINISHES

BODY BRASS  
PLATED NICKEL

HOUSING BRASS  
PLATED TIN

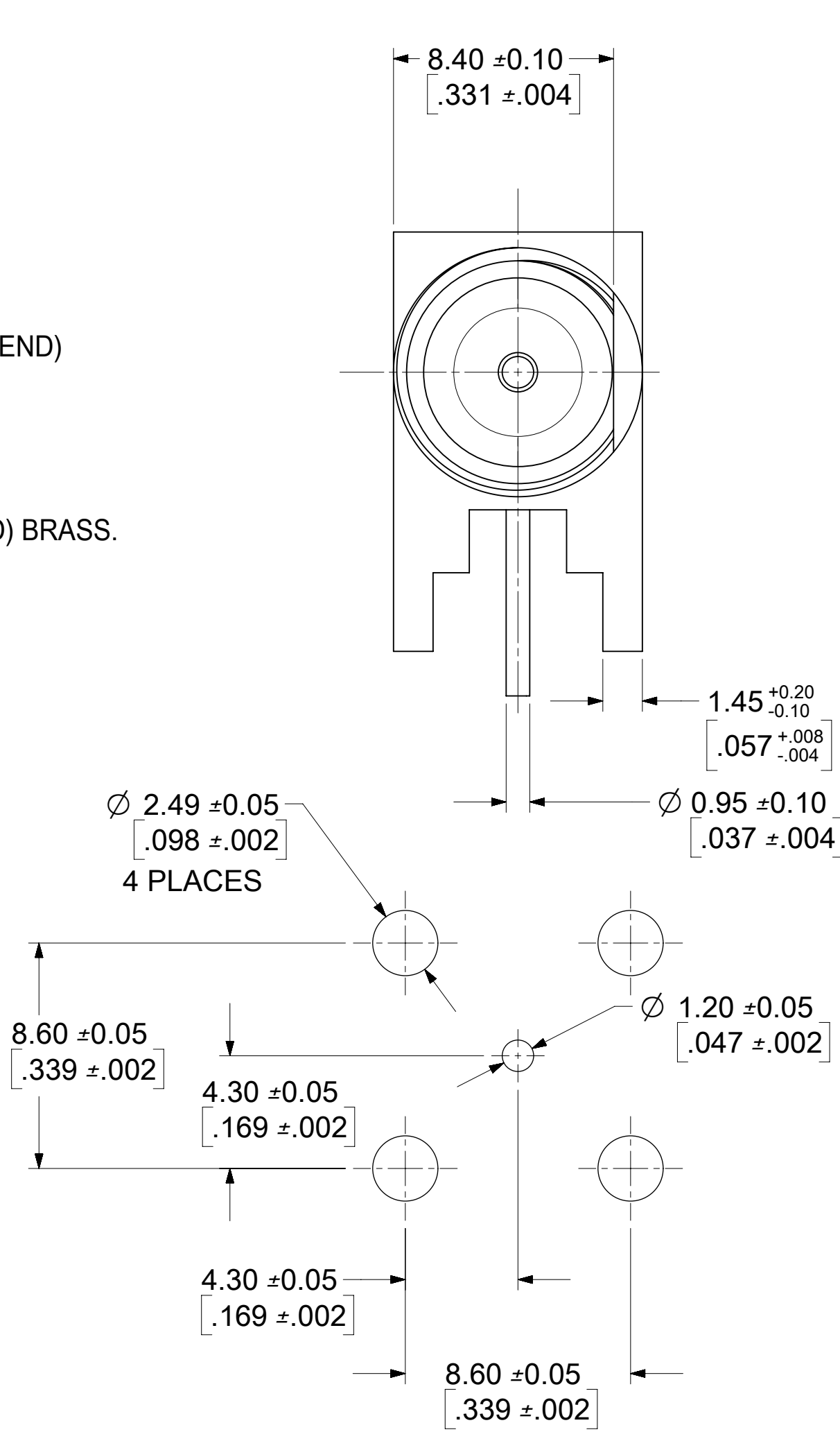
CENTER CONTACT (MATING END)  
PHOSPHOR BRONZE  
PLATED TIN

CENTER CONTACT (PCB END) BRASS.  
PLATED TIN

INSULATOR FRONT P.P./P.E

INSULATOR MIDDLE POM

INSULATOR BOTTOM POM



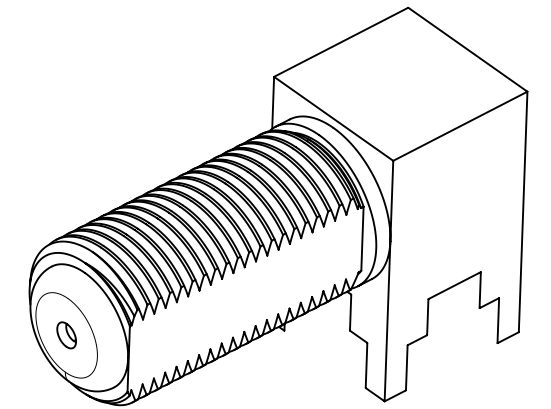
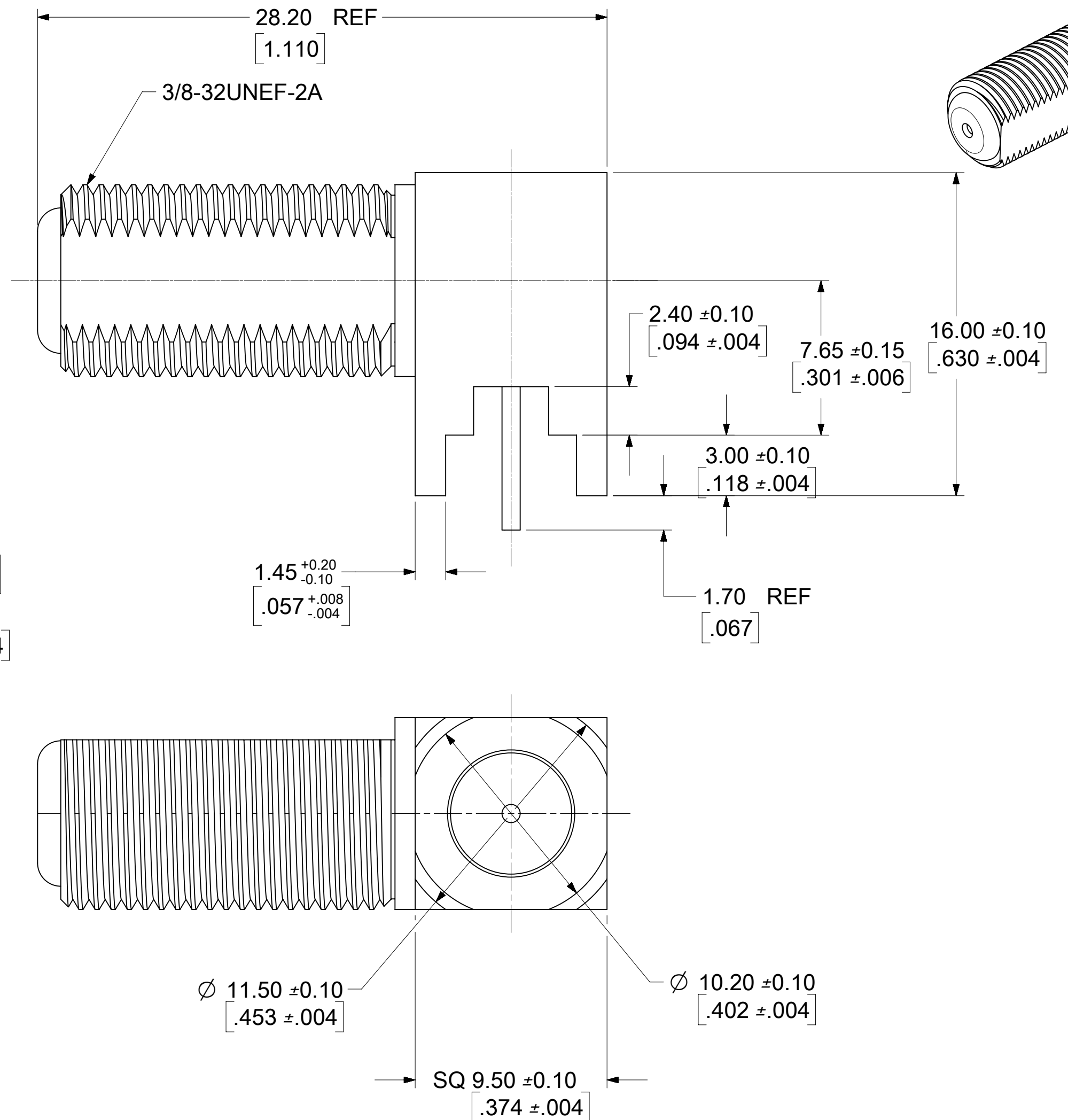
NOTE:  
WAVE SOLDER ONLY

PART NUMBER: 73330-0030

PCB HOLE CONFIGURATION

PS-89675-368	WAVE SOLDER PROFILE
PS-73598-0080	ELECTRO/MECHANICAL PERFORMANCE
SPECIFICATION	DESCRIPTION

REV	DATE	DESCRIPTION
G2	2020/3/23	ADD AND UPDATE EWR NO PER EWR # 13673-A
G1	2020/3/13	ADDED $\varnothing 0.95 \pm 0.1$ DIMENSION PER EWR # 13660-A ADDED $1.45 \pm 0.2 / -0.1$ DIMENSION PER EWR # 13660-A



FUNCTIONAL SYMBOLS	THIS DRAWING CONTAINS INFORMATION THAT IS PROPRIETARY TO MOLEX ELECTRONIC TECHNOLOGIES, LLC AND SHOULD NOT BE USED WITHOUT WRITTEN PERMISSION		CURRENT REV DESC:		<b>molex</b>
$\frac{F}{A} = 0$	DIMENSION UNITS	SCALE	EC NO: 634493		
$\frac{F}{E} = 0$	mm	1:1	DRWN: JSU18		F R/A JACK PCB 75 OHM
$\frac{F}{P} = 0$	GENERAL TOLERANCES (UNLESS SPECIFIED)		CHK'D: YCHENG		F-RA/PCB, EWR # 13673-A
DIVISIONAL SYMBOLS	ANGULAR TOL ± °		APPR: YCHENG		PRODUCT CUSTOMER DRAWING
	4 PLACES	±	INITIAL REVISION:		DOCUMENT NUMBER
	3 PLACES	±	DRWN: ELIN		SD-73330-003
	2 PLACES	±	APPR: MISEN		DOC TYPE
	1 PLACE	±	2006/11/07		PSD
	0 PLACES	±	2004/03/18		001
	DRAFT WHERE APPLICABLE MUST REMAIN WITHIN DIMENSIONS		THIRD ANGLE PROJECTION	DRAWING	REVISION
				C-SIZE	G2
			SERIES	73330	
			MATERIAL NUMBER	GENERAL MARKET	SHEET NUMBER
					1 OF 1