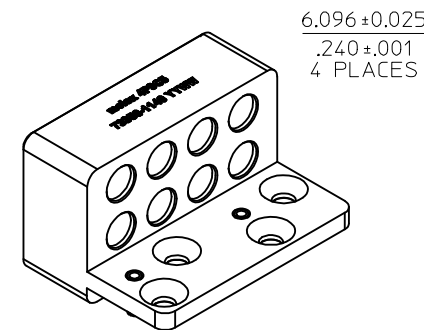
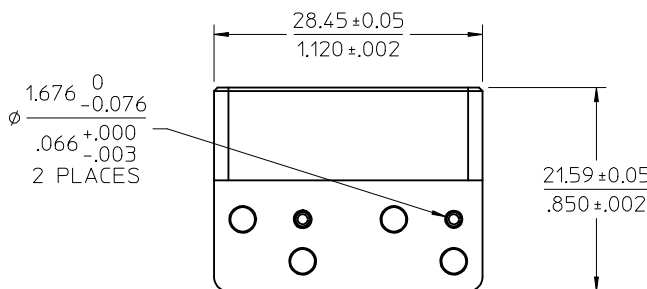
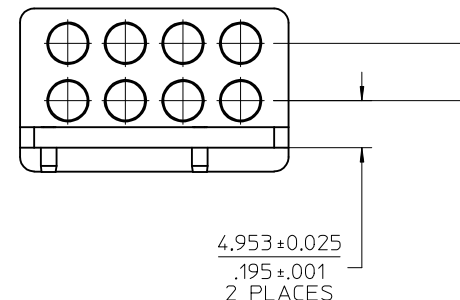
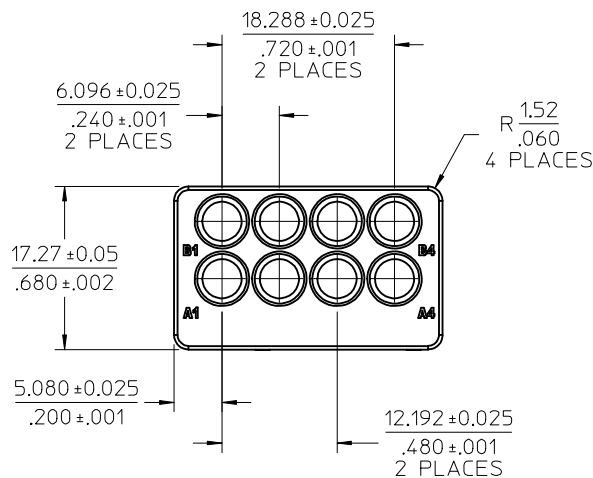
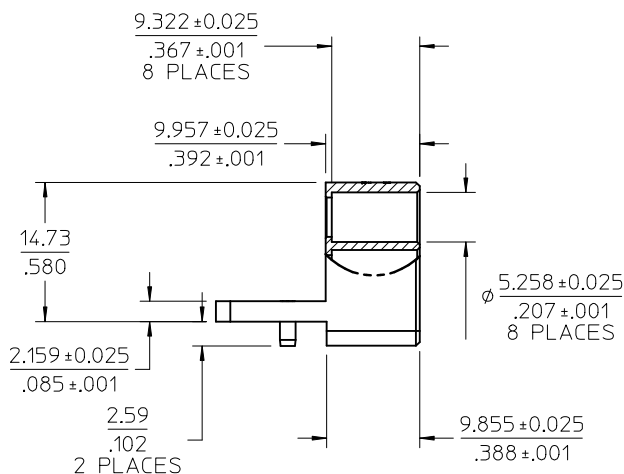
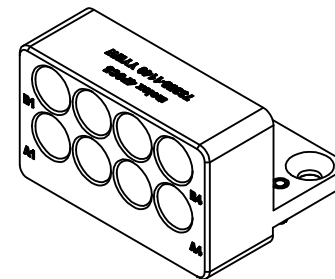
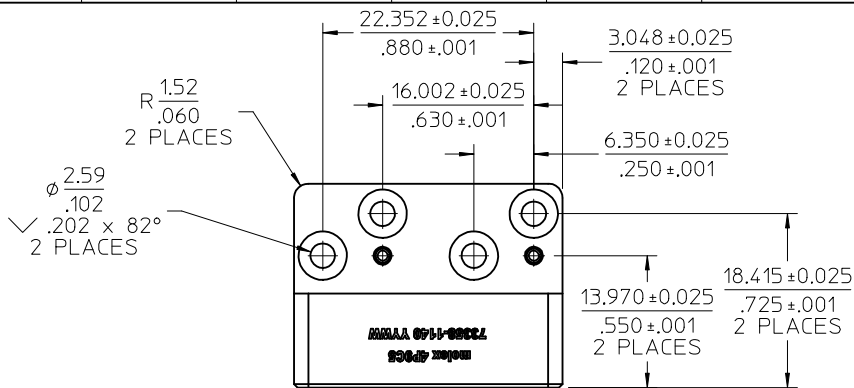


MATERIALS AND FINISHES

HOUSING: STAINLESS STEEL
PASSIVATED

ALIGNMENT PINS: STAINLESS STEEL
PASSIVATED



PART # 73358-1140

SEE PS-89675-470 FOR PCB LAYOUT & PLACEMENT

ANSI/VITA 67.2	NATIONAL STANDARD
PS-89675-470	PRODUCT SPECIFICATION
SPECIFICATION	DESCRIPTION

CHG: UPDATED VIEWS TO SHOW CHANGES TO BLOCK. EC NO: URF2016-0744 DRWN:BSHAH 2016/05/02 CHKD:SSS 2016/05/02 APPR:AROBERTSON 2016/05/04 B1	QUALITY SYMBOLS ▽=0 ▽=0 ▽=0	GENERAL TOLERANCES (UNLESS SPECIFIED) 4 PLACES ± --- ± --- 3 PLACES ± --- ± 0.005 2 PLACES ± 0.13 ± 0.010 1 PLACE ± 0.25 ± --- 0 PLACE ± --- ± --- ANGULAR ± 2° DRAFT WHERE APPLICABLE MUST REMAIN WITHIN DIMENSIONS	DIMENSION STYLE MM/IN DRAWN BY: AROBERTSON DATE: 2013/10/03 CHECKED BY: SSS DATE: 2013/10/03 APPROVED BY: JW IENER DATE: 2013/10/09	SCALE: INCH DESIGN UNITS: INCH THIRD ANGLE PROJECTION	TITLE: VITA 67.2 8 PORT MODULE FOR DAUGHTER CARD SMPM-VITA, EWR-5185 molex	MATERIAL NO: 733581140 DOCUMENT NO: SD-73358-114 SHEET NO: 1 OF 1
	THIS DRAWING CONTAINS INFORMATION THAT IS PROPRIETARY TO MOLEX INCORPORATED AND SHOULD NOT BE USED WITHOUT WRITTEN PERMISSION					
	SIZE: C					
	INCORPORATED AND SHOULD NOT BE USED WITHOUT WRITTEN PERMISSION					