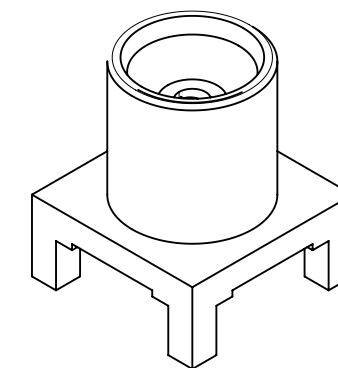
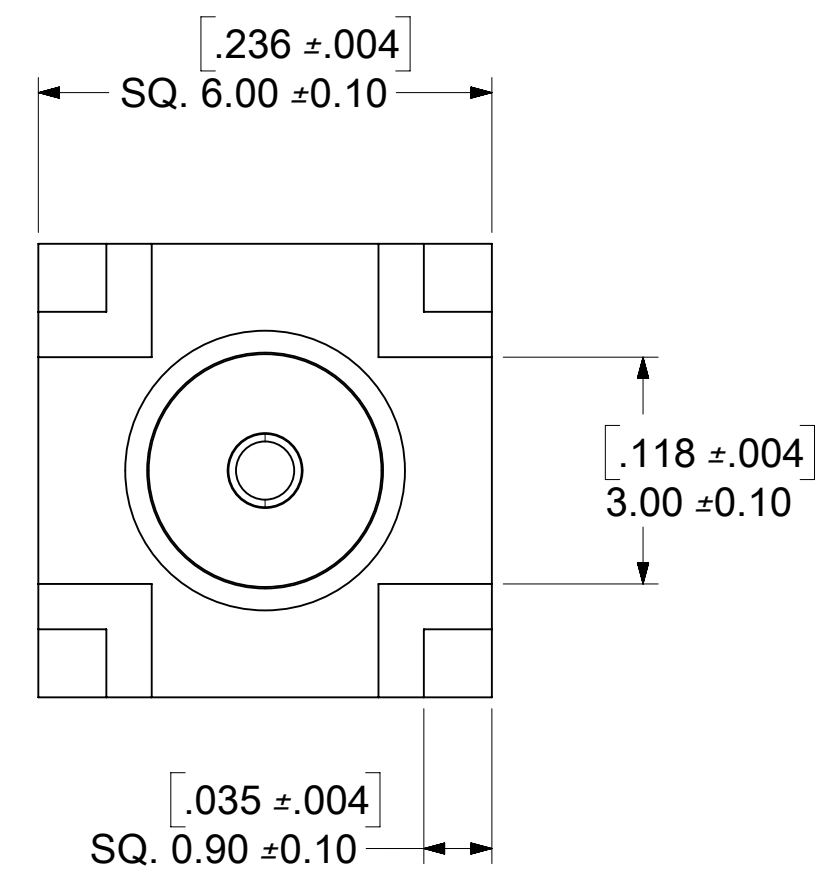
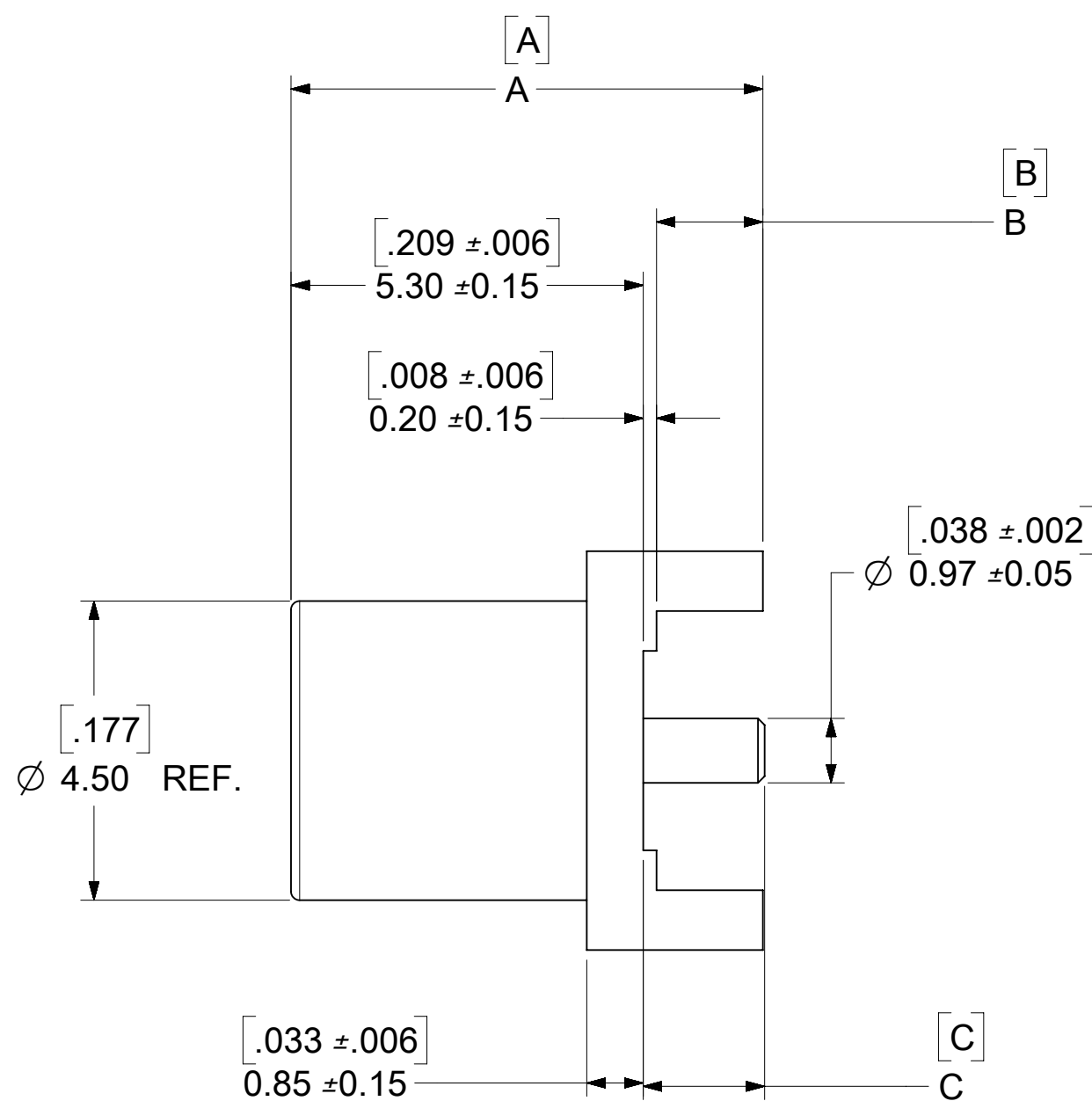
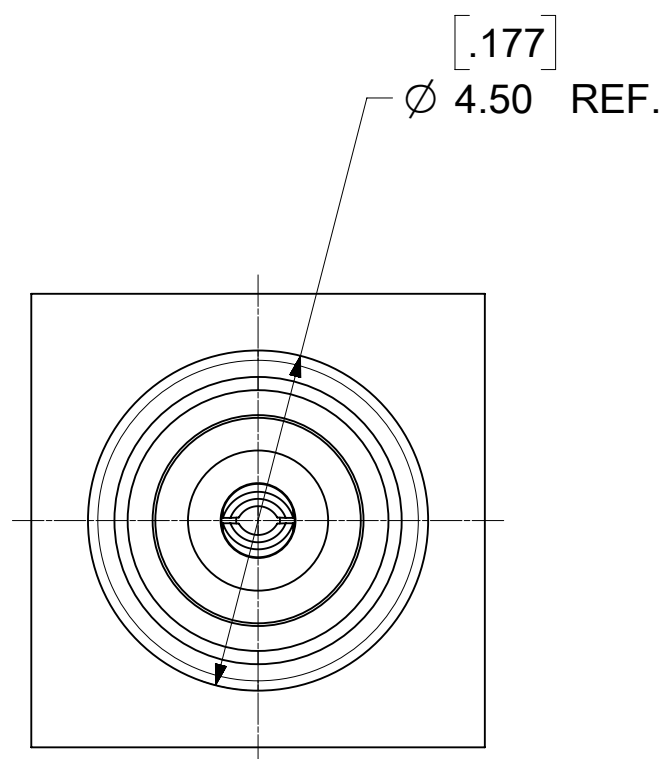


MATERIALS AND FINISHES:

CONTACT: BERYLLIUM COPPER
 PLATED GOLD 30u" MIN. OVER NICKEL 50u" MIN.
 (73366-6190/6191 PLATING SEE TABLE)

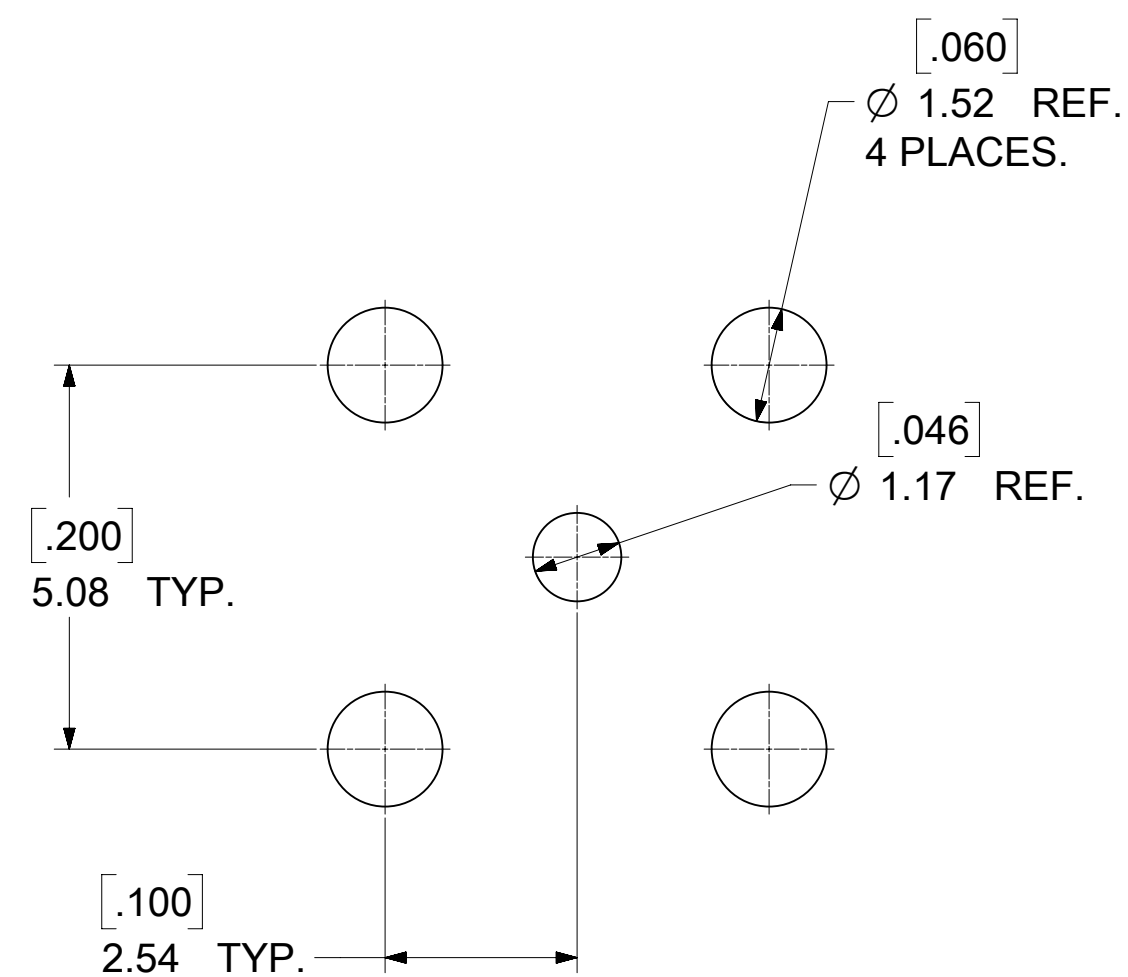
INSULATOR: TEFLON

BODY: BRASS
 PLATED SEE TABLE



SEE SD-73366-619 FOR CONTINUATION OF TABULATION

73366-6192	.280±.006	7.10±0.15	.062±.006	1.58±0.15	.073±.006	1.86±0.15	GOLD 1u" MIN.	CONTACT GOLD 1u" MIN. ; TAPE & REEL
73366-6191	.280±.006	7.10±0.15	.062±.006	1.58±0.15	.073±.006	1.86±0.15	GOLD 1u" MIN.	73366-0061 TAPE & REEL
73366-6190	.579±.006	14.70±0.30	.062±.006	1.58±0.15	.071 REF	1.81 REF	GOLD 1u" MIN.	CONTACT GOLD 10u" MIN. ; TRAY
73366-0069	.280±.006	7.10±0.15	.062±.006	1.57±0.15	.073±.006	1.86±0.15	GOLD 1u" MIN.	1 PC 73366-0061 PER BAG
73366-0068	.280±.006	7.10±0.15	.062±.006	1.57±0.15	.073±.006	1.86±0.15	NICKEL 70u" MIN.	73366-0060 SMALL TRAY
73366-0067	.280±.006	7.10±0.15	.062±.006	1.57±0.15	.073±.006	1.86±0.15	NICKEL 70u" MIN.	1 PC 73366-0060 PER BAG
73366-0066	.236±.006	5.99±0.15	.019±.006	0.50±0.15	.031±.006	0.80±0.15	GOLD 1u" MIN.	73366-0065 TAPE & REEL
73366-0065	.236±.006	5.99±0.15	.019±.006	0.50±0.15	.031±.006	0.80±0.15	GOLD 1u" MIN.	TRAY
73366-0064	.236±.006	5.99±0.15	.019±.006	0.50±0.15	.031±.006	0.80±0.15	NICKEL 70u" MIN.	73366-0063 TAPE & REEL
73366-0063	.236±.006	5.99±0.15	.019±.006	0.50±0.15	.031±.006	0.80±0.15	NICKEL 70u" MIN.	TRAY
73366-0062	.280±.006	7.10±0.15	.062±.006	1.57±0.15	.073±.006	1.86±0.15	NICKEL 70u" MIN.	73366-0060 TAPE & REEL
73366-0061	.280±.006	7.10±0.15	.062±.006	1.57±0.15	.073±.006	1.86±0.15	GOLD 1u" MIN.	TRAY
73366-0060	.280±.006	7.10±0.15	.062±.006	1.57±0.15	.073±.006	1.86±0.15	NICKEL 70u" MIN.	TRAY
PART NO.	IN	MM	IN	MM	IN	MM	PLATING	CONTACT PLATING & PACKAGE
DIM (X)	DIM A		DIM B		DIM C		BODY	



SUGGESTED PCB LAYOUT

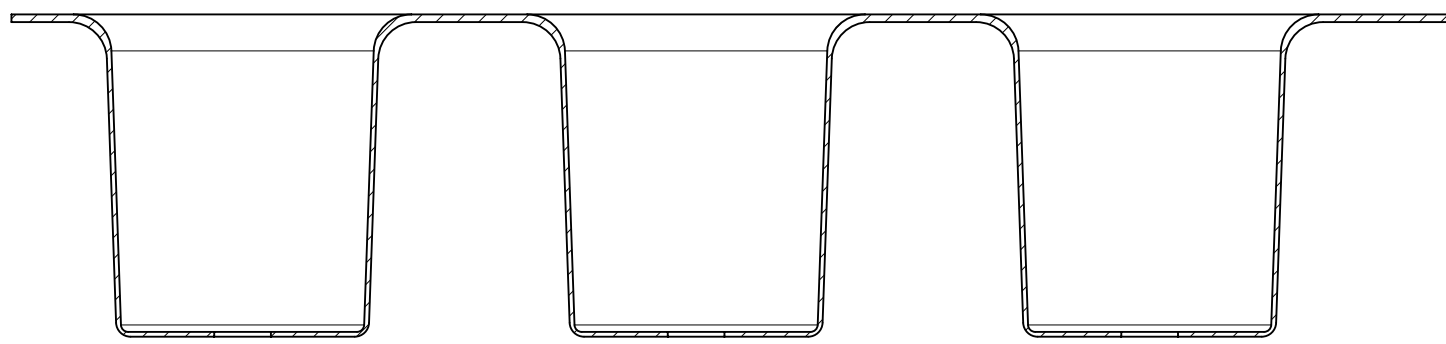
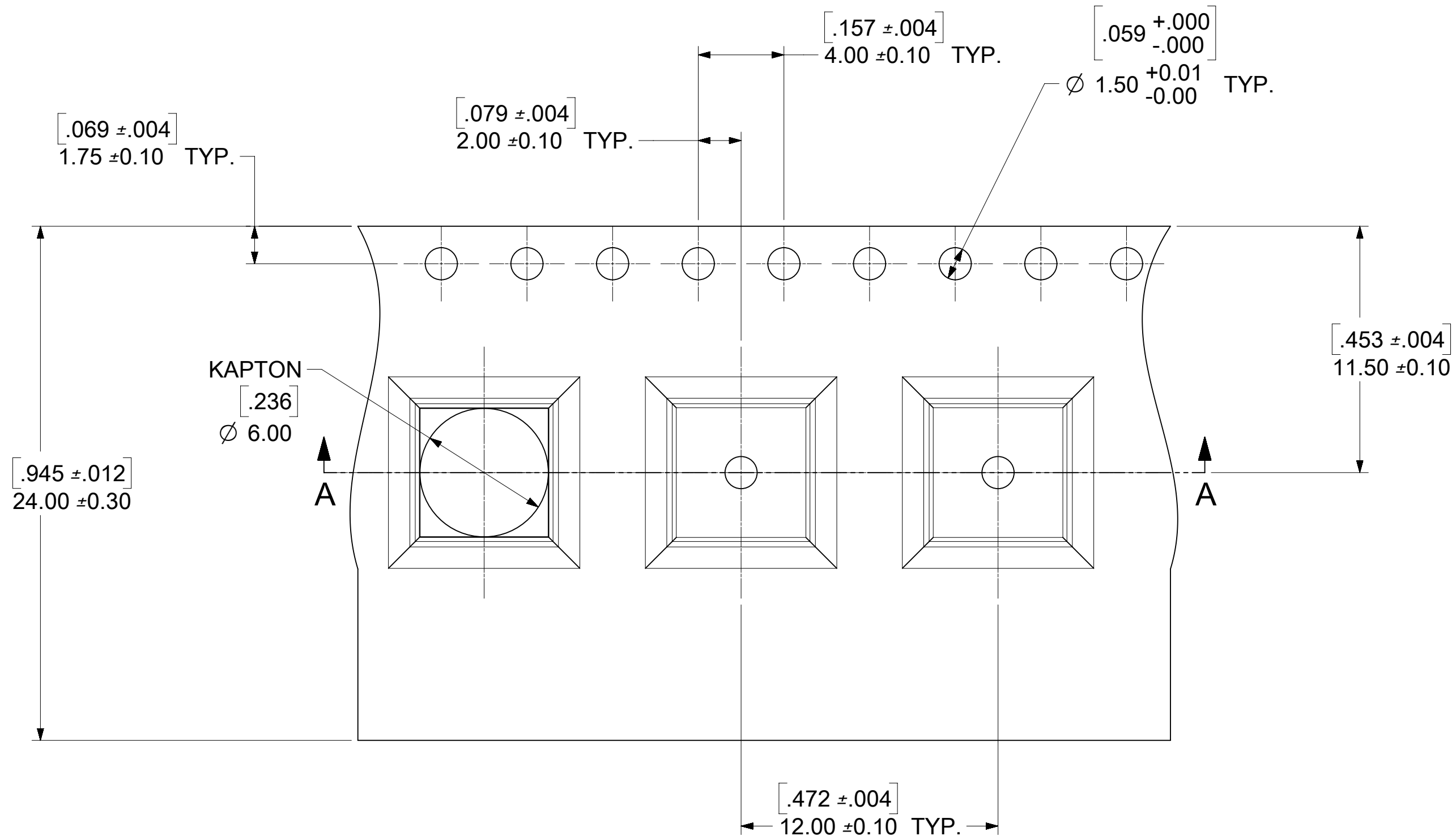
PS-73598-0132	ELECTRO /MECH PERFORM.
SPECIFICATION	DESCRIPTION

DATE	REV.	DESCRIPTION
2020/02/15	C2	ADD PACKING SPEC PER EWR13600-A
2019/01/29	C1	ADD MORE DETAILS ON TABLE PER EWR12842-A
2018/09/03	C	ADDED PLATING PER TRACKER # 12450
2014/03/11	B11	DRAWING ERROR 600 WAS 900 PER RF14-E097

SYMBOLS		THIS DRAWING CONTAINS INFORMATION THAT IS PROPRIETARY TO MOLEX ELECTRONIC TECHNOLOGIES, LLC AND SHOULD NOT BE USED WITHOUT WRITTEN PERMISSION	
DIMENSION UNITS	SCALE	CURRENT REV DESC:	
▽ = 0	HYBRID	EC NO: 632240	
▽ = 0	NTS	DRWN: CWEI02	2020/02/15
▽ = 0	GENERAL TOLERANCES (UNLESS SPECIFIED)	CHK'D: YCHENG	2020/02/24
▽ = 0	ANGULAR TOL ± 2.0°	APPR: YCHENG	2020/02/24
▽ = 0	4 PLACES ±	INITIAL REVISION:	
▽ = 0	3 PLACES ±	DRWN: JTSAO	2006/04/20
▽ = 0	2 PLACES ±	APPR: MISEN	2001/03/01
▽ = 0	1 PLACE ±	THIRD ANGLE PROJECTION	
▽ = 0	0 PLACES ±	DRAWING SERIES	
▽ = 0	DRAFT WHERE APPLICABLE MUST REMAIN WITHIN DIMENSIONS	C-SIZE	73366

molex			
MCX JACK VERT PCB TH 50 OHMS MCX-J/PCB EWR-3263			
PRODUCT CUSTOMER DRAWING			
DOCUMENT NUMBER	DOC TYPE	DOC PART	REVISION
SD-73366-006	PSD	001	C2
MATERIAL NUMBER	CUSTOMER	SHEET NUMBER	
SEE TABLE	GENERAL MARKET	1 OF 3	

NOTE:
 1. TAPE AND REEL PACKAGE
 2. 10 PITCHES CUMULATIVE TOLERANCE ±0.20(.008)



SECTION A-A

SYMBOLS										THIS DRAWING CONTAINS INFORMATION THAT IS PROPRIETARY TO MOLEX ELECTRONIC TECHNOLOGIES, LLC AND SHOULD NOT BE USED WITHOUT WRITTEN PERMISSION																													
DIMENSION UNITS					SCALE					CURRENT REV DESC:																													
= 0					HYBRID NTS					EC NO: 632240					2020/02/15																								
= 0					GENERAL TOLERANCES (UNLESS SPECIFIED)					DRWN: CWEI02					2020/02/24																								
= 0					ANGULAR TOL ± 2.0°					CHK'D: YCHENG					2020/02/24																								
= 0					4 PLACES ±					APPR: YCHENG					2020/02/24																								
= 0					3 PLACES ±					INITIAL REVISION:					DRWN: JTSAO					2006/04/20																			
= 0					2 PLACES ±					APPR: MISEN					2001/03/01					SD-73366-006					PSD 001 C2														
= 0					1 PLACE ±					DRAFT WHERE APPLICABLE MUST REMAIN WITHIN DIMENSIONS					THIRD ANGLE PROJECTION					DRAWING SERIES					MATERIAL NUMBER					CUSTOMER					SHEET NUMBER				
= 0					= 0					C-SIZE					73366					SEE TABLE					GENERAL MARKET					2 OF 3									

molex

MCX JACK VERT PCB TH
 50 OHMS MCX-J/PCB EWR-3263

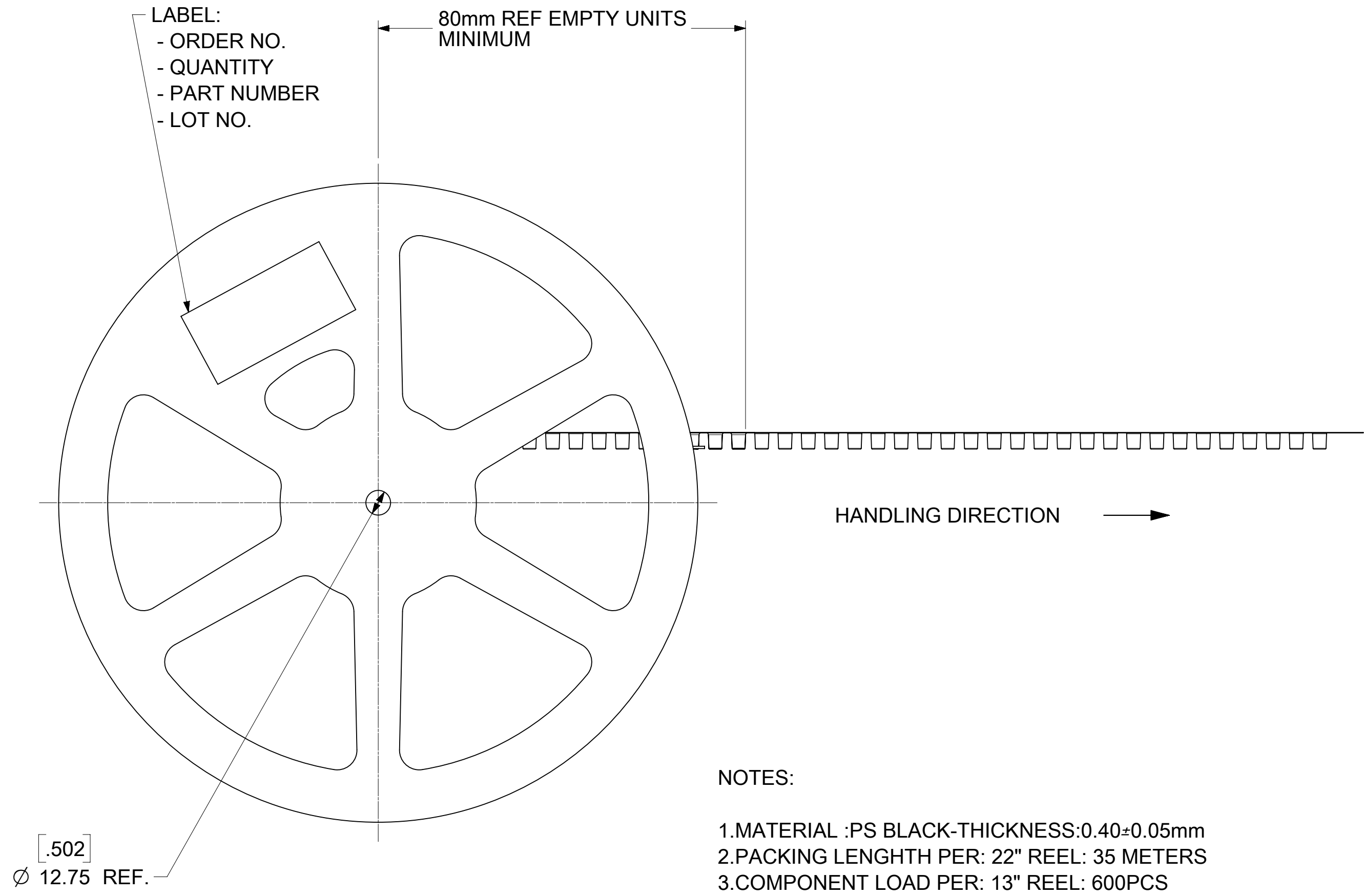
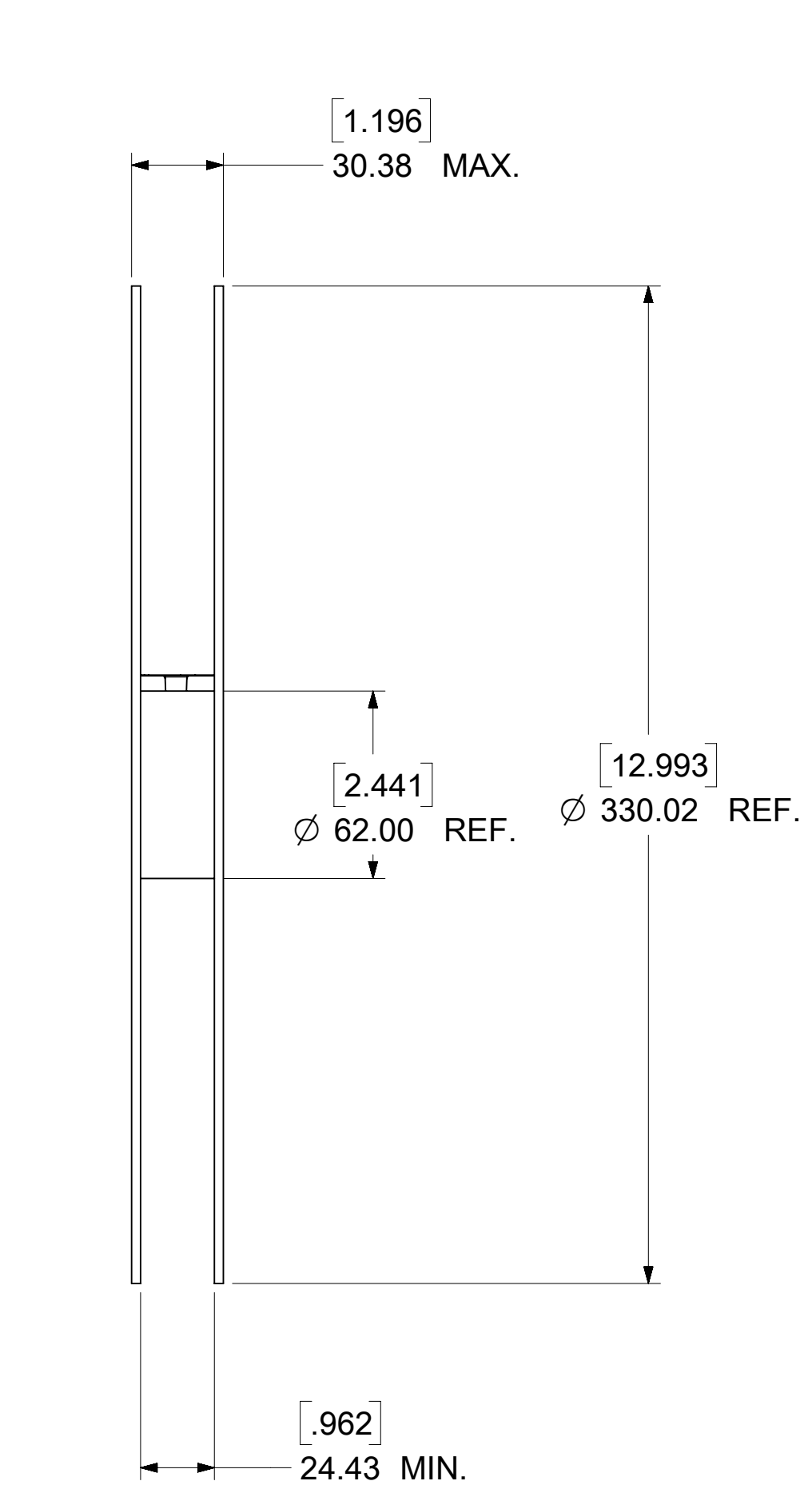
PRODUCT CUSTOMER DRAWING

DOCUMENT NUMBER DOC TYPE DOC PART REVISION

SD-73366-006 PSD 001 C2

MATERIAL NUMBER CUSTOMER SHEET NUMBER

SEE TABLE GENERAL MARKET 2 OF 3



- NOTES:
- 1.MATERIAL :PS BLACK-THICKNESS:0.40±0.05mm
 - 2.PACKING LENGTH PER: 22" REEL: 35 METERS
 - 3.COMPONENT LOAD PER: 13" REEL: 600PCS

PACKING SPECIFICATION:

-----	QUANTITY	SIZE	REMARK
1 EMBOSSED TAPE	600/3000	PER SHEET 2	PER ONE 13" REEL
1 REEL	5/3000	PER SHEET 3	-----
2 INNER CARTON BOX	1/3000	336X336X182 (MM)	1 BOX = 5 REEL = 3000EA
3 OUTER CARTON BOX	1/3000	385X367X206 (MM)	-----

THIS DRAWING CONTAINS INFORMATION THAT IS PROPRIETARY TO MOLEX ELECTRONIC TECHNOLOGIES, LLC AND SHOULD NOT BE USED WITHOUT WRITTEN PERMISSION									
SYMBOLS		DIMENSION UNITS		SCALE		CURRENT REV DESC:			
▽ = 0	HYBRID	NTS							
▽ = 0	GENERAL TOLERANCES (UNLESS SPECIFIED)								
▽ = 0	ANGULAR TOL ± 2.0°								
▽ = 0	4 PLACES	±							
▽ = 0	3 PLACES	±							
▽ = 0	2 PLACES	±							
▽ = 0	1 PLACE	±							
☒ = 0	0 PLACES	±							
■ = 0	DRAFT WHERE APPLICABLE MUST REMAIN WITHIN DIMENSIONS		THIRD ANGLE PROJECTION		DRAWING		SERIES		
▽ = 0			C-SIZE		73366				
DOCUMENT NUMBER			DOC TYPE			DOC PART			REVISION
SD-73366-006			PSD			001			C2
MATERIAL NUMBER			CUSTOMER			SHEET NUMBER			
SEE TABLE			GENERAL MARKET			3 OF 3			

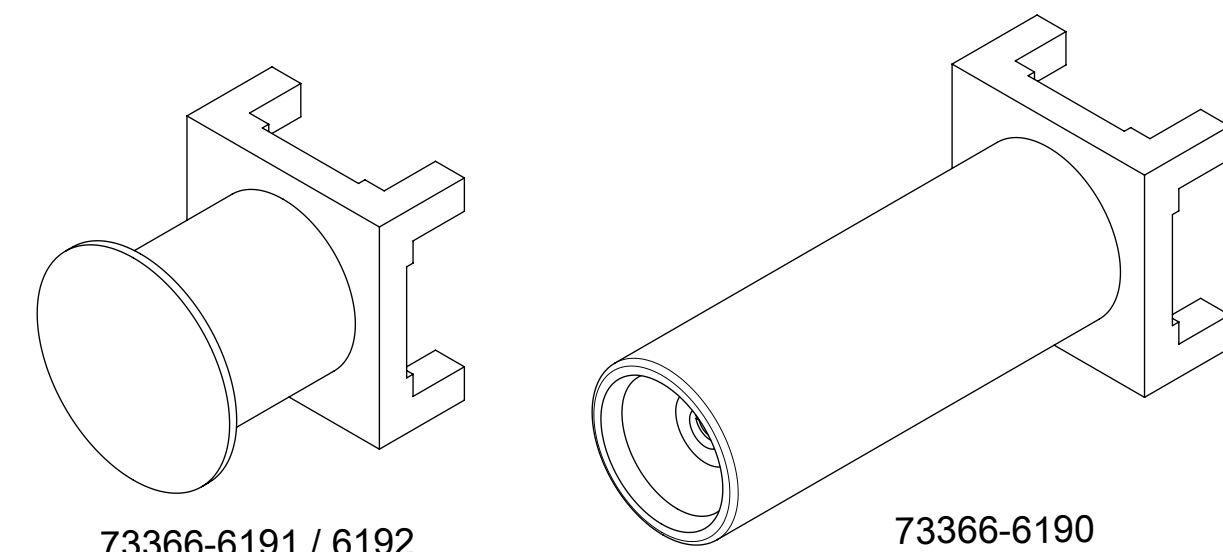
MATERIALS AND FINISHES:

BODY: BRASS
 PLATED: GOLD (1μ-in MIN)
 OVER NICKEL (50μ-in MIN)

CONTACT: BERYLLIUM COPPER
 PLATED: SEE TABLE

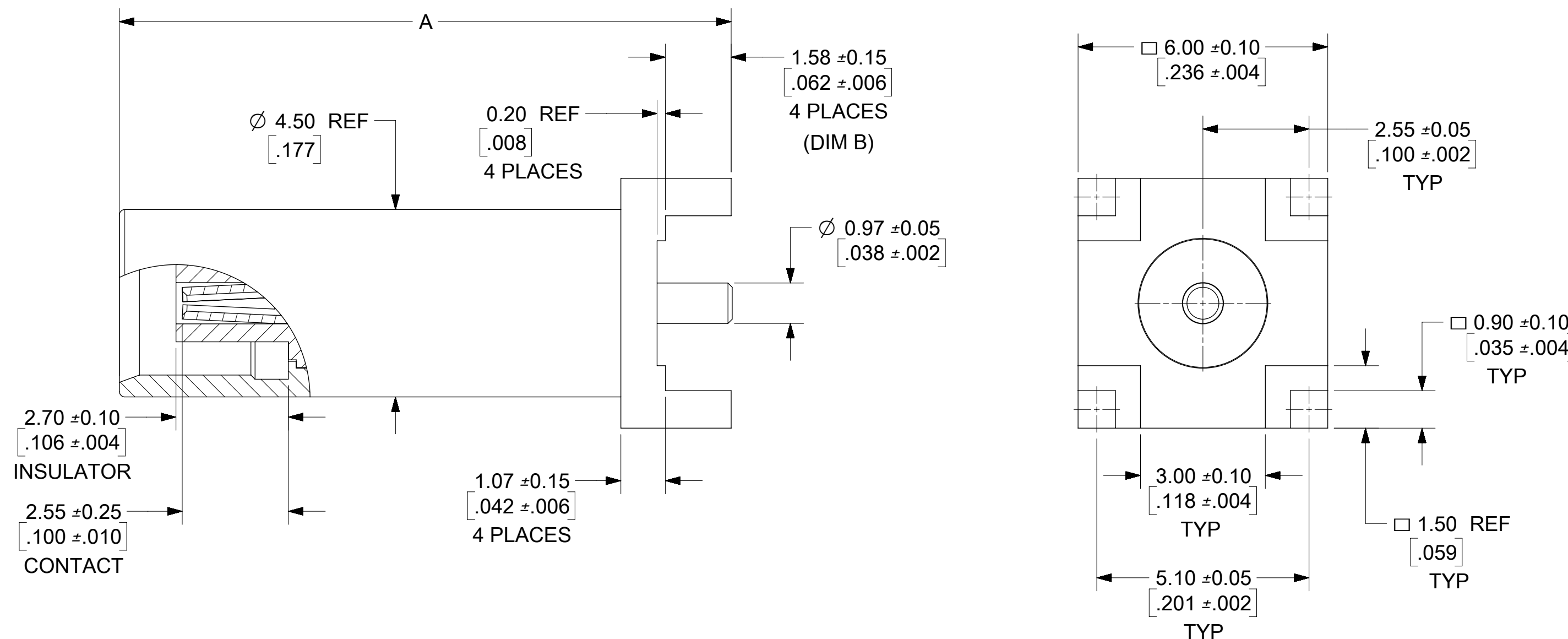
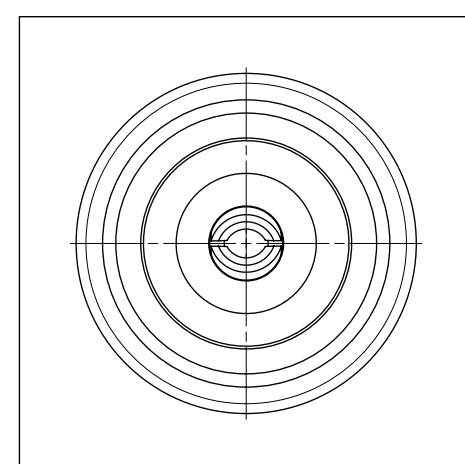
INSULATOR: PTFE

KAPTON: POLYIMIDE
 COLOR: BLACK
 (TAPE & REEL PACKAGE)



73366-6191 / 6192

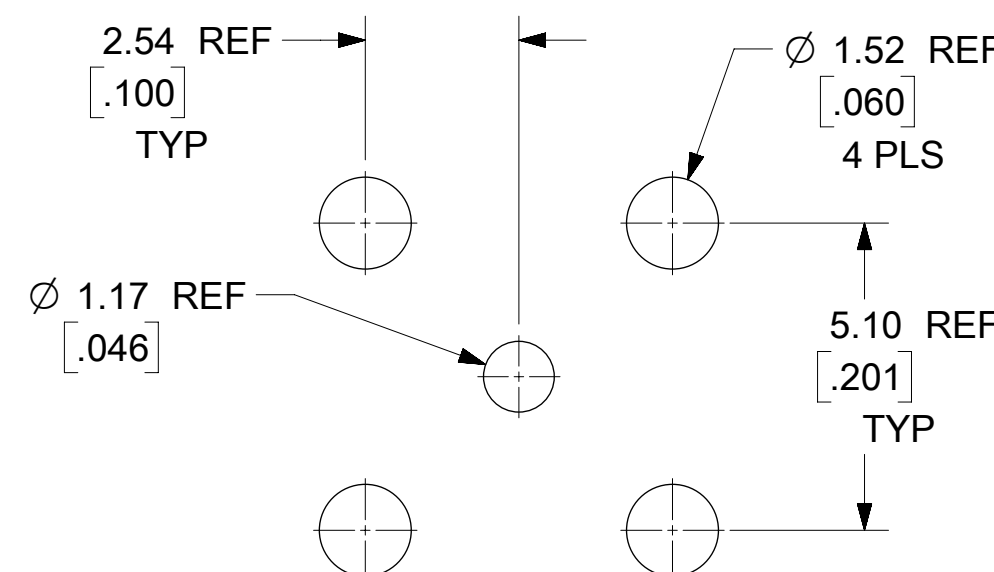
73366-6190



73366-6192	7.10	.280	GOLD (1μ-in MIN) OVER NICKEL (50μ-in MIN)	TAPE & REEL
73366-6191	7.10	.280	GOLD (30μ-in MIN) OVER NICKEL (50μ-in MIN)	73366-0061 TAPE & REEL
73366-6190	14.70	.579	GOLD (10μ-in MIN) OVER NICKEL (100μ-in MIN)	TRAY
PART NO.	MM	IN	PLATING (CONTACT)	PACKAGE
	DIM A (REF)			

NOTE:
 SEE SD-73366-006 FOR CONTINUATION OF
 TABULATION AND TAPE & REEL DRAWING

73366-0069	.280±.006	7.10±0.15	.062±.006	1.57±0.15	GOLD 1u" MIN.	1 PC 73366-0061 PER BAG
73366-0068	.280±.006	7.10±0.15	.062±.006	1.57±0.15	NICKEL 70u" MIN.	73366-0060 SMALL TRAY
73366-0067	.280±.006	7.10±0.15	.062±.006	1.57±0.15	NICKEL 70u" MIN.	1 PC 73366-0060 PER BAG
73366-0066	.236±.006	5.99±0.15	.019±.006	0.50±0.15	GOLD 1u" MIN.	73366-0065 TAPE & REEL
73366-0065	.236±.006	5.99±0.15	.019±.006	0.50±0.15	GOLD 1u" MIN.	TRAY
73366-0064	.236±.006	5.99±0.15	.019±.006	0.50±0.15	NICKEL 70u" MIN.	73366-0063 TAPE & REEL
73366-0063	.236±.006	5.99±0.15	.019±.006	0.50±0.15	NICKEL 70u" MIN.	TRAY
73366-0062	.280±.006	7.10±0.15	.062±.006	1.57±0.15	NICKEL 70u" MIN.	73366-0060 TAPE & REEL
73366-0061	.280±.006	7.10±0.15	.062±.006	1.57±0.15	GOLD 1u" MIN.	TRAY
73366-0060	.280±.006	7.10±0.15	.062±.006	1.57±0.15	NICKEL 70u" MIN.	TRAY
PART NO.	IN	MM	IN	MM	PLATING	PACKAGE
DIM (X)	DIM A		DIM B		BODY	



RECOMMENDED HOLE LAYOUT

SYMBOLS	THIS DRAWING CONTAINS INFORMATION THAT IS PROPRIETARY TO MOLEX ELECTRONIC TECHNOLOGIES, LLC AND SHOULD NOT BE USED WITHOUT WRITTEN PERMISSION		
	DIMENSION UNITS	SCALE	CURRENT REV DESC: MIGRATED AND REVISED
▽ = 0	HYBRID	NTS	EC NO: 611420 DRWN: CWEI02 2019/02/20 CHK'D: YCHENG 2019/02/20 APPR: YCHENG 2019/02/20 INITIAL REVISION: DRWN: AZR 2009/10/14 APPR: WSPINK 2014/04/10
▽ = 0	GENERAL TOLERANCES (UNLESS SPECIFIED)		
▽ = 0	MM	INCH	
▽ = 0	4 PLACES ±	±	
▽ = 0	3 PLACES ±	± 0.01	
▽ = 0	2 PLACES ±	± 0.25	
▽ = 0	1 PLACE ±	±	
▽ = 0	0 PLACES ±	±	
▽ = 0	ANGULAR TOL	± 2.0°	
▽ = 0	DRAFT WHERE APPLICABLE MUST REMAIN WITHIN DIMENSIONS	THIRD ANGLE PROJECTION	DRAWING C-SIZE SERIES 73366
DOCUMENT STATUS		RELEASE DATE	PRODUCT CUSTOMER DRAWING DOCUMENT NUMBER: SD-73366-619 DOC TYPE: PSD DOC PART: 000 REVISION: A3
P1		2019/02/20 07:02:17	MATERIAL NUMBER: SEE TABLE CUSTOMER: SHEET NUMBER: 1 OF 1