

MATERIALS AND FINISHES:

BODY & SMA COUPLING NUT ST. STEEL  
PASSIVATED

BNC COUPLING NUT BRASS  
PLATED NICKEL

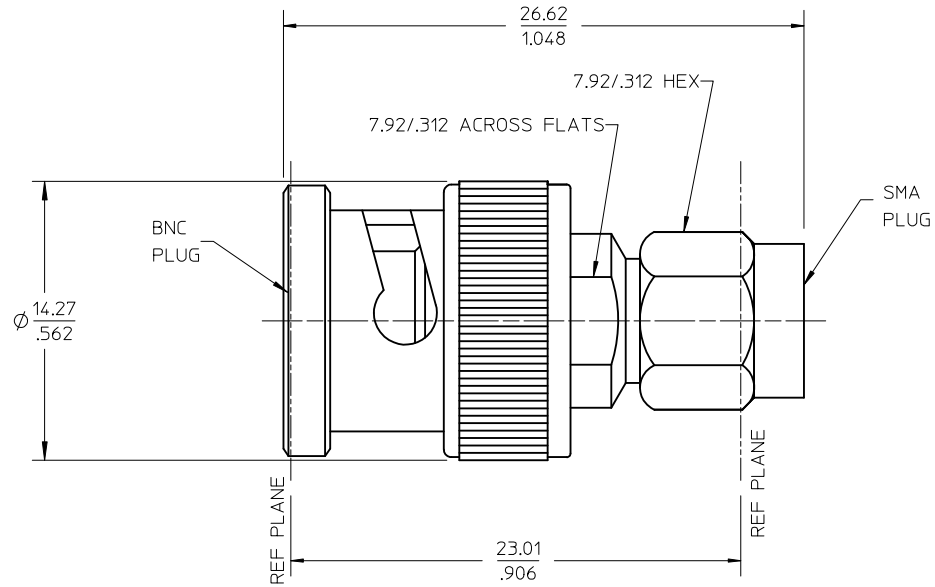
CENTER CONTACT BRASS  
PLATED GOLD

INSULATOR TEFLON

SNAP RING BERYLLIUM COPPER

GASKET SILICONE RUBBER

SPRING WASHER PHOSPHOR BRONZE



PS-89675-2700	ELECTRO/MECH PERF
MIL-STD-348A, FIG. 310-1	INTERFACE (BNC)
MIL-STD-348A, FIG. 310-1	INTERFACE (SMA)
SPECIFICATION	DESCRIPTION

CHG: UPDATED BORDER CONTACT MATERIAL WAS BERYLLIUM COPPER EC NO: URF2011-0666 DRWN:SSHAH 2011/05/12 CHKD:AROBERTSON 2011/05/12 APPR:JWIENER 2011/05/12 A1	QUALITY SYMBOLS ▽=0 ▽=0	GENERAL TOLERANCES (UNLESS SPECIFIED)		DIMENSION STYLE IN/MM		SCALE	DESIGN UNITS INCH	THIRD ANGLE PROJECTION																	
		<table border="1"> <thead> <tr> <th></th> <th>mm</th> <th>INCH</th> </tr> </thead> <tbody> <tr> <td>4 PLACES</td> <td>± .004</td> <td>± .001</td> </tr> <tr> <td>3 PLACES</td> <td>± .005</td> <td>± .001</td> </tr> <tr> <td>2 PLACES</td> <td>± .006</td> <td>± .001</td> </tr> <tr> <td>1 PLACE</td> <td>± .007</td> <td>± .001</td> </tr> </tbody> </table>			mm	INCH	4 PLACES	± .004	± .001	3 PLACES	± .005	± .001	2 PLACES	± .006	± .001	1 PLACE	± .007	± .001	DRAWN BY DATE EDC 1997/12/29		TITLE BSA BNC P/SMA P 50 OHMS BSA-BNC/SMA				
			mm	INCH																					
		4 PLACES	± .004	± .001																					
3 PLACES	± .005	± .001																							
2 PLACES	± .006	± .001																							
1 PLACE	± .007	± .001																							
ANGULAR ±1/2°		CHECKED BY DATE DHG 1998/01/05		APPROVED BY DATE 1997/12/29																					
DRAFT WHERE APPLICABLE MUST REMAIN WITHIN DIMENSIONS		MATERIAL NO. 733860013		DOCUMENT NO. SD-73386-001			SHEET NO. 1 OF 1																		