

MATERIALS AND FINISHES:

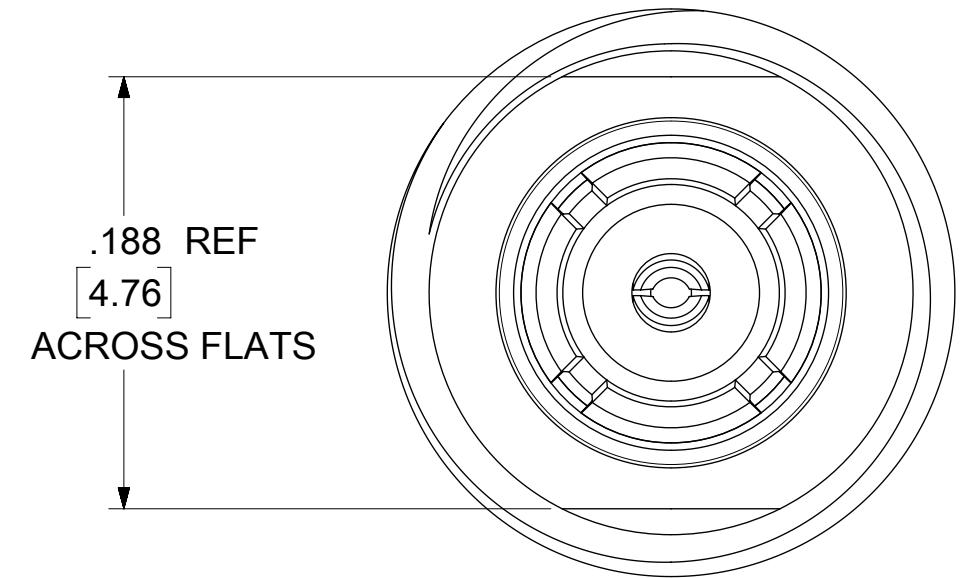
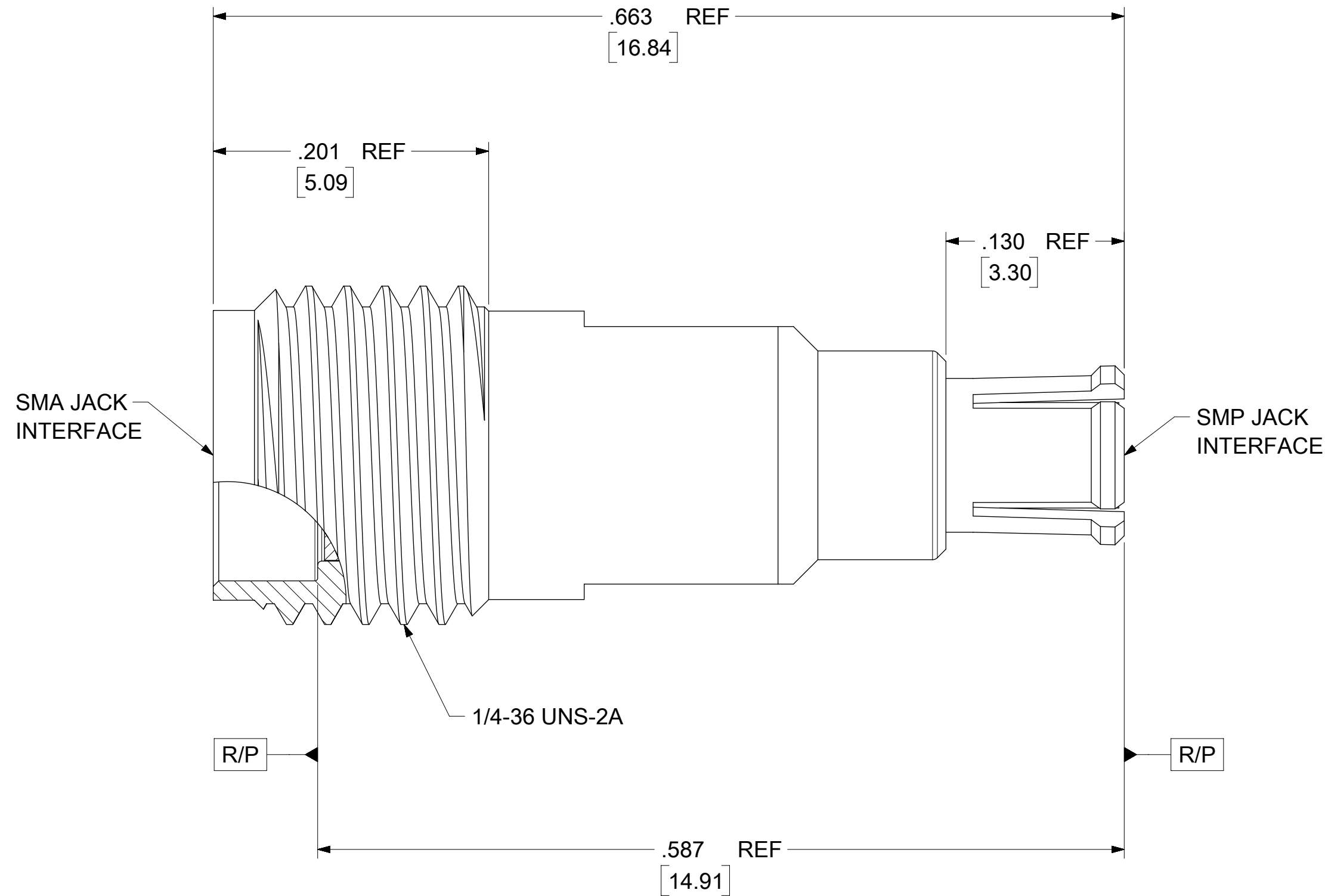
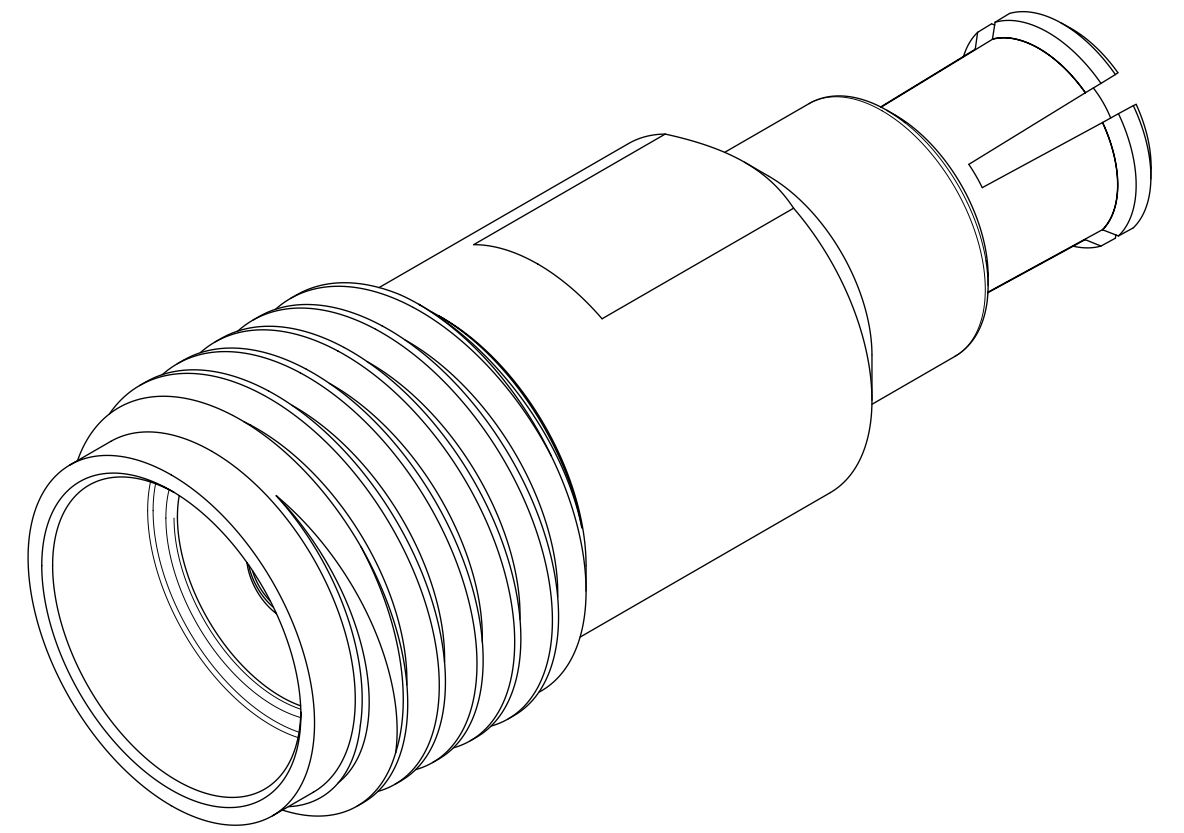
TYPICAL VSWR OF 1.5 TO 26 GHz

BODY: STAINLESS STEEL
PASSIVATED

OUTER CONTACT: BERYLLIUM COPPER
PLATED GOLD (10μ-in MIN) OVER
NICKEL (100μ-in MIN)

CENTER CONTACT: BERYLLIUM COPPER
PLATED GOLD (10μ-in MIN) OVER
NICKEL (100μ-in MIN)

INSULATOR: PTFE



73386-1430	TRAY
PART NO.	PACKAGING

MIL-STD-348B, FIG. 326.1	SMP INTERFACE		
MIL-STD-348B, FIG. 310.2	SMA INTERFACE		
SPECIFICATION	DESCRIPTION		
DOCUMENT STATUS	P1	RELEASE DATE	2018/05/17 18:09:14

SYMBOLS	THIS DRAWING CONTAINS INFORMATION THAT IS PROPRIETARY TO MOLEX ELECTRONIC TECHNOLOGIES, LLC AND SHOULD NOT BE USED WITHOUT WRITTEN PERMISSION	
	DIMENSION UNITS	SCALE
▽ = 0	INCH	NTS
▽ = 0	GENERAL TOLERANCES (UNLESS SPECIFIED)	
▽ = 0		
▽ = 0	4 PLACES ±	±
▽ = 0	3 PLACES ±	±
▽ = 0	2 PLACES ±	±
▽ = 0	1 PLACE ±	±
▽ = 0	0 PLACES ±	±
■ = 0	ANGULAR TOL ± 2.0°	
▽ = 0	DRAFT WHERE APPLICABLE MUST REMAIN WITHIN DIMENSIONS	
	THIRD ANGLE PROJECTION	DRAWING
		C-SIZE
	SERIES	73386
	MATERIAL NUMBER	SEE TABLE
	CUSTOMER	
	SHEET NUMBER	1 OF 1
	EC NO: 176816	
	DRWN: LMEIER	2018/05/15
	CHK'D: SSSHAH	2018/05/17
	APPR: AROBERTSON	2018/05/17
	INITIAL REVISION:	
	DRWN: AZR	2009/06/01
	APPR: YCHENG	2015/02/04
	DOCUMENT NUMBER	SD-73386-143
	DOC TYPE	PSD
	DOC PART	001
	REVISION	A1
	PRODUCT CUSTOMER DRAWING	
	BSA SMA JACK TO SMP JACK 50 OHMS BSA-SMA/SMP, EWR-12098	