

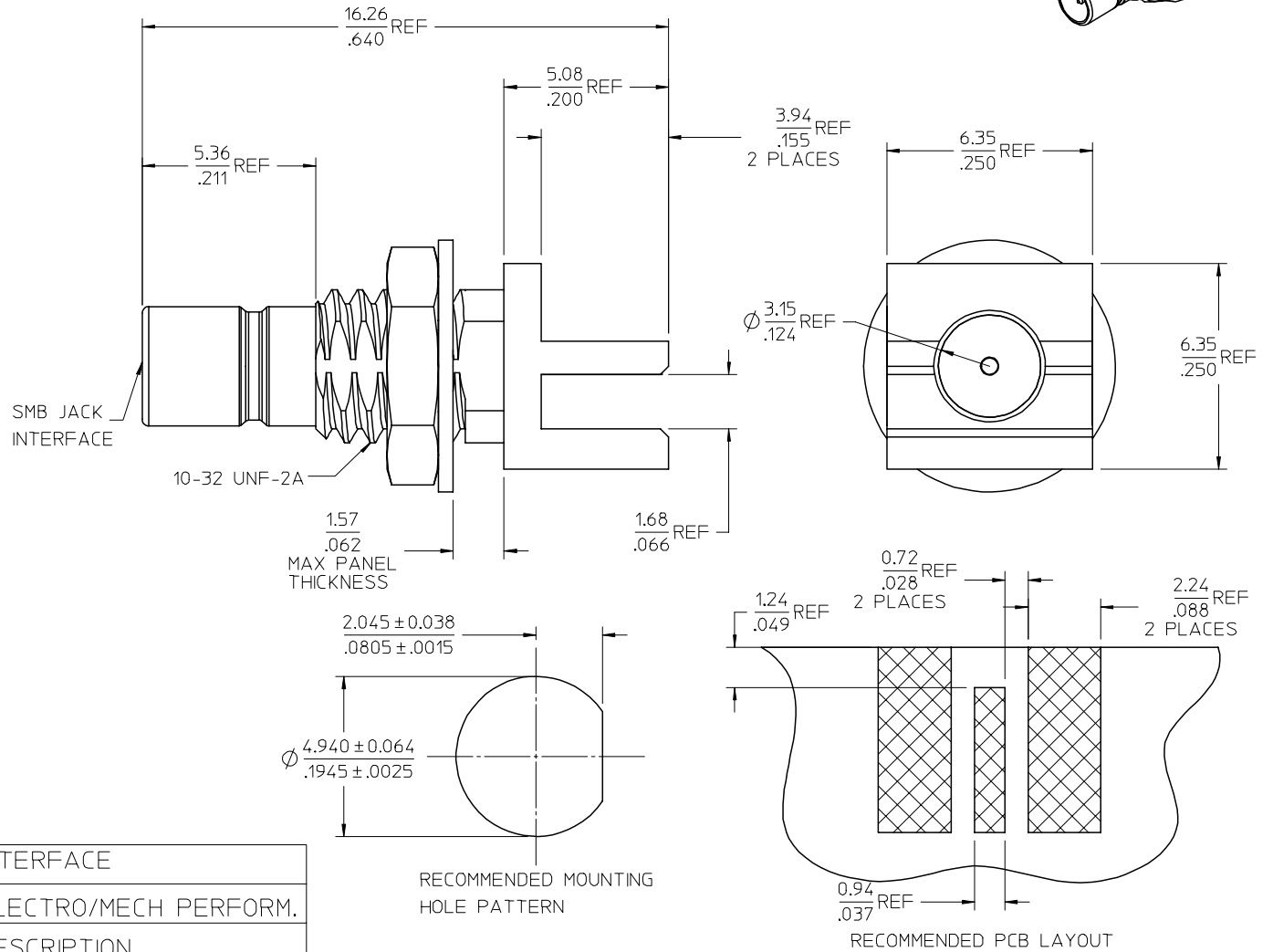
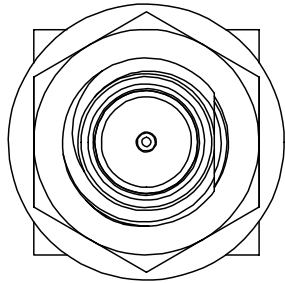
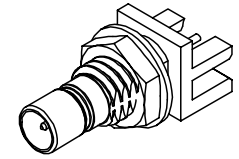
MATERIALS AND FINISHES:

BODY & JAM NUT BRASS  
PLATED GOLD

CONTACT BRASS  
PLATED GOLD

INSULATOR TEFLON

LOCKWASHER PHOSPHER BRONZE  
PLATED GOLD



RECOMMENDED MOUNTING HOLE PATTERN

RECOMMENDED PCB LAYOUT

PART # 73404-0140

ES-89675-3040	INTERFACE
PS-89675-2000	ELECTRO/MECH PERFORM.
SPECIFICATION	DESCRIPTION

CHG: REDREW TO SHOW REVISED COMPONENTS	EC NO: URF2007-0750	DATE: 2006/10/10
	DRWN: TELAHERTY	DATE: 2006/10/10
A3	CHKD: SHAH	DATE: 2006/10/10
	APPR: JIM ENER	DATE: 2006/10/10

QUALITY SYMBOLS	GENERAL TOLERANCES (UNLESS SPECIFIED)
▽=0	mm INCH
▽=0	4 PLACES ± --- ± ---
	3 PLACES ± --- ± ---
	2 PLACES ± --- ± ---
	1 PLACE ± --- ± ---
	ANGULAR ± 2 °
	DRAFT WHERE APPLICABLE MUST REMAIN WITHIN DIMENSIONS

DIMENSION STYLE	SCALE	DESIGN UNITS	THIRD ANGLE PROJECTION
MM/IN		METRIC	☉ □
DRAWN BY	DATE	TITLE	
GMH	1999/06/09	SMB JACK, AIR DIELECTRIC	
CHECKED BY	DATE	75 OHMS, PCB	
DHG	1999/01/18	SMB-J/PCB	
APPROVED BY	DATE	MOLEX INCORPORATED	
GMH	1999/01/18	MATERIAL NO. 734040140	
DOCUMENT NO. SD-73404-014		SHEET NO. 1 OF 1	

THIS DRAWING CONTAINS INFORMATION THAT IS PROPRIETARY TO MOLEX INCORPORATED AND SHOULD NOT BE USED WITHOUT WRITTEN PERMISSION			
---	--	--	--