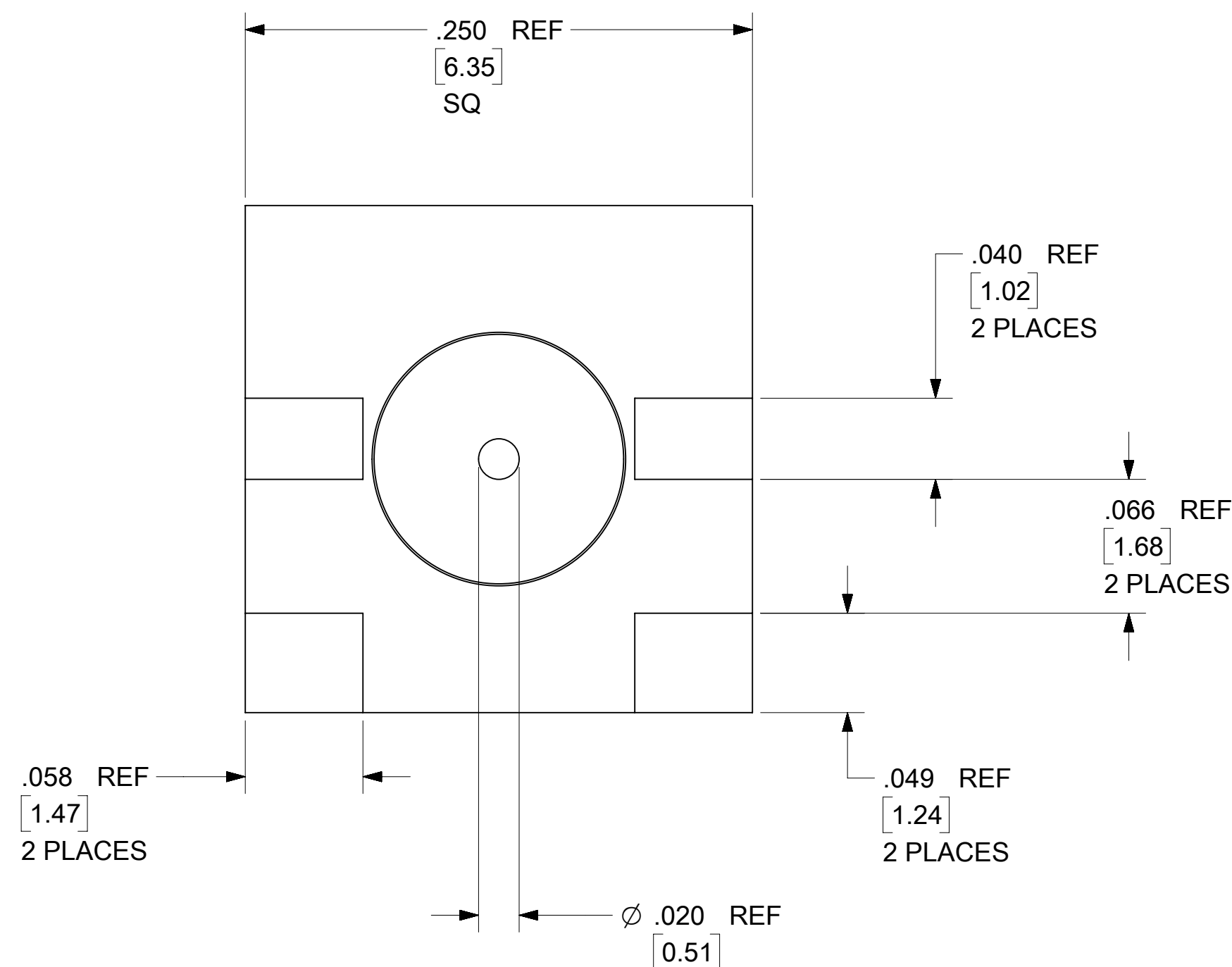
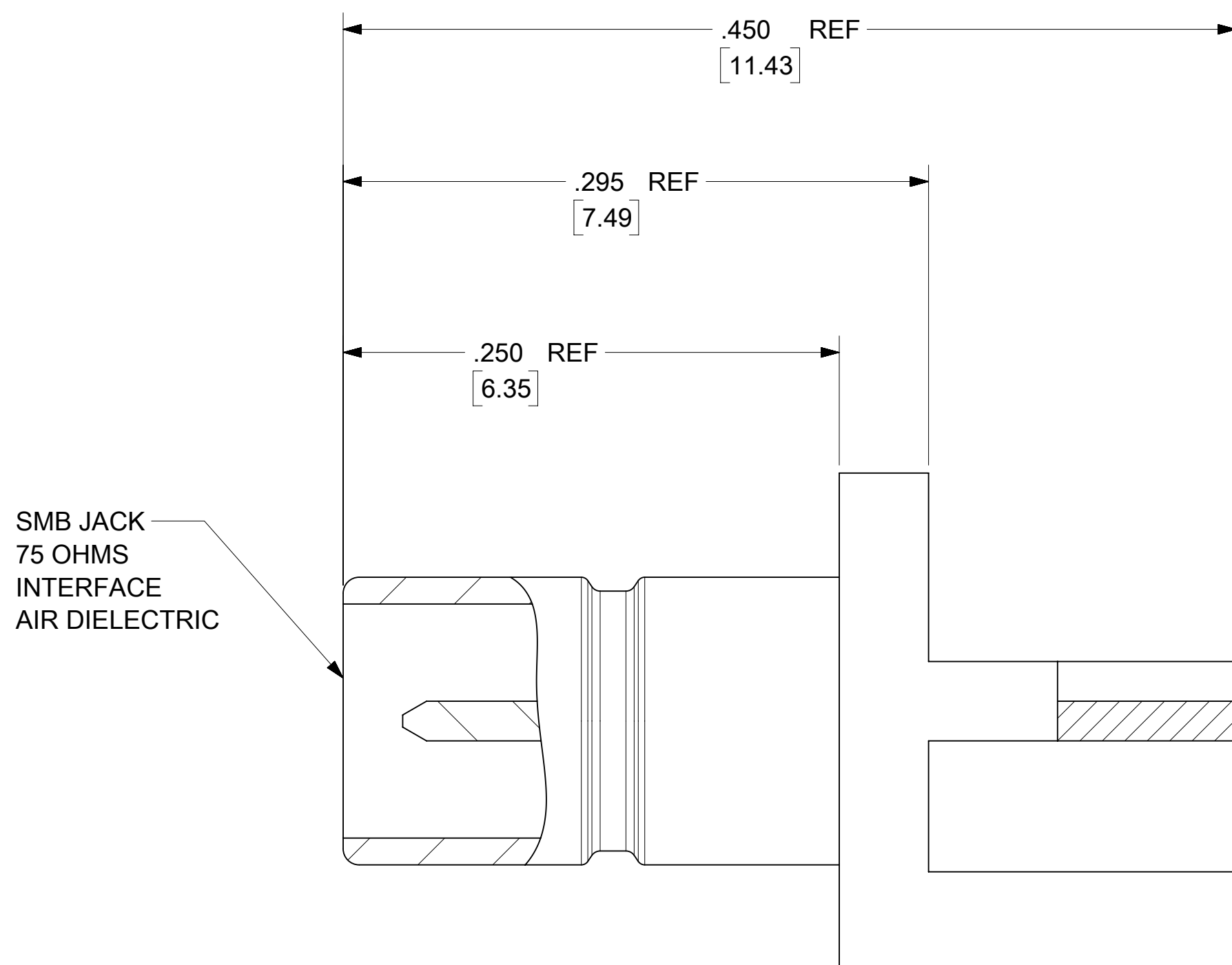
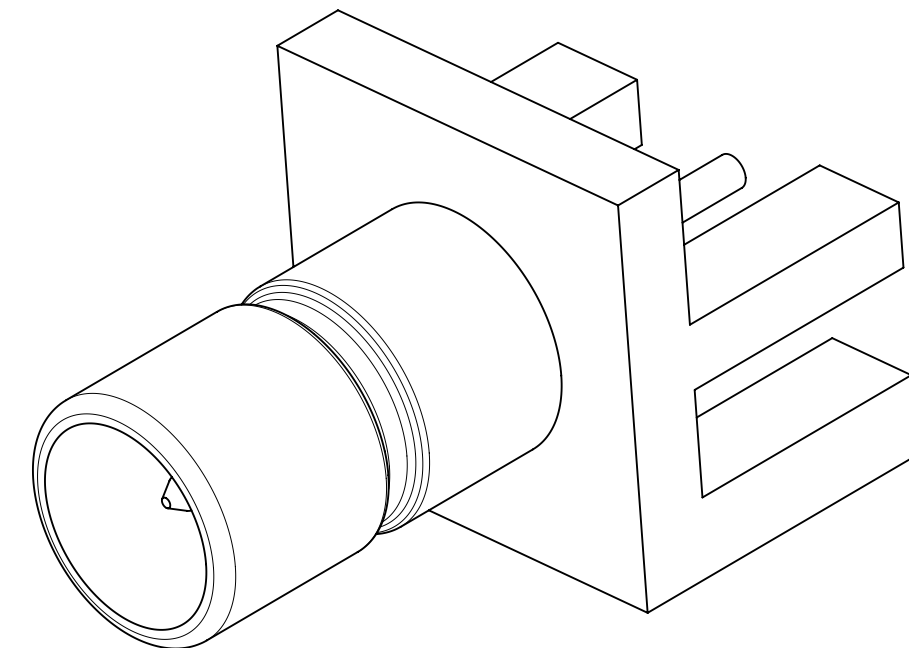


MATERIALS AND FINISHES:

BODY, CONTACT: BRASS
PLATED (SEE PART NUMBER TABLE)

INSULATOR: PTFE



73404-0301	GOLD (5μ-in MIN) OVER NICKEL (50μ-in MIN)	GOLD (20μ-in MIN) OVER NICKEL (50μ-in MIN)
73404-0300	GOLD (30μ-in MIN) OVER NICKEL (100μ-in MIN)	GOLD (30μ-in MIN) OVER NICKEL (100μ-in MIN)
PART NO.	BODY PLATING SPEC.	CONTACT PLATING SPEC.

QUALITY SYMBOLS		THIS DRAWING CONTAINS INFORMATION THAT IS PROPRIETARY TO MOLEX ELECTRONIC TECHNOLOGIES, LLC AND SHOULD NOT BE USED WITHOUT WRITTEN PERMISSION			
▽ = 0	2017/11/14	GENERAL TOLERANCES (UNLESS SPECIFIED)		DIMENSION UNITS	SCALE
▽ = 0	2017/11/17			INCH	NTS
▽ = 0				DRWN BY	DATE
▽ = 0				TEF	2000/04/11
▽ = 0				CHK'D BY	DATE
▽ = 0				SSS	2000/04/11
▽ = 0				APPR BY	DATE
▽ = 0				GMH	2000/04/11
▽ = 0				DRAWING SIZE	THIRD ANGLE PROJECTION
▽ = 0				C	
▽ = 0				ANGULAR TOL = 2.0	
▽ = 0				DRAFT WHERE APPLICABLE MUST REMAIN WITHIN DIMENSIONS	
EC NO: 168112	DRWN: BSHAH	CHKD: SSSHAH	REV / APPR: AROBERTSON	MIGRATED	
A3				SERIES: 73404	
				MATERIAL NUMBER: SEE TABLE	
				CUSTOMER: -	
				DOCUMENT NUMBER: SD-73404-030	
				DOC TYPE: PSD	
				DOC PART: 001	
				SHEET NUMBER: 1 OF 1	

ES-89675-3040	INTERFACE
PS-89675-2000	ELECTRO/MECH PERFORM.
SPECIFICATION	DESCRIPTION

RELEASE STATUS	P1	RELEASE DATE	17.11.2017	16:26:17
----------------	----	--------------	------------	----------