

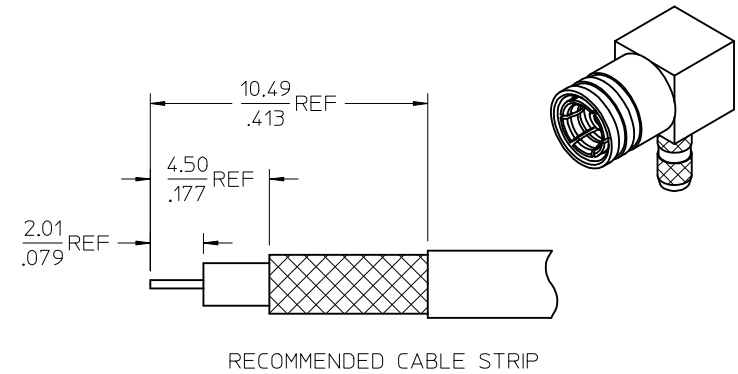
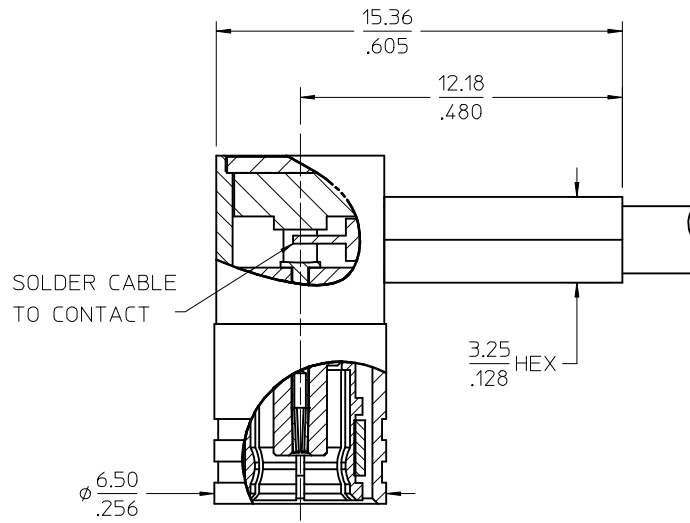
MATERIALS AND FINISHES

BODY, FERRULE, CAP: BRASS  
PLATED GOLD

CENTER CONTACT: BERYLLIUM COPPER  
PLATED GOLD

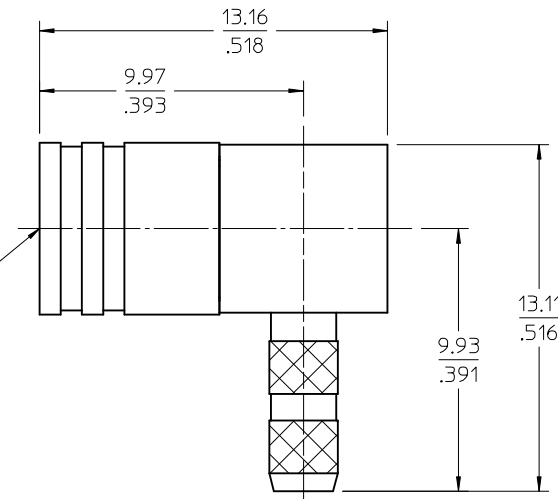
INSULATOR: TEFLON

RETAINING RING: BERYLLIUM COPPER

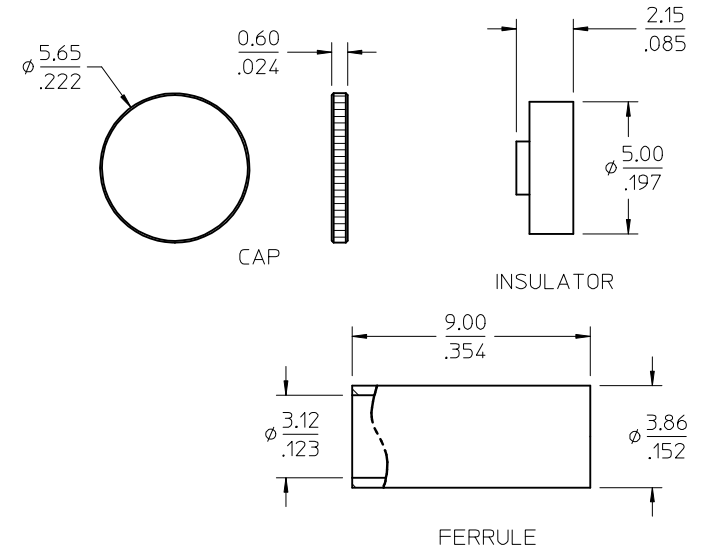


LABEL FORMAT FOR  
73404-3000

PART NUMBER: 73100-0256  
ORDER NUMBER: 73404-3000  
MOLEX  
DATE: YYWW



SMB PLUG  
75 OHM  
ACCEPTS PIN  
Ø0.38 (.015)±0.025 (.001)



73404-3000	1 PIECE 73100-0256 IN SINGLE BAG WITH LABEL
73100-0256	TRAY
PART NO.	PACKAGING

PS-89675-3540	ELECTRO/MECH. PERFORM.
SPECIFICATION	DESCRIPTION

CHG: 73100-0256 PACKING UPDATE TO TRAY FROM STANDARD EWR RF15-E384	EC NO: URF2016-0367	2015/11/05
	DRWN: YCHENG	2015/11/05
CHKD:	APPR: YCHENG	2015/11/09
REV: B5	DESCRIPTION	

QUALITY SYMBOLS	
-----------------	--

GENERAL TOLERANCES (UNLESS SPECIFIED)	
	mm INCH
4 PLACES	± .005 ± .0002
3 PLACES	± .005 ± .0002
2 PLACES	± .005 ± .0002
1 PLACE	± .005 ± .0002
ANGULAR ± 2°	
DRAFT WHERE APPLICABLE MUST REMAIN WITHIN DIMENSIONS	

DIMENSION STYLE		SCALE	DESIGN UNITS	THIRD ANGLE PROJECTION
MM/IN			METRIC	
DRAWN BY	DATE	TITLE		
SEAN	1995/08/29	SMB PLUG RA 75 OHM RG179 MATES TO .015 PIN SMB-PC/RA		
CHECKED BY	DATE			
MISEN	1995/08/29			
APPROVED BY	DATE			
JWIENER	2010/12/13			
MATERIAL NO.	DOCUMENT NO.			
SEE TABLE	SD-73100-0256			
SIZE	THIS DRAWING CONTAINS INFORMATION THAT IS PROPRIETARY TO MOLEX INCORPORATED AND SHOULD NOT BE USED WITHOUT WRITTEN PERMISSION			

MOLEX INCORPORATED		SHEET NO.
		1 OF 1

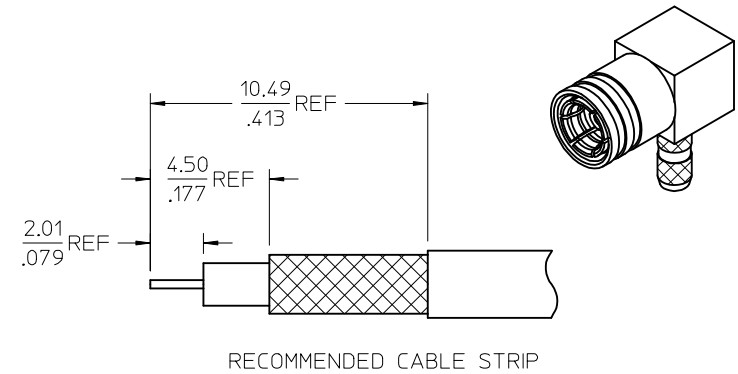
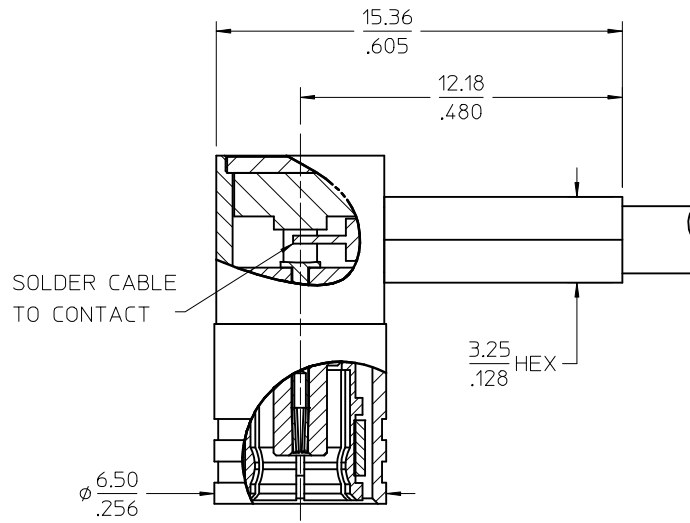
MATERIALS AND FINISHES

BODY, FERRULE, CAP: BRASS  
PLATED GOLD

CENTER CONTACT: BERYLLIUM COPPER  
PLATED GOLD

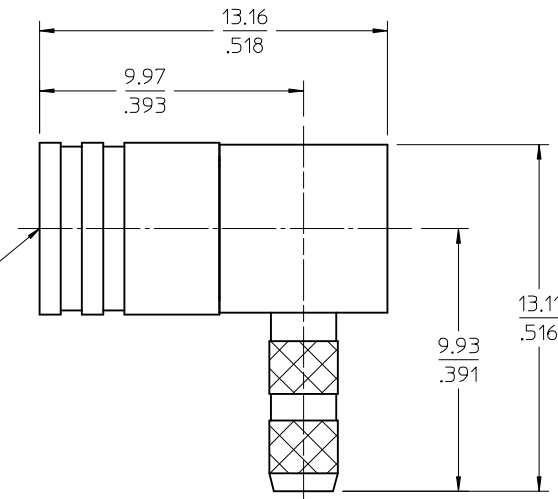
INSULATOR: TEFLON

RETAINING RING: BERYLLIUM COPPER

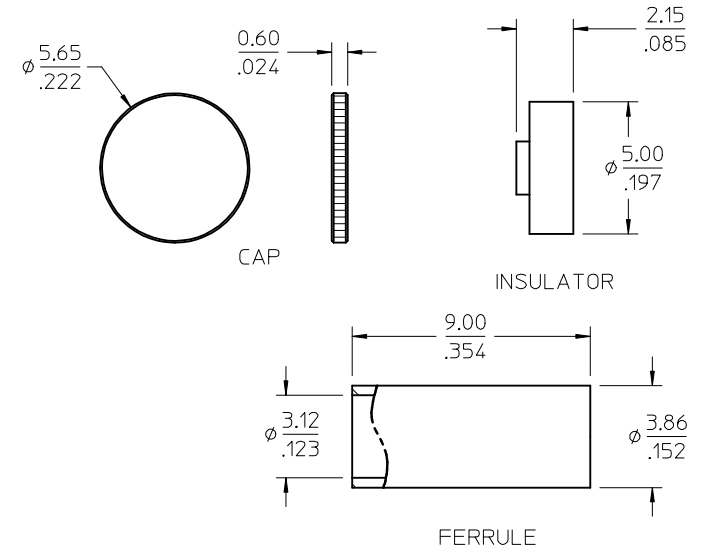


LABEL FORMAT FOR  
73404-3000

PART NUMBER: 73100-0256  
ORDER NUMBER: 73404-3000  
MOLEX  
DATE: YYWW



SMB PLUG  
75 OHM  
ACCEPTS PIN  
Ø0.38 (.015)±0.025 (.001)



73404-3000	1 PIECE 73100-0256 IN SINGLE BAG WITH LABEL
73100-0256	TRAY
PART NO.	PACKAGING

PS-89675-3540	ELECTRO/MECH. PERFORM.
SPECIFICATION	DESCRIPTION

CHG: 73100-0256 PACKING UPDATE TO TRAY FROM STANDARD EWR RF15-E384	EC NO: URF2016-0367	2015/11/05
	DRWN: YCHENG	2015/11/05
CHKD:	APPR: YCHENG	2015/11/09
REV: B5	DESCRIPTION	

QUALITY SYMBOLS	
-----------------	--

GENERAL TOLERANCES (UNLESS SPECIFIED)	
	mm INCH
4 PLACES	± .005 ± .0002
3 PLACES	± .005 ± .0002
2 PLACES	± .005 ± .0002
1 PLACE	± .005 ± .0002
ANGULAR ± 2°	
DRAFT WHERE APPLICABLE MUST REMAIN WITHIN DIMENSIONS	

DIMENSION STYLE MM/IN		SCALE METRIC	DESIGN UNITS THIRD ANGLE PROJECTION
DRAWN BY SEAN	DATE 1995/08/29	TITLE SMB PLUG RA 75 OHM RG179 MATES TO .015 PIN SMB-PC/RA	
CHECKED BY MISEN	DATE 1995/08/29	APPROVED BY JWIENER	
DATE 2010/12/13		MOLEX INCORPORATED	
MATERIAL NO. SEE TABLE		DOCUMENT NO. SD-73100-0256	SHEET NO. 1 OF 1
THIS DRAWING CONTAINS INFORMATION THAT IS PROPRIETARY TO MOLEX INCORPORATED AND SHOULD NOT BE USED WITHOUT WRITTEN PERMISSION			

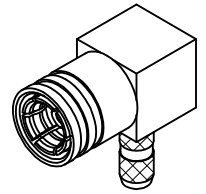
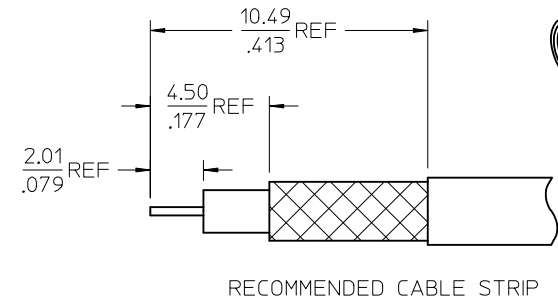
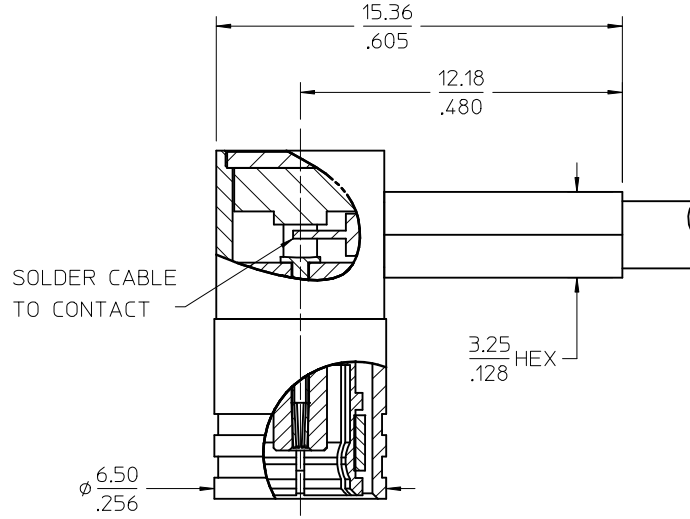
MATERIALS AND FINISHES

BODY, FERRULE, CAP: BRASS  
PLATED GOLD

CENTER CONTACT: BERYLLIUM COPPER  
PLATED GOLD

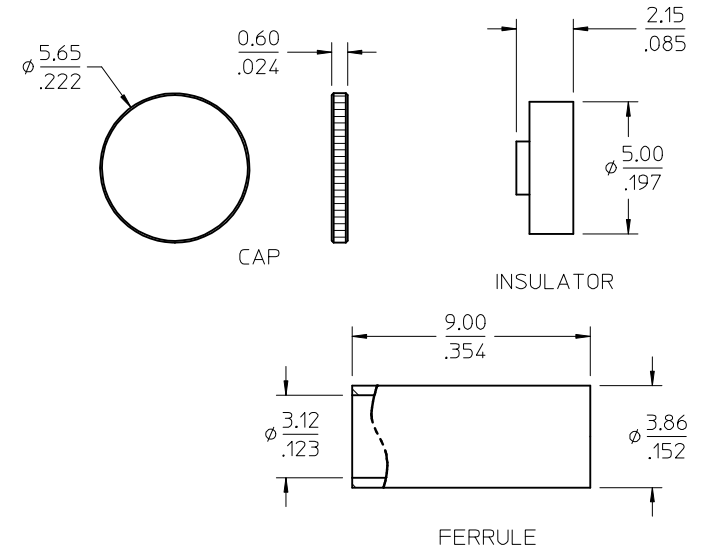
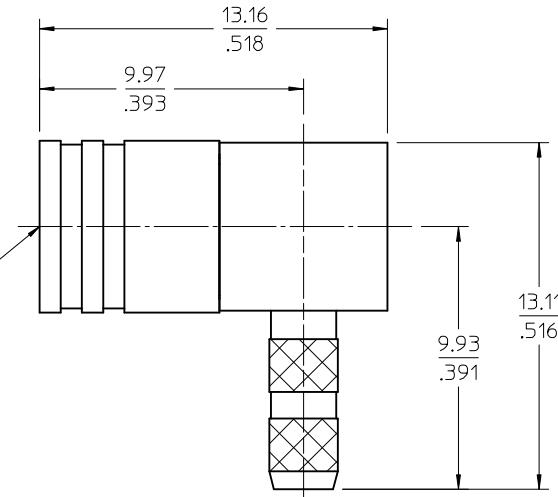
INSULATOR: TEFLON

RETAINING RING: BERYLLIUM COPPER



LABEL FORMAT FOR  
73404-3000

PART NUMBER: 73100-0256  
ORDER NUMBER: 73404-3000  
MOLEX  
DATE: YYWW



73404-3000	1 PIECE 73100-0256 IN SINGLE BAG WITH LABEL
73100-0256	TRAY
PART NO.	PACKAGING

PS-89675-3540	ELECTRO/MECH. PERFORM.
SPECIFICATION	DESCRIPTION

CHG: 73100-0256 PACKING UPDATE TO TRAY FROM STANDARD EWR RF15-E384	EC NO: URF2016-0367	2015/11/05
	DRWN: YCHENG	2015/11/05
CHKD:	APPR: YCHENG	2015/11/09
REV: A2	DESCRIPTION	

QUALITY SYMBOLS	GENERAL TOLERANCES (UNLESS SPECIFIED)
▽=0	mm INCH
▽=0	4 PLACES ± --- ± ---
	3 PLACES ± --- ± ---
	2 PLACES ± --- ± ---
	1 PLACE ± --- ± ---
	ANGULAR ± 2 °
	DRAFT WHERE APPLICABLE MUST REMAIN WITHIN DIMENSIONS

DRAWN BY	DATE	TITLE
AROBERTSON	2011/03/31	SMB PLUG RA 75 OHM RG179 MATS TO .015 PIN SMB-PC/RA, EWR-4676
CHECKED BY	DATE	
SSS	2011/03/31	
APPROVED BY	DATE	
JWIENER	2011/04/04	
MATERIAL NO.	DOCUMENT NO.	
SEE TABLE	SD-73404-300	

DIMENSION STYLE	SCALE	DESIGN UNITS	THIRD ANGLE PROJECTION
MM/IN		METRIC	
MOLEX INCORPORATED			
THIS DRAWING CONTAINS INFORMATION THAT IS PROPRIETARY TO MOLEX INCORPORATED AND SHOULD NOT BE USED WITHOUT WRITTEN PERMISSION			SHEET NO. 1 OF 1

MATERIALS AND FINISHES

BODY, FERRULE, CAP: BRASS  
PLATED GOLD

CENTER CONTACT: BERYLLIUM COPPER  
PLATED GOLD

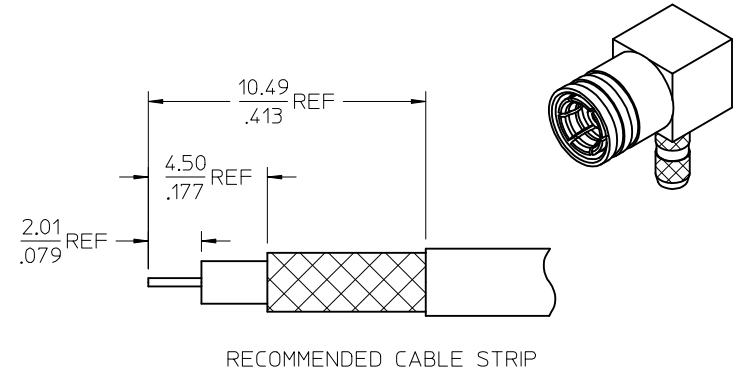
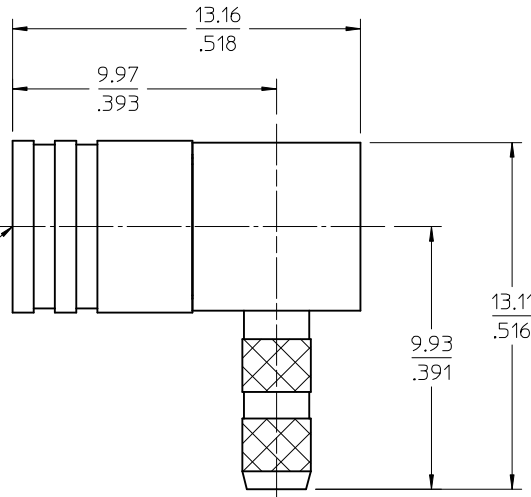
INSULATOR: TEFLON

RETAINING RING: BERYLLIUM COPPER

SOLDER CABLE  
TO CONTACT

3.25  
.128  
HEX

Ø 6.50  
.256

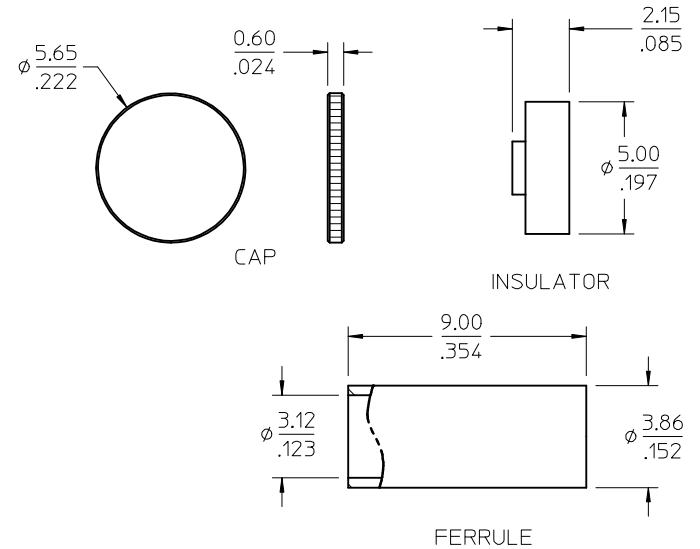


RECOMMENDED CABLE STRIP

LABEL FORMAT FOR  
73404-3000

PART NUMBER: 73100-0256  
ORDER NUMBER: 73404-3000  
MOLEX  
DATE: YYWW

SMB PLUG  
75 OHM  
ACCEPTS PIN  
Ø0.38 (.015)±0.025 (.001)



73404-3000	1 PIECE 73100-0256 IN SINGLE BAG WITH LABEL
73100-0256	TRAY
PART NO.	PACKAGING

PS-89675-3540	ELECTRO/MECH. PERFORM.
SPECIFICATION	DESCRIPTION

CHG: 73100-0256 PACKING UPDATE TO TRAY FROM STANDARD EWR RF15-E384	EC NO: URF2016-0367	2015/11/05
	DRWN: YCHENG	2015/11/05
CHKD:	APPR: YCHENG	2015/11/09
REV: A2	DESCRIPTION	

QUALITY SYMBOLS	GENERAL TOLERANCES (UNLESS SPECIFIED)
▽=0	mm INCH
▽=0	4 PLACES ± --- ± ---
	3 PLACES ± --- ± ---
	2 PLACES ± --- ± ---
	1 PLACE ± --- ± ---
	ANGULAR ± 2 °

DRAWN BY	DATE	TITLE
AROBERTSON	2011/03/31	SMB PLUG RA 75 OHM RG179 MATS TO .015 PIN SMB-PC/RA, EWR-4676
CHECKED BY	DATE	
SSS	2011/03/31	
APPROVED BY	DATE	
JWIENER	2011/04/04	
MATERIAL NO.	DOCUMENT NO.	
SEE TABLE	SD-73404-300	

DIMENSION STYLE	SCALE	DESIGN UNITS	THIRD ANGLE PROJECTION
MM/IN		METRIC	
MOLEX INCORPORATED			
THIS DRAWING CONTAINS INFORMATION THAT IS PROPRIETARY TO MOLEX INCORPORATED AND SHOULD NOT BE USED WITHOUT WRITTEN PERMISSION			SHEET NO. 1 OF 1