

MATERIALS AND FINISHES

PART NO. 73413-0060
HOUSING
BRASS
PLATED GOLD

CENTER CONTACT
BRASS
PLATED GOLD

CAP
BRASS
PLATED GOLD

OUTER CONTACT
BERYLLIUM COPPER
PLATED GOLD

INSULATOR
TEFLON

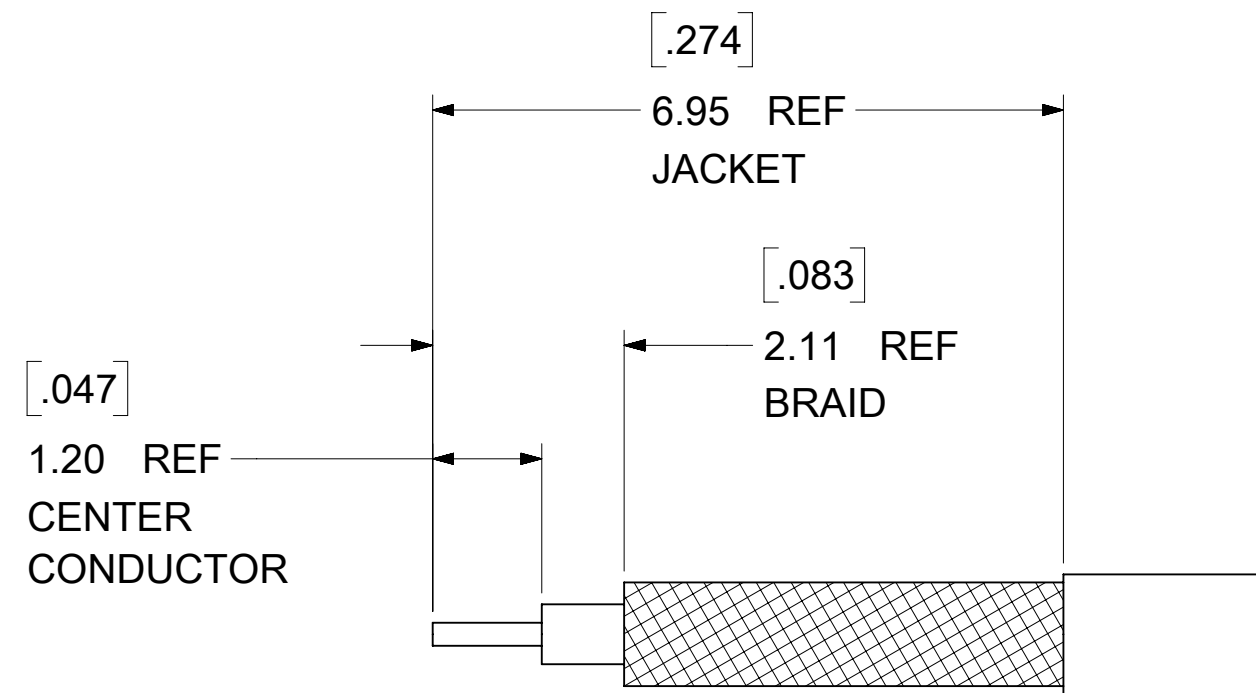
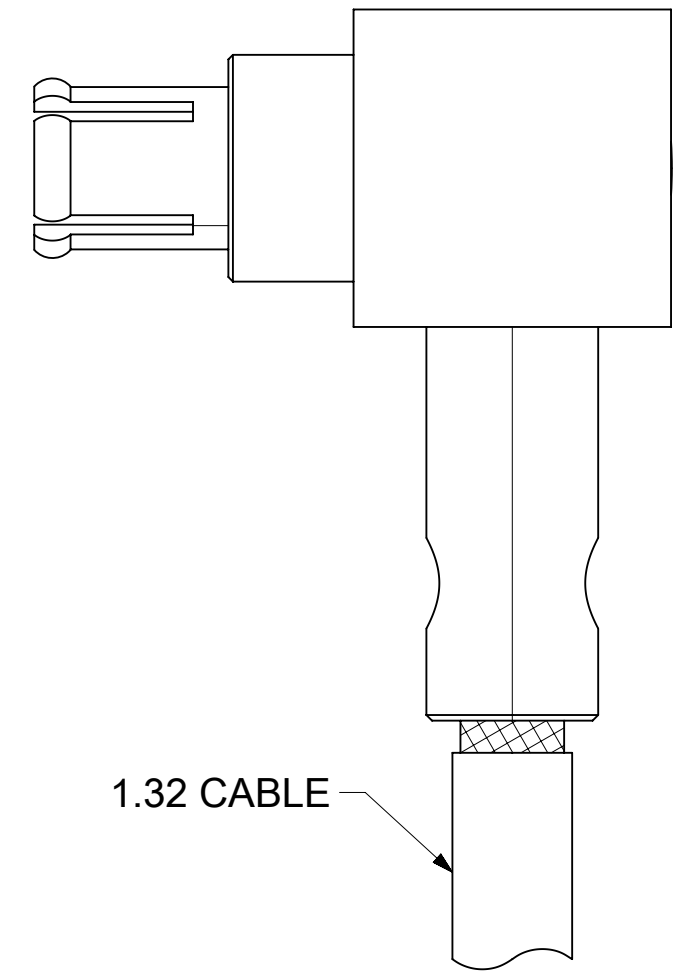
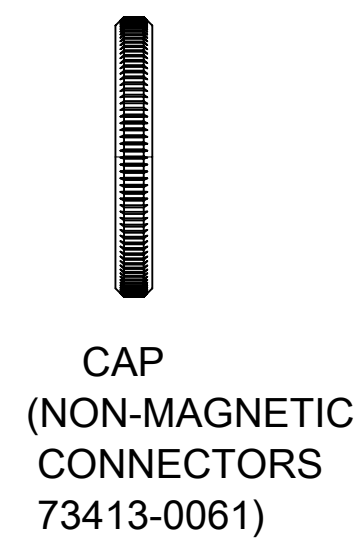
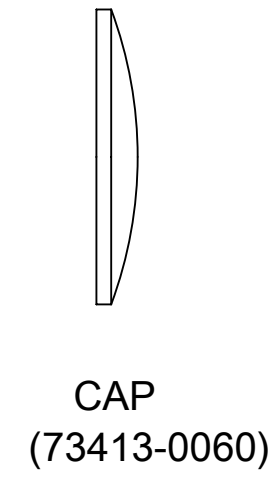
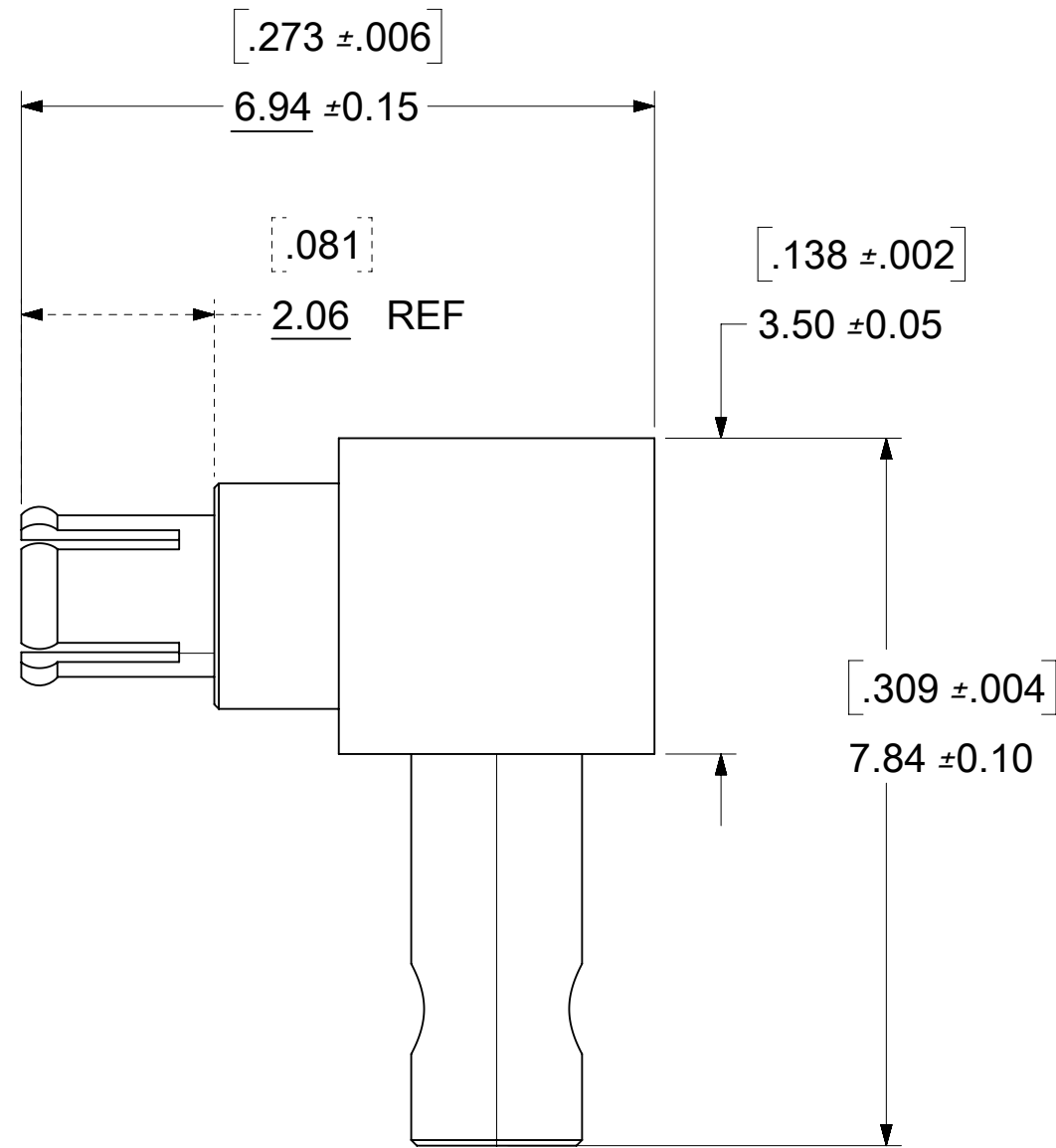
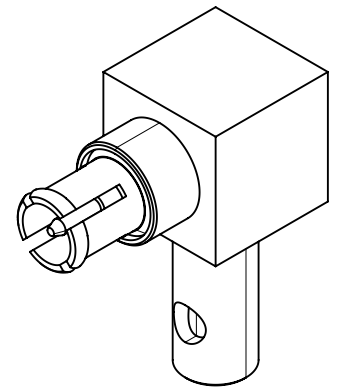
PART NO. 73413-0061
HOUSING
BERYLLIUM COPPER
PLATED TRI-METAL

CENTER CONTACT
BERYLLIUM COPPER
PLATED GOLD

CAP
BERYLLIUM COPPER
PLATED GOLD

OUTER CONTACT
BERYLLIUM COPPER
PLATED GOLD

INSULATOR
TEFLON



RECOMMENDED CABLE STRIP

CABLE ASSEMBLY INSTRUCTIONS:

1. STRIP CABLE
2. INSERT CABLE INTO BODY
3. SOLDER CABLE CENTER CONDUCTOR TO CENTER CONTACT
4. SOLDER CABLE TO BODY

73413-0062	SAME AS 73413-0060	ONE PER BAG
73413-0061	NON-MAGNETIC TYPE	TRAY
73413-0060	GENERAL TYPE	TRAY
PART NO.	DESCRIPTION	PACKAGING

A5	2017/10/19	REDRAWN; ADD PKG FOR -0060/61 PER RF17-E122
REV.	DATE	DESCRIPTION

THIS DRAWING CONTAINS INFORMATION THAT IS PROPRIETARY TO MOLEX ELECTRONIC TECHNOLOGIES, LLC AND SHOULD NOT BE USED WITHOUT WRITTEN PERMISSION

EC NO: 123855 DRWN: CWEI02 CHKD: YCHENG REV: APPR:	2017/10/19	2017/11/08	GENERAL TOLERANCES (UNLESS SPECIFIED)	DIMENSION UNITS	SCALE	molex
			ANGULAR TOL ± 2.0 °	mm		
			4 PLACES ±	DRWN BY	DATE	SSMCX PLUG, R/A, 50 OHM FOR 1.32 CABLE SSMCX-PC/RA
			3 PLACES ±	JOHN	2005/03/30	
			2 PLACES ±	CHK'D BY	DATE	PRODUCT CUSTOMER DRAWING
			1 PLACE ±	KERRIE	2005/03/30	
			0 PLACES ±	APPR BY	DATE	SERIES MATERIAL NUMBER CUSTOMER 73413 SEE TABLE GENERAL MARKET
				MISEN	2005/03/30	
			DRAFT WHERE APPLICABLE MUST REMAIN WITHIN DIMENSIONS	DRAWING SIZE	THIRD ANGLE PROJECTION	DOCUMENT NUMBER SD-73413-006
				C		DOC TYPE DOC PART SHEET NUMBER PSD 001 1 OF 1