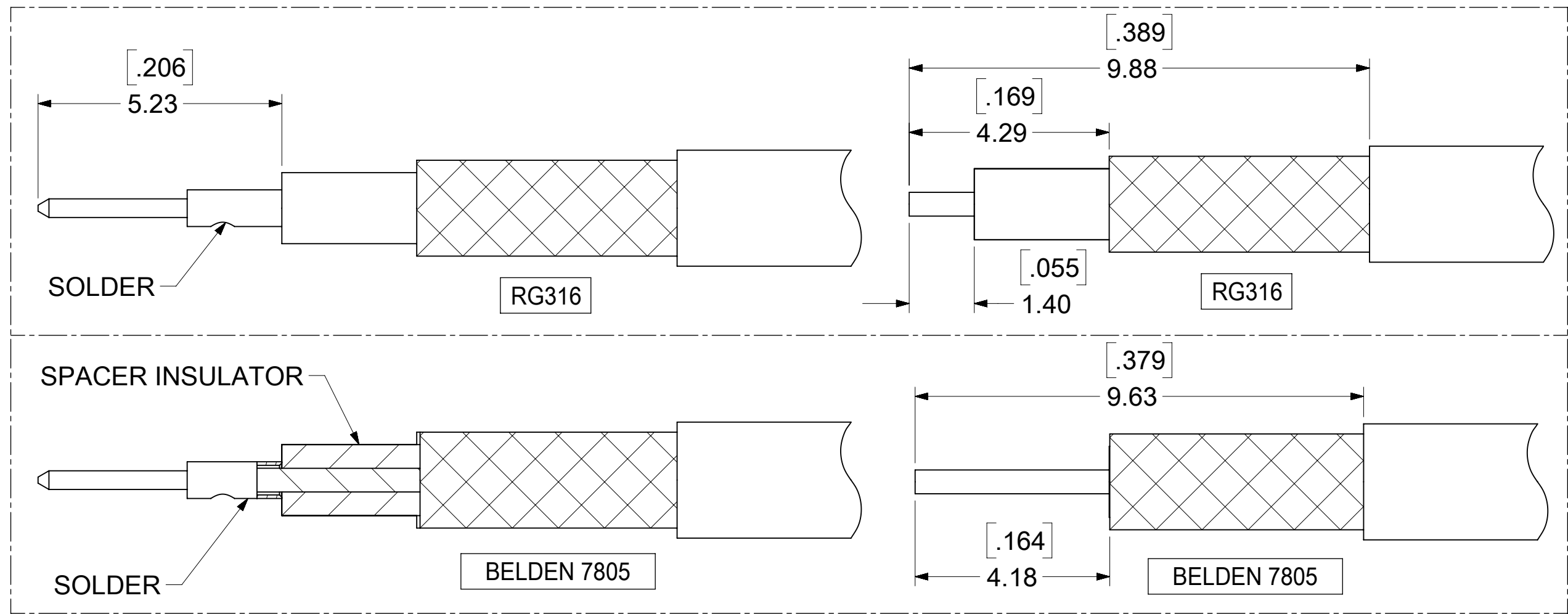
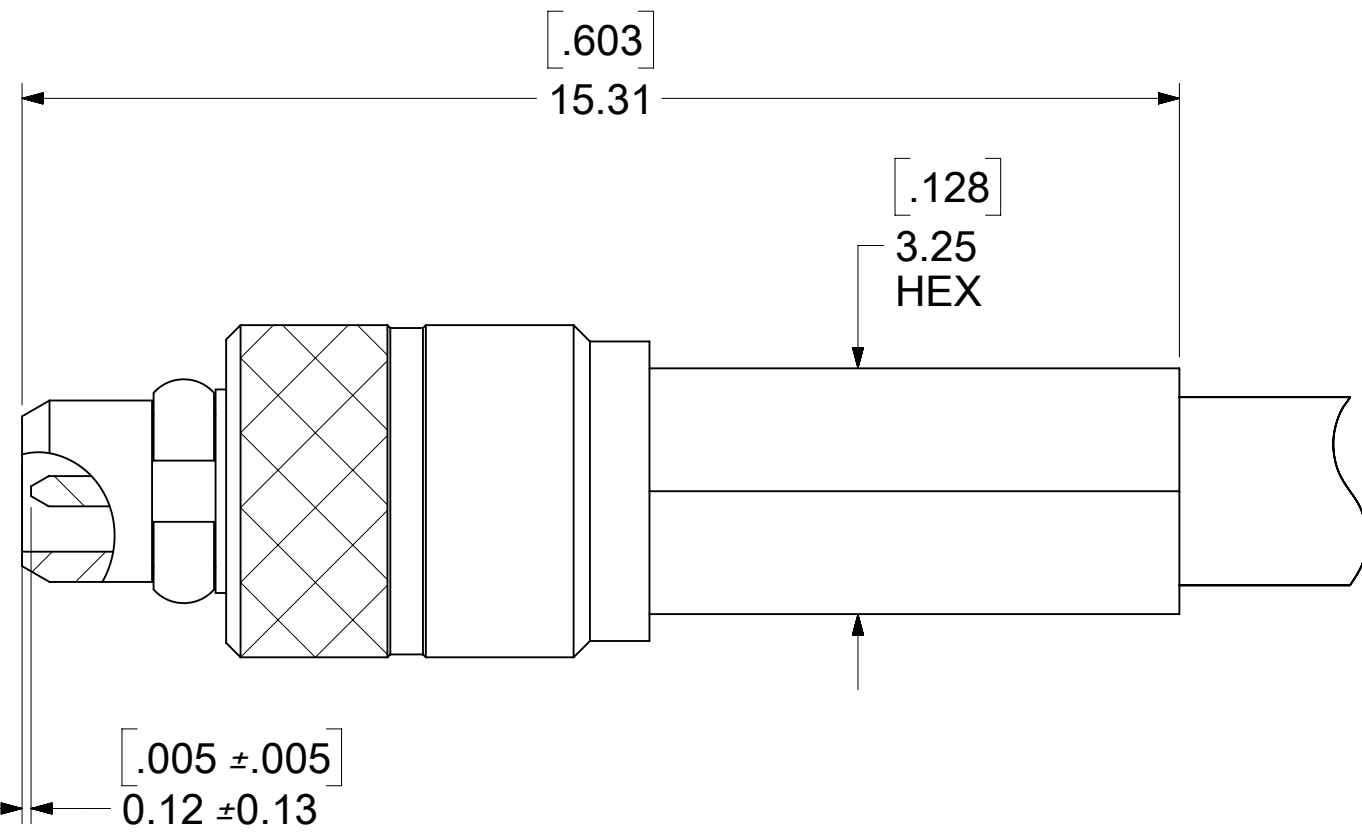
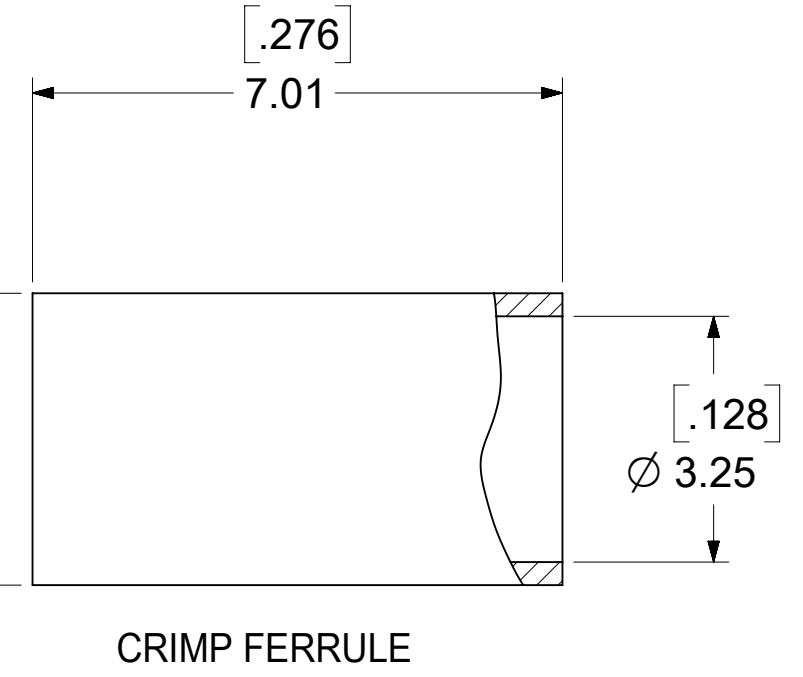
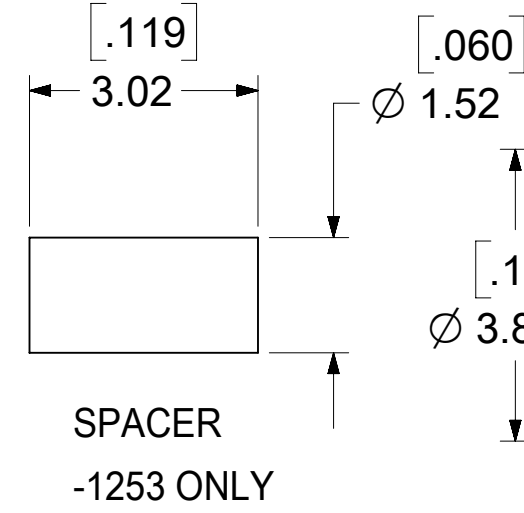
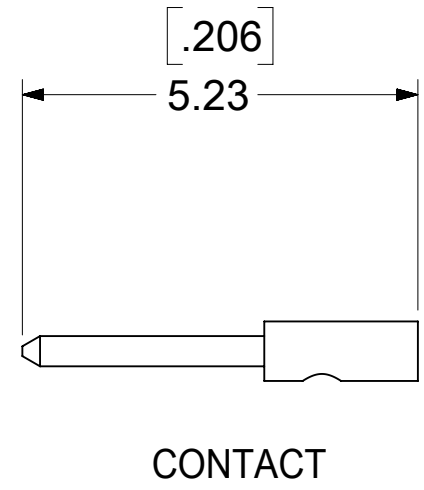
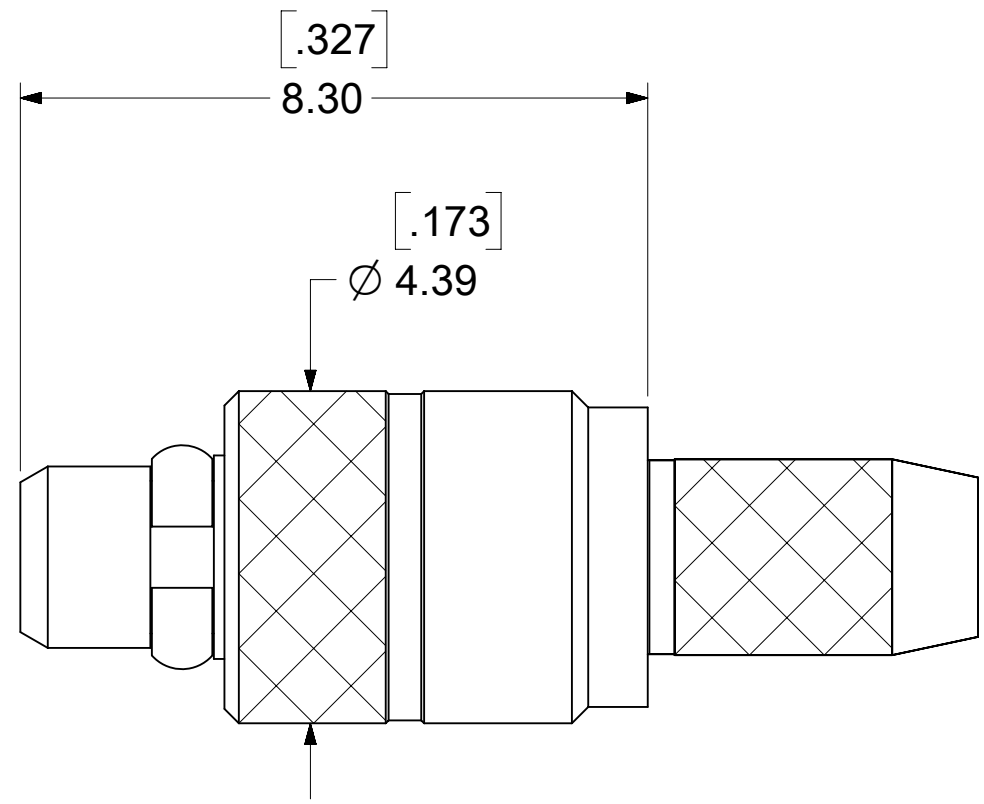


MATERIALS AND FINISHES

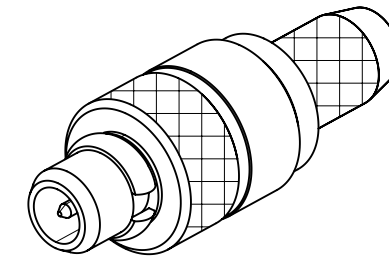
BODY BRASS  
PLATED GOLD

CENTER CONTACT BRASS  
PLATED GOLD

INSULATOR TEFLON



73415-1254	COMMERCIAL REQS	BAG
73415-1253	COMMERCIAL REQS	BAG, USING BELDEN 7805 CABLE
73415-1252	COMMERCIAL REQS	1 PIECE 73415-1251 IN SINGLE BAG WITH LABEL
73415-1251	COMMERCIAL REQS	BAG
73415-1250	MILITARY REQS	BAG
PART NO.	FINISH	PACKAGING



AS-73597-055	CABLE ASSEMBLY INSTRUCTIONS
CECC-22-340	INTERFACE
PS-89675-1920	ELECTRO/MECH PERFORM.
SPECIFICATION	DESCRIPTION

SYMBOLS	THIS DRAWING CONTAINS INFORMATION THAT IS PROPRIETARY TO MOLEX ELECTRONIC TECHNOLOGIES, LLC AND SHOULD NOT BE USED WITHOUT WRITTEN PERMISSION	
	DIMENSION UNITS	SCALE
▽ = 0	HYBRID	1:1
▽ = 0	GENERAL TOLERANCES (UNLESS SPECIFIED)	
▽ = 0	ANGULAR TOL ± 2.0°	
▽ = 0	4 PLACES ±	CURRENT REV DESC:
▽ = 0	3 PLACES ±	
▽ = 0	2 PLACES ±	EC NO: 605901
▽ = 0	1 PLACE ±	DRWN: JSU18 2018/10/15
⊠ = 0	0 PLACES ±	CHK'D: YCHENG 2018/10/17
■ = 0	DRAFT WHERE APPLICABLE MUST REMAIN WITHIN DIMENSIONS	
▽ = 0	THIRD ANGLE PROJECTION	APPR: YCHENG 2018/10/17
	DRAWING	INITIAL REVISION:
	C-SIZE	DRWN: TFLAHERTY 2005/12/22
	73415	APPR: JWIENER 2005/12/22
		SERIES
		2005/12/22
		MATERIAL NUMBER
		CUSTOMER
		SHEET NUMBER
		1 OF 1

A6	2018/10/15	ADD CABLE ASSEMBLY INSTRUCTION ON DRAWING PER EWR # 12546-A
REV	DATE	DESCRIPTION

**molex**

MMCX PLUG STRAIGHT FOR RG316 CABLE MMCX-PC

PRODUCT CUSTOMER DRAWING

DOCUMENT NUMBER: SD-73415-125 DOC TYPE: PSD DOC PART: 001 REVISION: A6

GENERAL MARKET