

PLEASE CHECK WWW.MOLEX.COM FOR LATEST PART INFORMATION

Part Number: [73415-1271](#)
Status: **Active**
Overview: MMCX Microminiature RF Connectors
Description: MMCX 50 Ohm, Edge Mount PCB Plug Receptacle, Long Body, Plating per Commercial Requirements

Documents:

[Drawing \(PDF\)](#) [RoHS Certificate of Compliance \(PDF\)](#)

General

Product Family	RF/Coax Connectors
Series	73415
Overview	MMCX Microminiature RF Connectors
Product Name	MMCX
Style	PCB
Wire/Cable Type	N/A

Physical

Cable Attachment	N/A
Gender	Plug
Keying to Mating Part	None
Orientation	Right Angle
PCB Mounting	Edge Mount
Packaging Type	Bag
Panel Mount	No
Panel Mount Method	N/A
Reverse Polar	No

Electrical

Impedance	50#
-----------	-----

Solder Process Data

Lead-free Process Capability	Reflow Capable (SMT only)
Process Temperature max. C	260

Material Info

Reference - Drawing Numbers

Sales Drawing	SD-73415-127
---------------	--------------

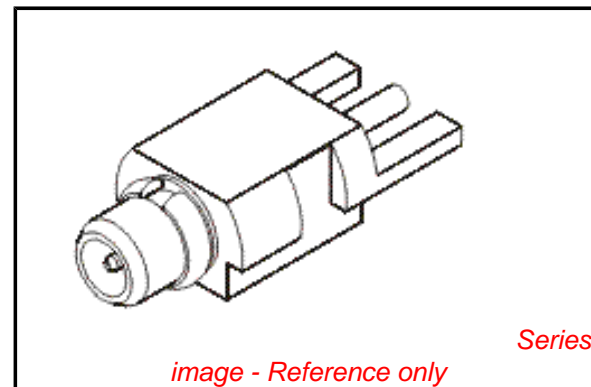


image - Reference only

EU RoHS

RoHS Compliant RF Product

REACH SVHC

Not Reviewed

Low-Halogen Status

Not Reviewed

China RoHS



Need more information on product environmental compliance?

Email productcompliance@molex.com
 For a multiple part number RoHS Certificate of Compliance, [click here](#)

Please visit the [Contact Us](#) section for any non-product compliance questions.

Search Parts in this Series

73415Series

PLEASE CHECK WWW.MOLEX.COM FOR LATEST PART INFORMATION