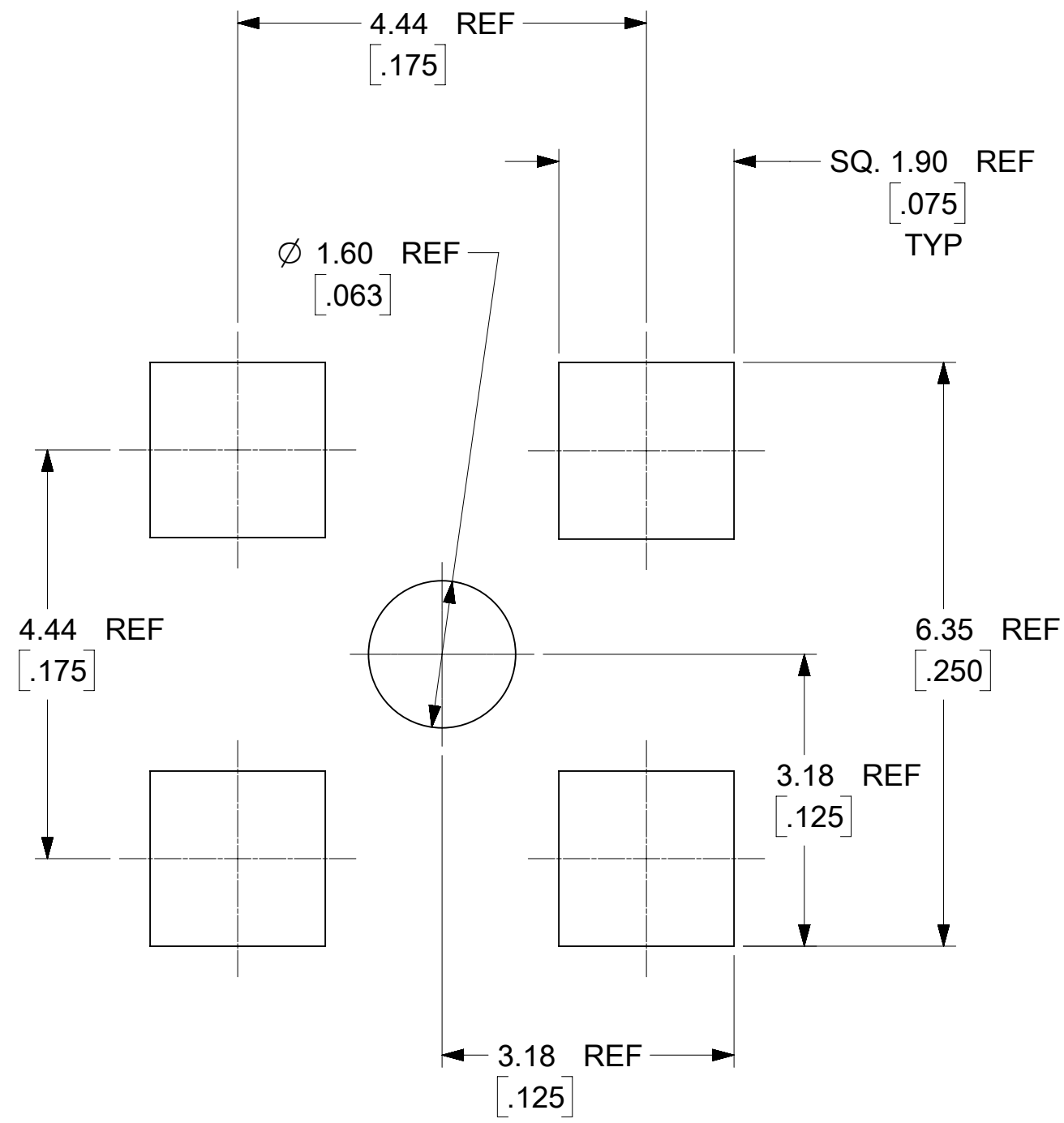
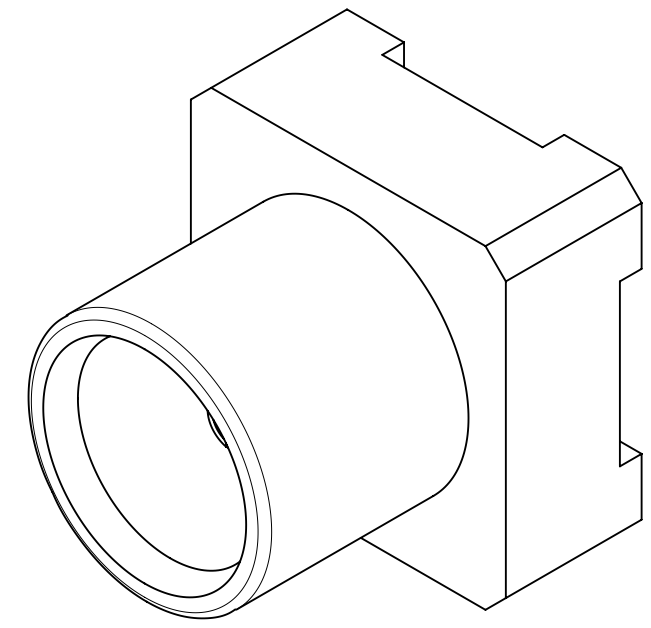


MATERIALS AND FINISHES:

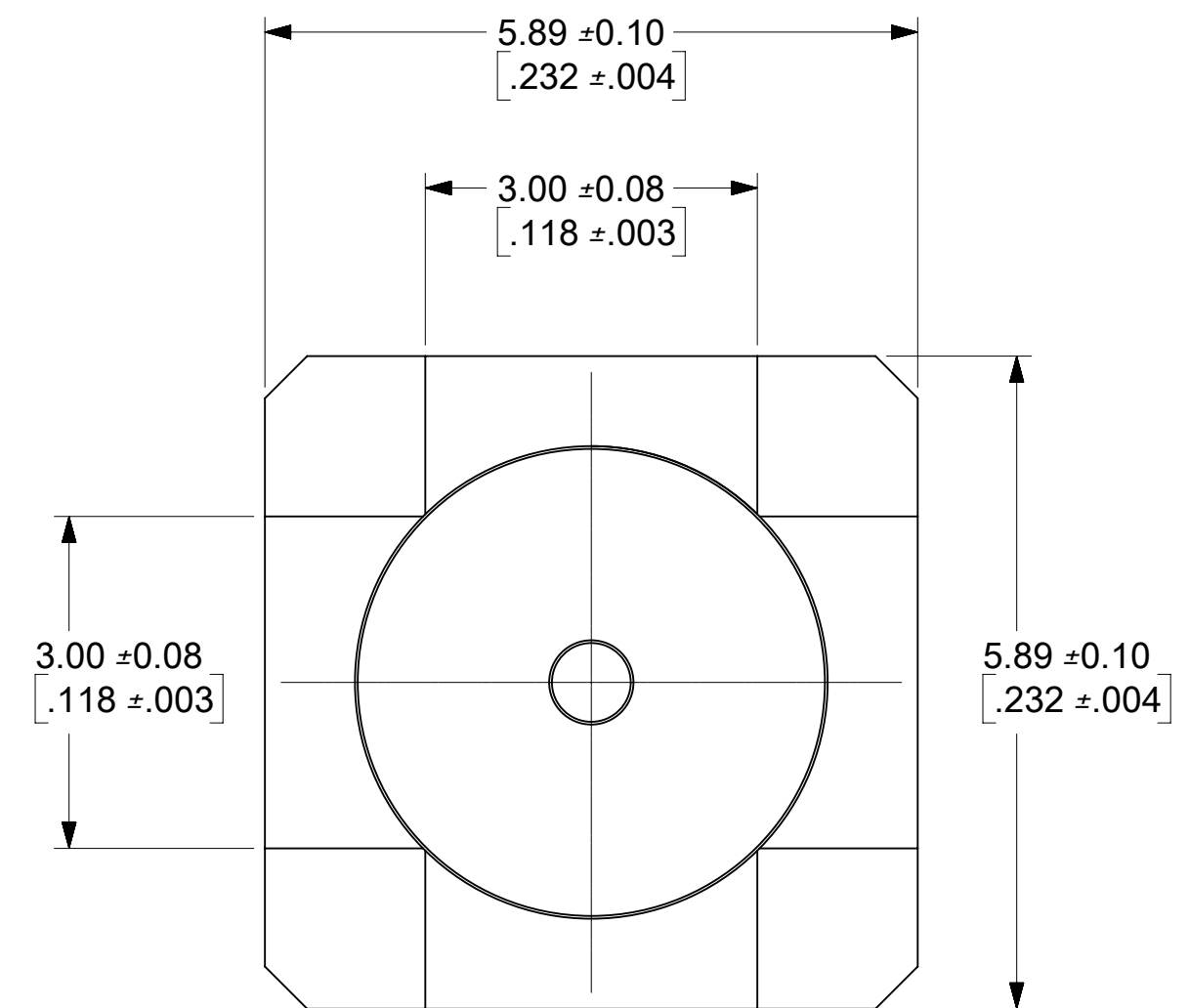
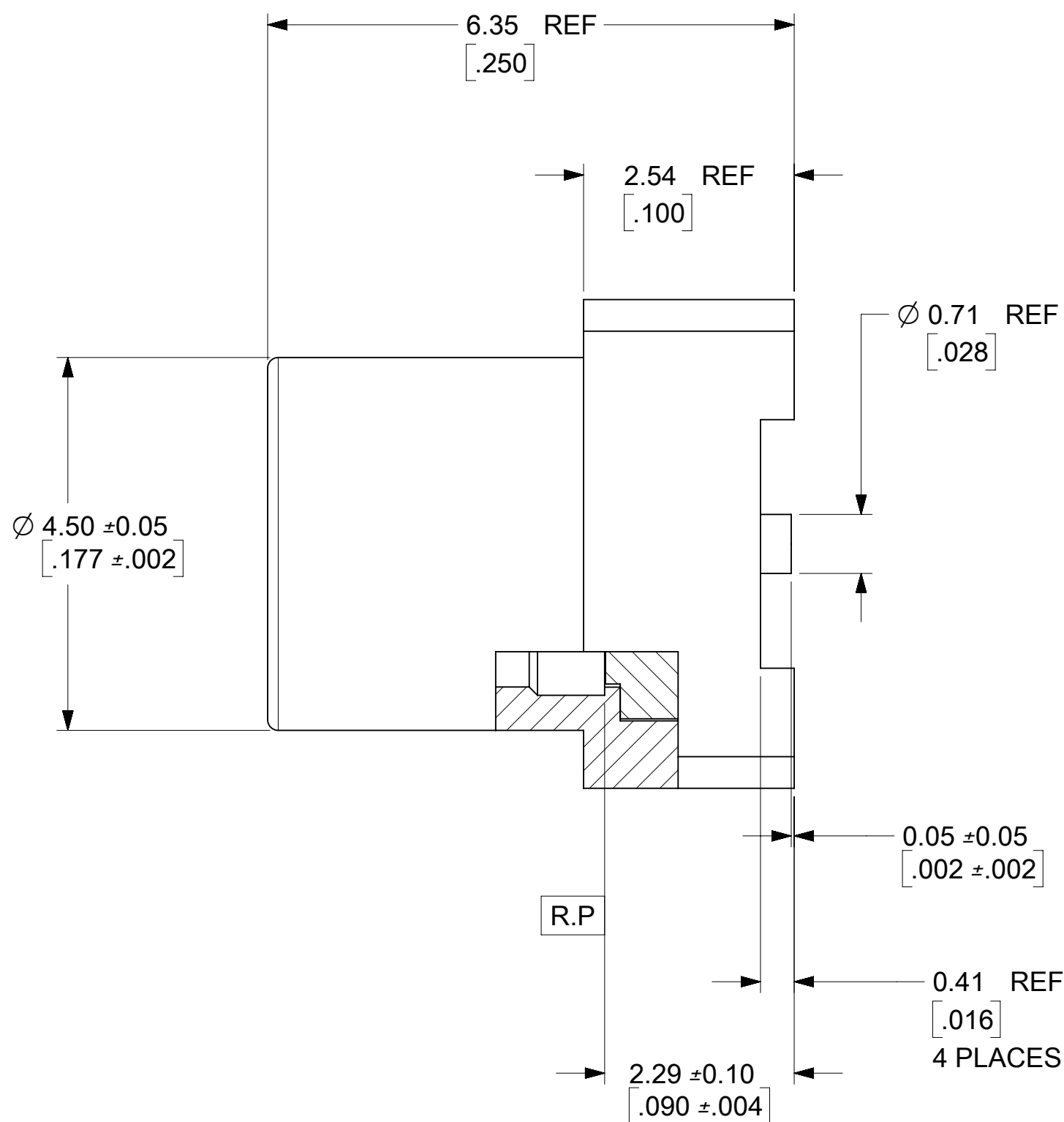
BODY: BRASS
PLATED SEE TABLE

CENTER CONTACT: BERYLLIUM COPPER
PLATED SEE TABLE

INSULATOR: PTFE



RECOMMENDED MOUTING PATTERN



THIS DRAWING CONTAINS INFORMATION THAT IS PROPRIETARY TO MOLEX ELECTRONIC TECHNOLOGIES, LLC AND SHOULD NOT BE USED WITHOUT WRITTEN PERMISSION									
SYMBOLS		DIMENSION UNITS		SCALE		CURRENT REV DESC: REMOVED STOP SIGN			
∇ = 0	MM/IN	NTS							
∇ = 0	GENERAL TOLERANCES (UNLESS SPECIFIED)								
∇ = 0		MM	INCH						
S = 0	4 PLACES	±	±			EC NO: 604797			
∇ = 0	3 PLACES	±	± 0.005			DRWN: JSU18 2018/09/21			
∇ = 0	2 PLACES	± 0.13	± 0.01			CHK'D: YCHENG 2018/10/01			
∇ = 0	1 PLACE	± 0.25	±			APPR: YCHENG 2018/10/01			
∇ = 0	0 PLACES	±	±			INITIAL REVISION:			
∇ = 0	ANGULAR TOL	± 2.0 °			DRWN: TEF 2000/01/05		DOCUMENT NUMBER		
∇ = 0	DRAFT WHERE APPLICABLE MUST REMAIN WITHIN DIMENSIONS		THIRD ANGLE PROJECTION		DRAWING		SERIES		REVISION
						C-SIZE	73415	SD-73415-163	
								PSD	001
									A9
								SEE TABLE	
								1 OF 4	

A9	2018/09/21	ADD - 1638 PART NO. PER EWR #12499-A
REV	DATE	DESCRIPTION

DOCUMENT STATUS	P1	RELEASE DATE	2018/10/01	02:13:40
-----------------	----	--------------	------------	----------

73415-1638	SEE TABLE	TAPE AND REEL (SPQ/DU 800PCS) WITH KAPTON TAPE OF 73415-1631
73415-1637	SEE TABLE	TAPE AND REEL (SPQ 800 PCS) WITHOUT KAPTON TAPE OF 73415-1630
73415-1636	SEE TABLE	TAPE AND REEL (SPQ 800 PCS) WITH KAPTON TAPE OF 73415-1630
73415-1635	SEE TABLE	P/N 73415-1631, ONE PIECE PER BAG
73415-1634	SEE TABLE	P/N 73415-1630, ONE PIECE PER BAG
73415-1633	SEE TABLE	TAPE AND REEL (SPQ 800 PCS) WITHOUT KAPTON TAPE OF 73415-1631
73415-1632	SEE TABLE	TAPE AND REEL (SPQ 800 PCS) WITH KAPTON TAPE OF 73415-1631
73415-1631	SEE TABLE	INDIVIDUAL, 100 PCS PER BAG
73415-1630	SEE TABLE	INDIVIDUAL, 100 PCS PER BAG
PART NO.	PLATING	PACKAGING

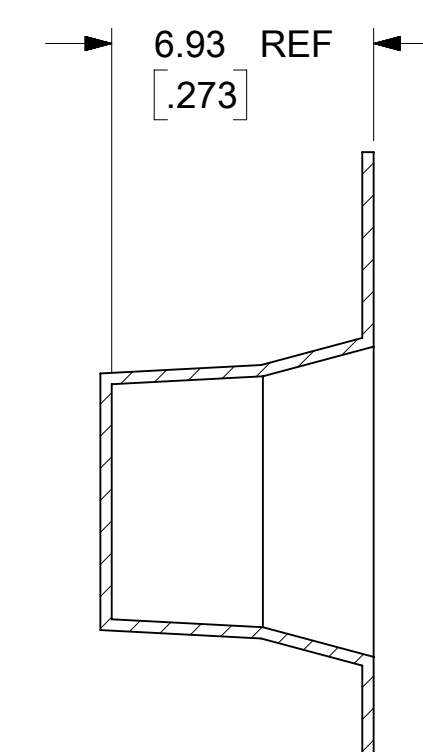
CONTACT	GOLD (10μ-in MIN)	GOLD (30μ-in MIN)
BODY	TRI-M3 (80μ-in MIN)	GOLD (10μ-in MIN)
PART NO.	73415-1630	73415-1631

THIS DRAWING CONTAINS INFORMATION THAT IS PROPRIETARY TO MOLEX ELECTRONIC TECHNOLOGIES, LLC AND SHOULD NOT BE USED WITHOUT WRITTEN PERMISSION										
SYMBOLS	DIMENSION UNITS		SCALE		CURRENT REV DESC: REMOVED STOP SIGN					
	INCH		NTS							
▽ = 0	GENERAL TOLERANCES (UNLESS SPECIFIED)				EC NO: 604797 DRWN: JSU18 2018/09/21 CHK'D: YCHENG 2018/10/01 APPR: YCHENG 2018/10/01					
▽ = 0										
▽ = 0	4 PLACES ±		±		INITIAL REVISION: DRWN: DRWN BY XXXX/XX/XX APPR: APPR BY XXXX/XX/XX					
▽ = 0	3 PLACES ±		± 0.005							
▽ = 0	2 PLACES ±		± 0.13 ± 0.01		DOCUMENT NUMBER SD-73415-163 DOC TYPE PSD DOC PART 001 REVISION A9					
▽ = 0	1 PLACE ±		± 0.25 ±							
▽ = 0	0 PLACES ±		±		MATERIAL NUMBER CUSTOMER SHEET NUMBER 2 OF 4					
▽ = 0	ANGULAR TOL ±		± 2.0 °							
▽ = 0	DRAFT WHERE APPLICABLE MUST REMAIN WITHIN DIMENSIONS				THIRD ANGLE PROJECTION		DRAWING C-SIZE		SERIES 73415	

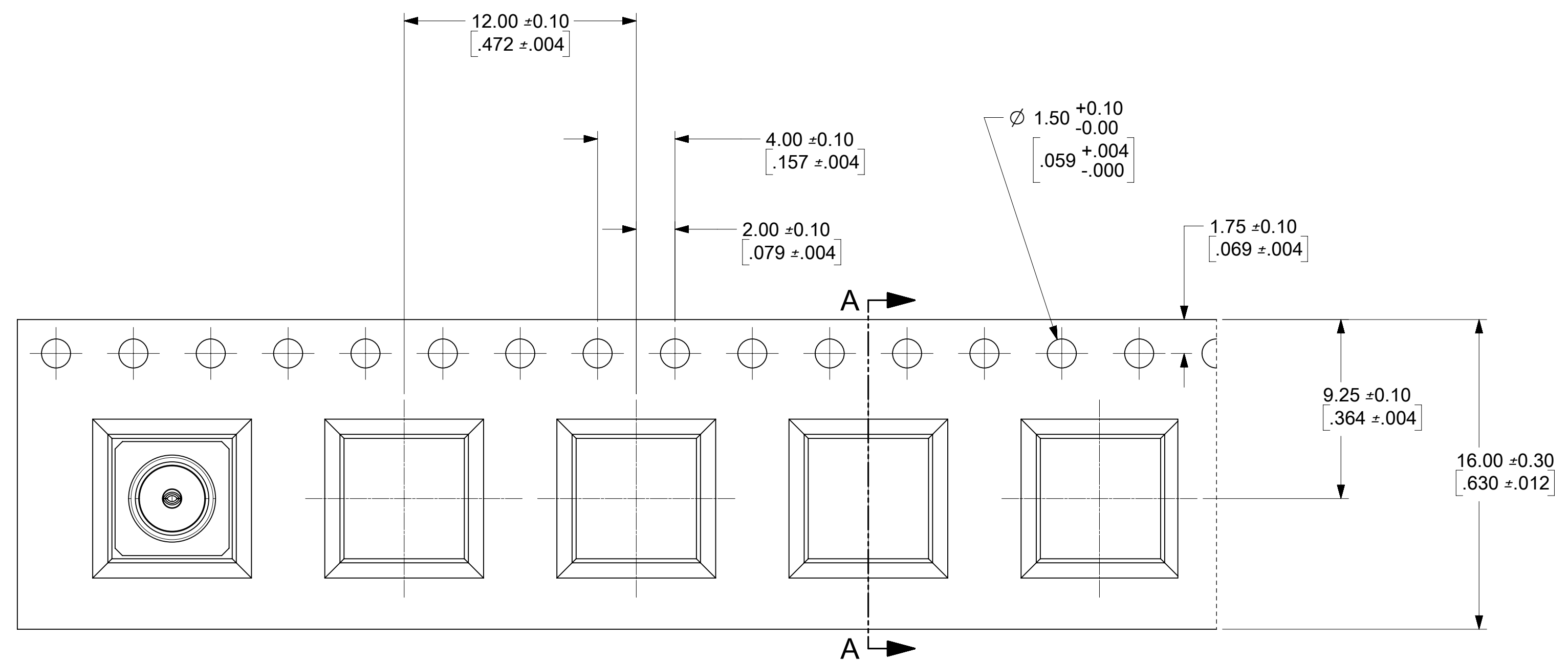
molex

MCX JACK,PCB,SMT,75 OHMS
MCX-J/PCB, EWR-11739

PRODUCT CUSTOMER DRAWING



SECTION A-A



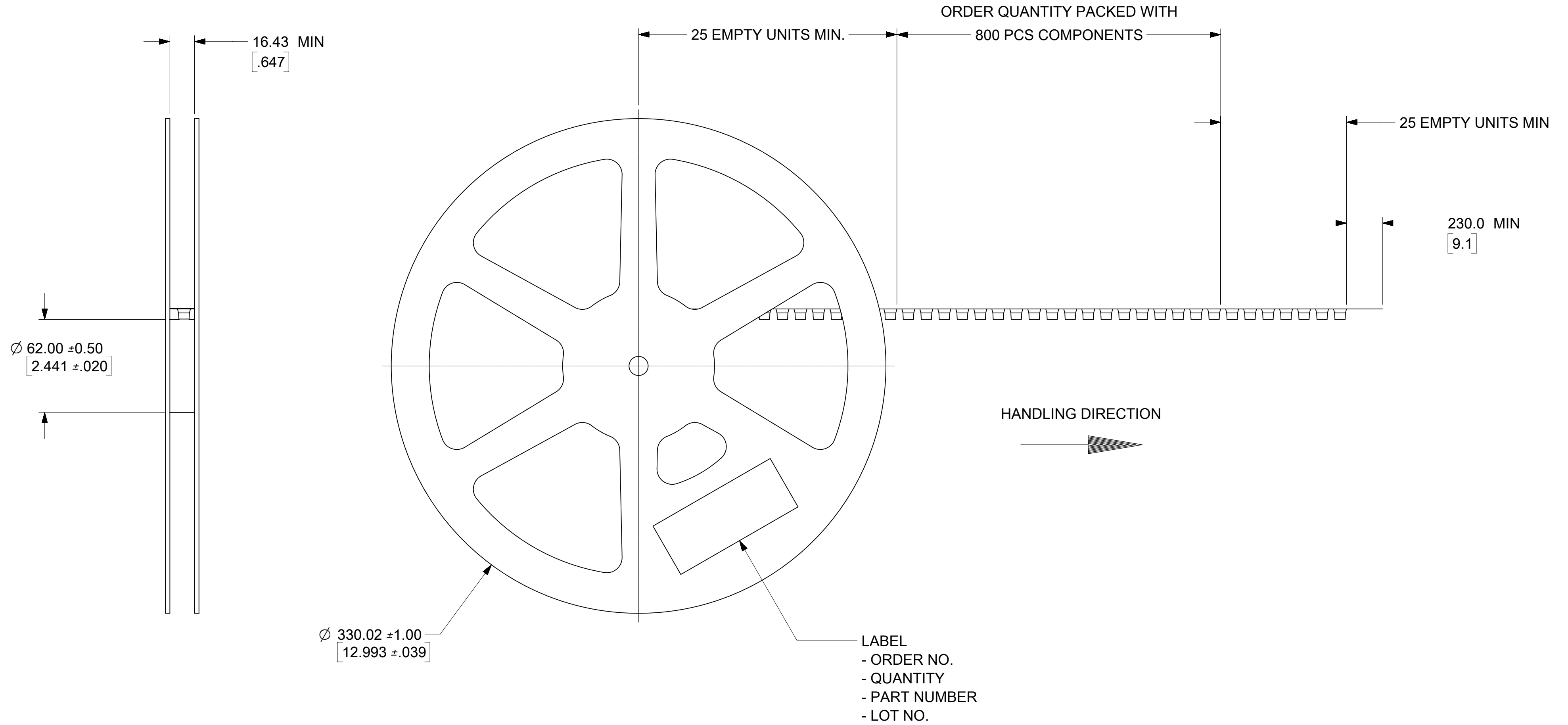
SYMBOLS	THIS DRAWING CONTAINS INFORMATION THAT IS PROPRIETARY TO MOLEX ELECTRONIC TECHNOLOGIES, LLC AND SHOULD NOT BE USED WITHOUT WRITTEN PERMISSION			
	DIMENSION UNITS		SCALE	
∇ = 0	INCH	NTS		CURRENT REV DESC: REMOVED STOP SIGN
∇ = 0	GENERAL TOLERANCES (UNLESS SPECIFIED)			
∇ = 0		MM	INCH	EC NO: 604797 DRWN: JSU18 2018/09/21 CHK'D: YCHENG 2018/10/01 APPR: YCHENG 2018/10/01
S = 0	4 PLACES ±	±	±	
∇ = 0	3 PLACES ±	± 0.005		INITIAL REVISION: DRWN: DRWN BY XXXX/XX/XX APPR: APPR BY XXXX/XX/XX
∇ = 0	2 PLACES ±	0.13	0.01	
∇ = 0	1 PLACE ±	0.25		DOCUMENT NUMBER: SD-73415-163 DOC TYPE: PSD DOC PART: 001 REVISION: A9
∇ = 0	0 PLACES ±			
∇ = 0	ANGULAR TOL ±	2.0 °		MATERIAL NUMBER: CUSTOMER: SHEET NUMBER: 3 OF 4
∇ = 0	DRAFT WHERE APPLICABLE MUST REMAIN WITHIN DIMENSIONS			
∇ = 0	THIRD ANGLE PROJECTION	DRAWING	SERIES	
		C-SIZE	73415	

molex

MCX JACK,PCB,SMT,75 OHMS
MCX-J/PCB, EWR-11739

PRODUCT CUSTOMER DRAWING

PART NO. 73415-1636
 13" REEL SIZE FOR 800 PIECES



SYMBOLS	THIS DRAWING CONTAINS INFORMATION THAT IS PROPRIETARY TO MOLEX ELECTRONIC TECHNOLOGIES, LLC AND SHOULD NOT BE USED WITHOUT WRITTEN PERMISSION			
	DIMENSION UNITS		SCALE	
∇ = 0	INCH	NTS		CURRENT REV DESC: REMOVED STOP SIGN
∇ = 0	GENERAL TOLERANCES (UNLESS SPECIFIED)			
∇ = 0		MM	INCH	EC NO: 604797 DRWN: JSU18 2018/09/21 CHK'D: YCHENG 2018/10/01 APPR: YCHENG 2018/10/01
S = 0	4 PLACES ±	±	±	
∇ = 0	3 PLACES ±	± 0.005		INITIAL REVISION: DRWN: DRWN BY XXXX/XX/XX APPR: APPR BY XXXX/XX/XX
∇ = 0	2 PLACES ±	± 0.13	± 0.01	
∇ = 0	1 PLACE ±	± 0.25	±	DOCUMENT NUMBER SD-73415-163 MATERIAL NUMBER CUSTOMER SHEET NUMBER PSD 001 A9 4 OF 4
∇ = 0	0 PLACES ±	±	±	
∇ = 0	ANGULAR TOL ±	± 2.0 °		THIRD ANGLE PROJECTION DRAWING SERIES C-SIZE 73415
∇ = 0	DRAFT WHERE APPLICABLE MUST REMAIN WITHIN DIMENSIONS			

molex

MCX JACK,PCB,SMT,75 OHMS
 MCX-J/PCB, EWR-11739

PRODUCT CUSTOMER DRAWING