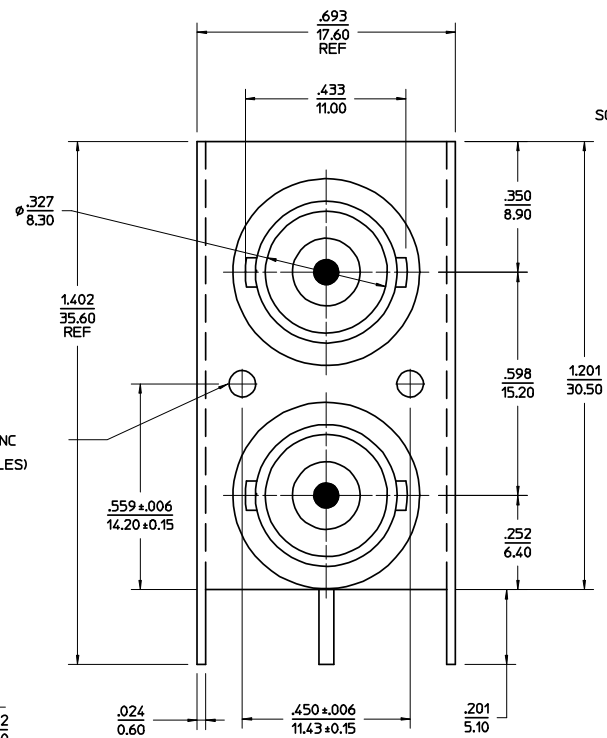
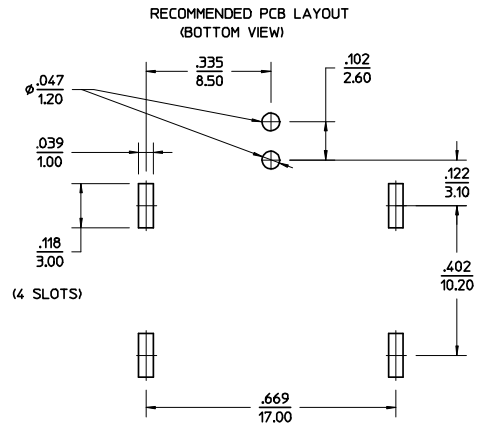
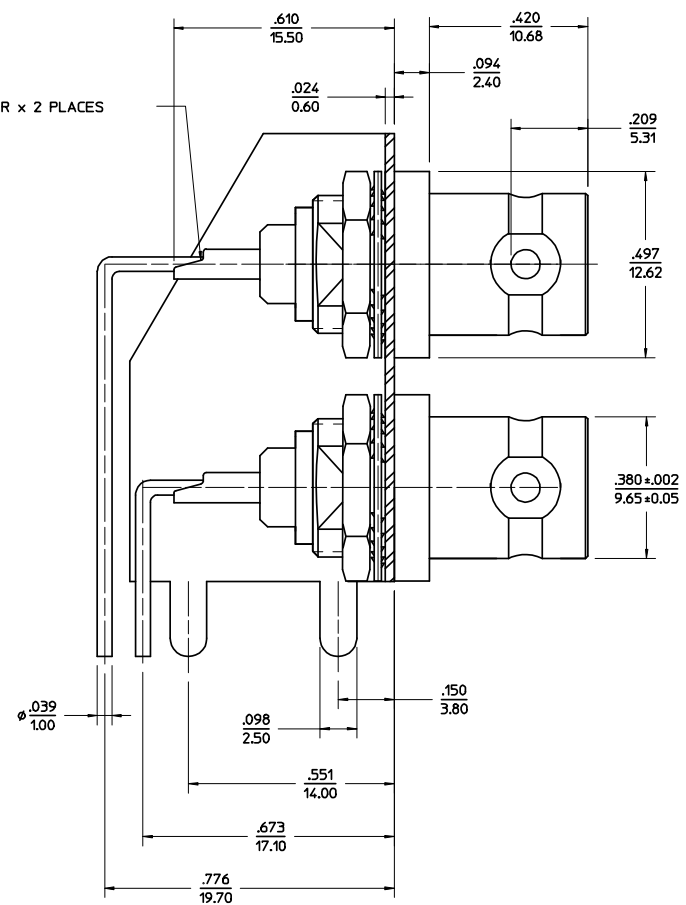


MATERIALS AND FINISHES

- J BODY BRASS  
PLATED NICKEL
- CENTER CONTACT PHOSPHOR BRONZE  
PLATED GOLD
- I INSULATOR P.P
- LOCK WASHER PHOSPHOR BRONZE  
PLATED NICKEL
- H NUT BRASS  
PLATED NICKEL
- BRACKET SPCC  
PLATED NICKEL
- G GROUNDING COPPER OVER STEEL WIRE  
PLATED TIN



SOLDER x 2 PLACES



PART #: 73415-2980  
PACKAGING: TRAYS

PART#: 73415-2981  
PACKAGING: 1 PC 73415-2980 PER BAG

CHG: Ø12.62 WAS  
Ø12.70.  
EC NO: URF2009-0015  
DRAWN: ARBERTSON 2008/07/10  
CHKD: SSS 2008/07/10  
APPR: JMLENER 2008/07/10

QUALITY SYMBOLS ▽=0 ▽=0	GENERAL TOLERANCES (UNLESS SPECIFIED)		DIMENSION STYLE IN/MM		SCALE ---	DESIGN UNITS INCH	THIRD ANGLE PROJECTION
	mm	INCH	DRAWN BY CLAIRE LI	DATE 2001/04/16	TITLE BNC JACK, 50 OHM DUAL STACK BNC-J/PCB		
	4 PLACES ± --- ± ---	3 PLACES ± --- ± ---	CHECKED BY	DATE	APPROVED BY DATE 2001/03/14		
	2 PLACES ± --- ± ---	1 PLACE ± --- ± ---	ANGULAR ±1/2°		MATERIAL NO. DOCUMENT NO.		
DRAFT WHERE APPLICABLE MUST REMAIN WITHIN DIMENSIONS		SEE TABLE		SD-73415-298			SHEET NO. 1 OF 1
THIS DRAWING CONTAINS INFORMATION THAT IS PROPRIETARY TO MOLEX INCORPORATED AND SHOULD NOT BE USED WITHOUT WRITTEN PERMISSION							